

MTR* 90



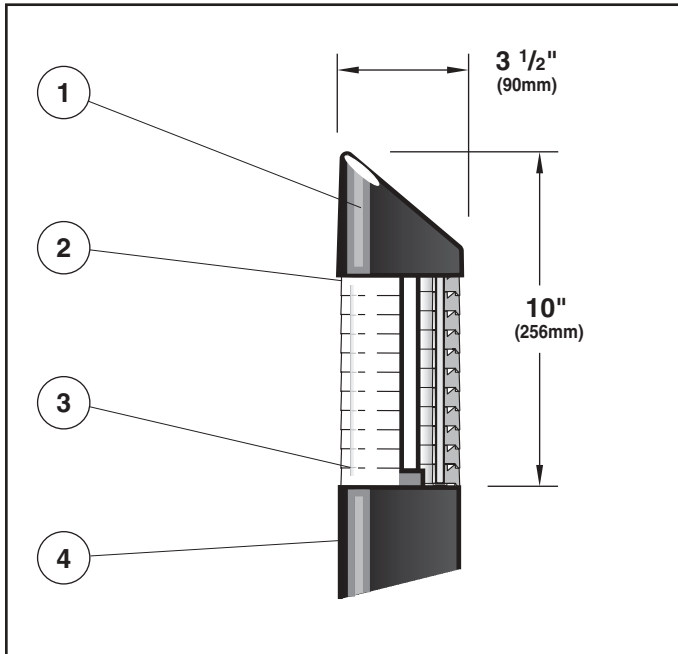
Project: _____

Type: _____ **Qty:** _____

_____ - _____ - _____ - _____ - _____ - _____
 Series Height Lamp Type / Wattage Finish Voltage Option

Series	Height	Lamp Type / Wattage	Finish	Voltage	Options
B90 MTR*90 Bollard	2 2' (.6m)	T 13 13w Twin tube fluorescent	WH White	120	HS House Side Shield (180)
	3 3' (.9m)	Q 18 18w Quad fluorescent	BK Black	277	
W90 MTR*90 Wall	4 4' (1.2m)	Q 26 26w Quad fluorescent	BZ Bronze	347	Consult factory for details
	or specify custom height Wall Mounting see page 2		SV Silver SP Specify RAL#		

* US Patent No. 4,669,034



1. Fixture Cover - Die-cast aluminum cover, with round angled form. Thick-walled aluminum cover is painted white on the interior for maximum luminaire efficiency. Removes by loosening two, vandal-resistant, stainless steel set screws for easy access to lamp chamber.

2. Gasketing - Continuous gaskets provide weather-proofing, dust, and insect control at shielding base, fixture cover and between MTR rings.

3. Shielding - Injection-molded acrylic multi-prisms for total reflection (MTR). MTR rings are patterned after the light bending characteristics of a prism. Rings are secured to die-cast aluminum fitter. Additional small reflector is available for asymmetrical light distribution. Consult factory for information.

4. Column - Extruded, thick-walled aluminum, minimum wall thickness 0.110" (3mm). Column houses cold weather ballast.

5. Column Fitter - (Not shown) Die-cast aluminum fitter holds ballast assembly and lamp socket. Fastened to column with three, vandal-resistant, stainless steel, countersunk screws. Column fitter removal allows access to ballast assembly.

6. Ballast - (Not shown) Electronic, high power factor, class P, type A sound rating. Specify 120v, 277v, or 347v. Consult factory for more detailed ballast information. Lamp provided by others.

7. Lamp - (Not shown) For use with compact fluorescent lamps. T13W single end 2 pin base GX23; and Q18w and Q26w single end 4 pin base G24q. Lamp by others.

8. Fixture Mount - (shown on p.2) Column is mounted to hot-dipped, galvanized steel, direct burial tube, anchored 12" deep for increased rigidity and strength.

Exterior Luminaire Finish - SELUX utilizes a high quality Polyester Powder Coating. All SELUX luminaires and poles undergo a five stage intensive pretreatment process where product is thoroughly cleaned, phosphated and sealed. SELUX powder coated products provide excellent salt and humidity resistance as well as ultra violet resistance for color retention. All products are tested in accordance with test specifications for coatings from ASTM and PCI.

Standard exterior colors are White (WH), Black (BK), Bronze (BZ), and Silver (SV). RAL colors (SP) are available, please specify RAL#.#.

In a continuing effort to offer the best product possible, we reserve the right to change, without notice, specifications or materials that in our opinion will not alter the function of the product. Specification sheets found at www.selux.com/usa are the most recent versions and supercede all other printed or electronic versions.



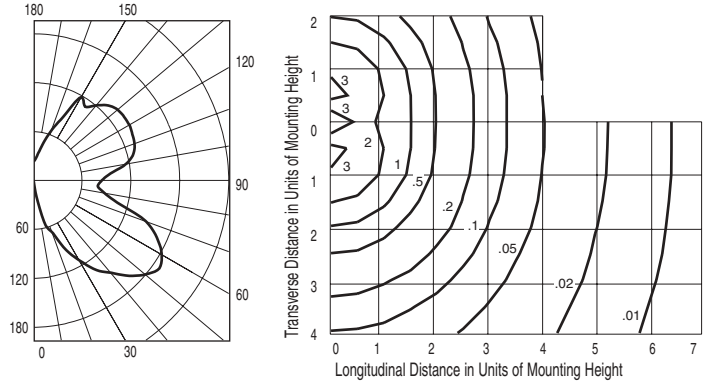
*Union Made
Affiliated with
IBEW Local 363*

SELUX Corp. © 2002
 PO Box 1060, 5 Lumen Lane
 Highland, NY 12528
 TEL: (845) 691-7723
 FAX: (845) 691-6749
 E-mail: seluxus@selux.com
 Web Site: www.selux.com/usa
 MTR90-0403-01 (ss-V3.1)

MTR Refractor

Catalog # B90-3-Q26
ITL Report # 40307

- Innovative multi-prisms for total reflection incorporates light-bending characteristics of a prism. US patent no. 4,669,034.
- Directs light precisely with minimum intensity at critical viewing angles.
- Blends efficiency with visual comfort.
- Maximum candela of 193 at 55° from vertical.

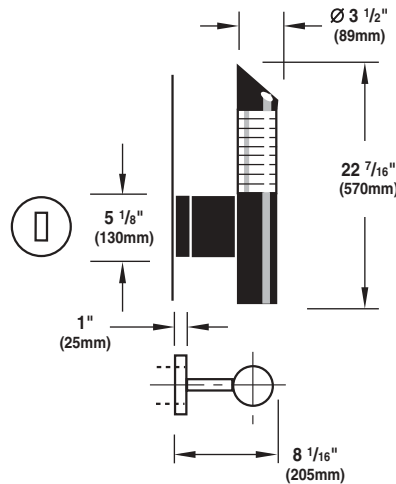


Lamp Prorate Table		
Fluorescent		
Wattage	Factor	Initial Lumens
13	0.50	900
18	0.69	1250
26	1.00	1800

Conversion Chart	
Values based on 3' (.9m) mounting height	
Mounting Height	Multiply
2.0' (.6m)	2.25
2.5' (.8m)	1.44
3.0' (.9m)	1.00
3.5' (1.1m)	0.73
4.0' (1.2m)	0.56

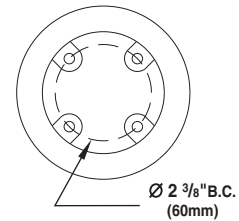
Wall Mount Information

Die cast aluminum wall mount arm with die-cast aluminum canopy. Secured to wall with 1/4" (6mm) threaded fasteners supplied by others.

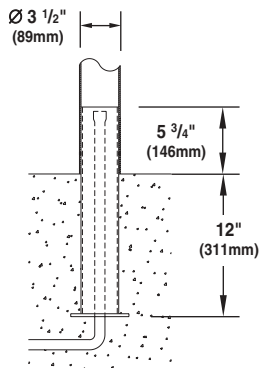


Wall Arm Mounting Detail

(Conduit and mounting hardware by others.)

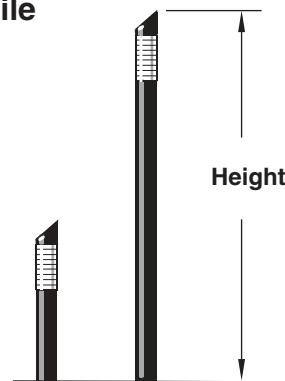


Anchorage Information



Concrete footing to be designed and installed by others.

Profile



In a continuing effort to offer the best product possible, we reserve the right to change, without notice, specifications or materials that in our opinion will not alter the function of the product. Specification sheets found at www.selux.com/usa are the most recent versions and supercede all other printed or electronic versions.