

Stradex 700

se'lux®



Construction

- Precision die-cast aluminum fixture body and mounting arm
- Hinged die-cast access door opens gently with gas loaded dampening cylinder and one-handed snap latch
- Completely sealed optic chamber

Lamping/Optics

- H.I.D. lamping 175w to 400w
- Type II and III distributions
- High performance mirror optic systems
- Full Cutoff classification with 0° Dark Sky tilt option

Design Options

- Choice of slip fitter mount, single, doubles, triple, quad and wall mount
- "Cometa" and "Orbita" perf form fixture body design options

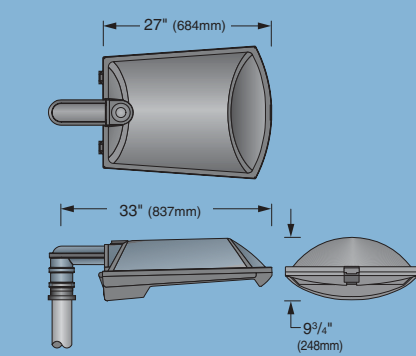
Finish

- High quality polyester powder coat (CLICK HERE FOR DETAILS)

Certifications

- UL and ULC listed
- IP 65
- ASTM and PCI for finish

STR7-xx-1B



For more configurations see Stradex 700 spec sheet at www.selux.com/usa



Ordering Matrix

For details and specifications, see current spec sheet (CLICK HERE)

Series | STR7 Stradex 700

Reflector | R2 Type II Reflector | R3 Type III Reflector

Mounting | F Horizontal Slip Fitter (2³/₈") | 1B Vertical Slip Fitter (3") | S1 Single Arm | S2 Double Arm (180°) | S2L Double Arm (90°) | S3L Triple Arm (90°) | S4 Quad Arm | L1 Single 48" Arm | L2 Double 48" Arm | W Wall Mount

Lamping MH | H175 1750w | H250 250w | H400 400w

Lamping HPS | S200 200w | S250 250w | S400 400w

Voltage | 120 | 208 | 240 | 277 | 347

Finish | BK Black | WH White | BZ Bronze | SV Silver | SP Specify RAL#

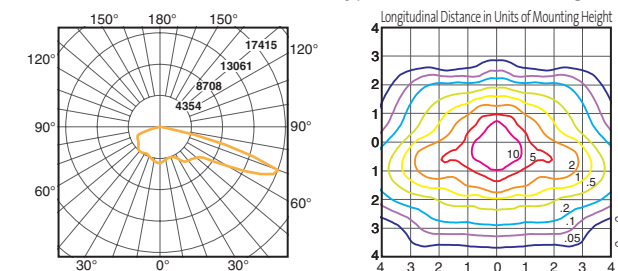
Options | PC Photocell | DS 0° Tilt Dark Sky Option

[CLICK HERE FOR POLE INFO.](#) [CLICK HERE FOR MOUNTING ARM INFO.](#) [CLICK HERE FOR LAMP INFO.](#)

Photometry

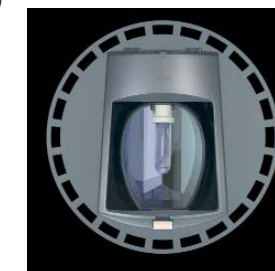
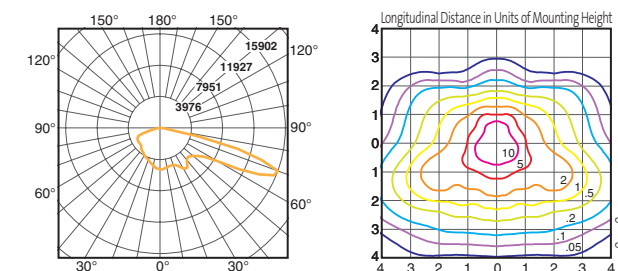
Design Options

STR7-R2-xx-H175-xx-xx-DS (Type II Full Cutoff/mounting ht.=16')



Cometa - Rectangular Perf Form
(consult factory for details)

STR7-R3-xx-H175-xx-xx-DS (Type III Full Cutoff/mounting ht.=16')



Orbita - Round Perf Form
(consult factory for details)

For more options, see our website at www.selux.com/usa