

SILL® Cityliter™ 150



Project: _____

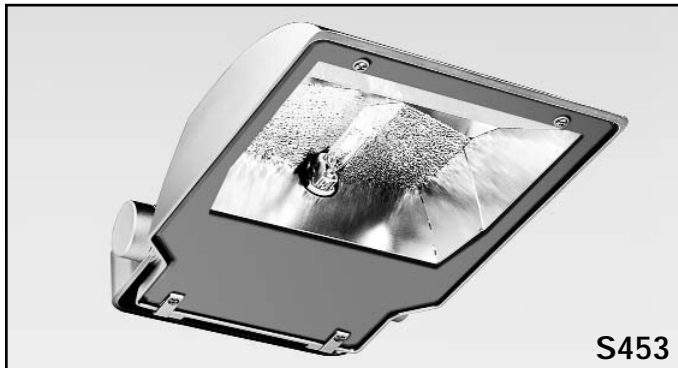
Type: _____ Qty: _____

Fixture Series	Mounting	Reflector	Lamp Type/Wattage	Lamp Color	Finish	Voltage	Options
_____	_____	_____	_____	_____	_____	_____	_____
Pole Series	Height	Finish	Options				
_____	_____	_____	_____ T3 _____				

Series	Mounting	Reflector	Lamp Type / Wattage	Lamp Color	Finish	Voltage	Options
S453 SILL® Cityliter™ 150 Yoke Mount	1 Single	3M Wide Beam	<u>Metal Halide - Ceramic, Medium Base ED17*</u>	830 3000° K NOL Lamp not included	WH White BK Black BZ Bronze SV Silver SP Specify RAL#	120 277	DS 0° Fixed Position (Full Cutoff) RB Remote Ballast included in fixture
		9M Batwing					
S454 SILL® Cityliter™ 150 Arm Mount	1 Single 2 Double W Wall / Ceiling	3M Wide Beam	<u>HPS - Medium Base ED17*</u>	XXX Not Applicable NOL Lamp not included			RB-S902 Separate Remote Ballast Box
		9M Batwing					
		3T Wide Beam	<u>Metal Halide - Ceramic, G12 Base T6</u>	830 3000° K NOL Lamp not included			
		9T Batwing					
		5D Narrow Beam	<u>Metal Halide - Ceramic, Double Ended Base</u>	830 3000° K NOL Lamp not included			
		6D Wide Beam					
3F Wide Beam	<u>Single Compact Fluorescent</u>	830 3000° K NOL Lamp not included					
9F Batwing							
5Q Narrow Beam	<u>Quartz Halogen - Double Ended Base</u>	XXX Not Applicable NOL Lamp not included					
6Q Wide Beam							

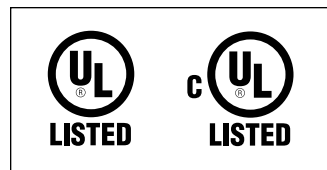
*Lamping requires remote ballast

**Halogen lamps only available in 120v.



SELUX Corp. © 2003
 PO Box 1060, 5 Lumen Lane
 Highland, NY 12528
 TEL: (845) 691-7723
 FAX: (845) 691-6749
 E-mail: seluxus@selux.com
 Web Site: www.selux.com/usa
 SLCL150-0606 (ss-V1.6) page 1

IP 67 Certified



Union Made
 Affiliated with
IBEW Local 363

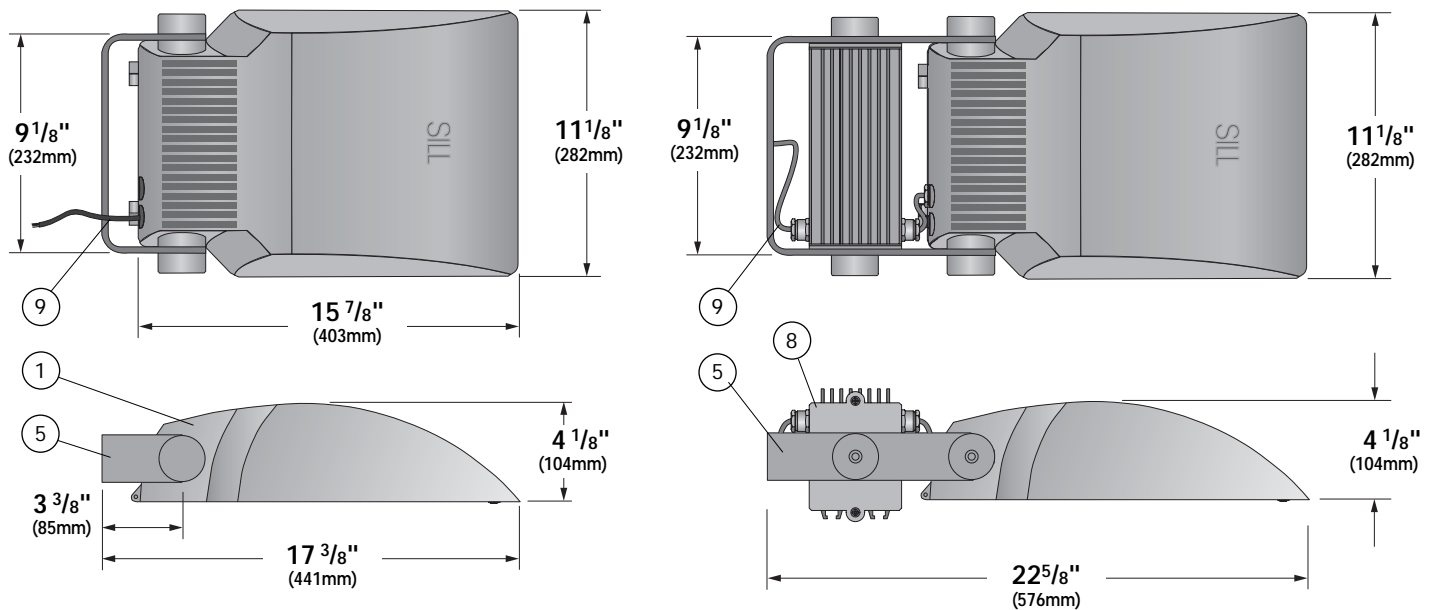
In a continuing effort to offer the best product possible, we reserve the right to change, without notice, specifications or materials that in our opinion will not alter the function of the product. Specification sheets found at www.selux.com/usa are the most recent versions and supersede all other printed or electronic versions.

Cityliter™ 150 Yoke Mount

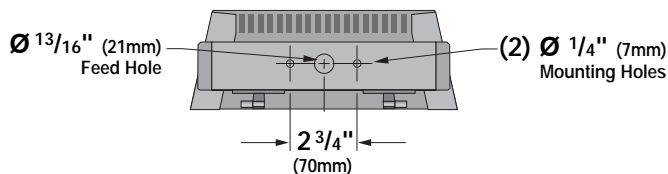


S453 Specifications

(shown with RB - Remote Ballast)



Back view showing mounting bracket detail (version w/RB-Remote Ballast similar)



SCALE = 1 : 8

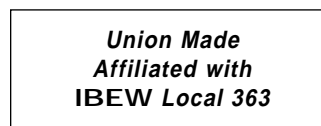
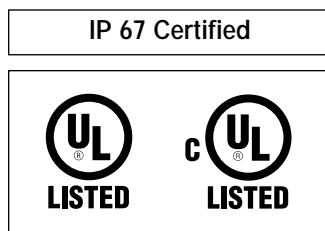
- 1. Fixture Housing** - Die cast aluminum fixture housing with integral heat dissipating fins.
- 2. Gasketing** - (not shown) Continuous molded silicone gasket provides seal at door and glass opening.
- 3. Lamp** - (not shown) Appropriate lamp supplied with fixture, refer to distribution pages for lamp details.
- 4. Access Door** - (not shown) Tempered glass door, hinged with integral die cast hinges, and secured with captive stainless steel hardware for ease of maintenance.

- 5. Mounting Bracket** - Precision mounting yoke, with recessed bolt locks, allowing yoke to be secured to structure prior to mounting fixture. Supplied with decorative caps to conceal fixture mounting hardware.
- 6. Socket** - (not shown) Refer to distribution pages for applicable socket information.
- 7. Ballast** (Reflectors 3T, 9T, 5D, 6D, 3F & 9F) - (not shown) Supplied with electronic ballast integrated behind reflector within fixture housing. Magnetic ballasts are available, please consult factory for availability, and specific ballast details. Fixtures w/3M & 9M Reflector require option **RB** Remote Ballast.

- 8. Remote Ballast** - (option **RB** required with Reflectors 3M and 9M) Electronic ballast held within die-cast aluminum ballast housing that is secured between arms of fixture mounting yoke. Magnetic ballasts are available, please consult factory for availability, and specific ballast details.
- 9. Cord** - 18-3 STWA power cord supplied 3 ft. long. Secured to fixture with watertight strain relief. Other cord lengths are available, consult factory.
- 10. Certifications** - Fixtures are supplied standard with UL and CUL for wet locations, IP 67 certified, CIE listing is also available (for applications outside of North America, please consult factory for details).

Exterior Luminaire Finish - SELUX utilizes a high quality Polyester Powder Coating. All SELUX luminaires and poles undergo a five stage intensive pre-treatment process where product is thoroughly cleaned, phosphated and sealed. SELUX powder coated products provide excellent salt and humidity resistance as well as ultra violet resistance for color retention. All products are tested in accordance with test specifications for coatings from ASTM and PCI. Standard exterior colors are White (WH), Black (BK), Bronze (BZ), and Silver (SV). RAL colors (SP) are available, please specify RAL #.

SELUX Corp. © 2003
 PO Box 1060, 5 Lumen Lane
 Highland, NY 12528
 TEL: (845) 691-7723
 FAX: (845) 691-6749
 E-mail: seluxus@selux.com
 Web Site: www.selux.com/usa
 SLCL150-0606 page 2

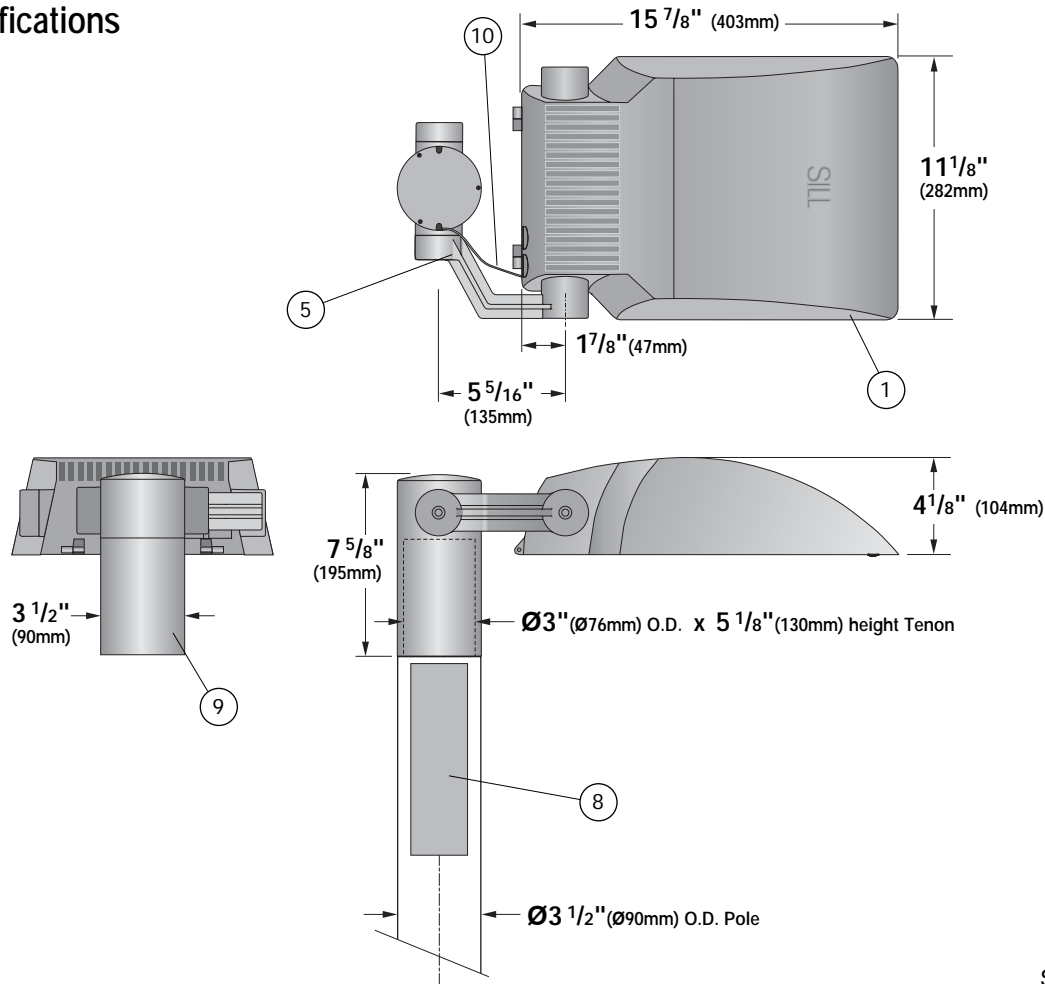


In a continuing effort to offer the best product possible, we reserve the right to change, without notice, specifications or materials that in our opinion will not alter the function of the product. Specification sheets found at www.selux.com/usa are the most recent versions and supercede all other printed or electronic versions.

Cityliter™ 150 Arm Mount

selux®

(S454) Specifications



SCALE = 1 : 8

- 1. Fixture Housing** - Die cast aluminum fixture housing with integral heat dissipating fins.
- 2. Gasketing** - (not shown) Continuous molded silicone gasket provides seal at door and glass opening.
- 3. Lamp** - (not shown) Appropriate lamp supplied with fixture, refer to distribution page for lamp details.
- 4. Access Door** - (not shown) Tempered glass door, hinged with integral die cast hinges, and secured with captive stainless steel hardware for ease of maintenance.
- 5. Mounting Bracket** - Die cast aluminum mounting arm, serated

- to lock fixture into aimed position. Available in either single or double post mount, as well as wall and ceiling mount configurations.
- 6. Socket** - (not shown) Refer to distribution pages for applicable socket information.
- 7. Ballast** (Reflectors 3T, 9T, 5D, 6D, 3F & 9F) - (not shown) Supplied with electronic ballast integrated behind reflector within fixture housing. Magnetic ballasts are available, please consult factory for availability, and specific ballast details. Pole mounted fixtures with 3M or 9M Reflector require **RB** Remote Ballast. Wall/Ceiling Mount fixtures w/with 3M or 9M Reflector require option **RB-S902** Separate Remote Ballast Box (see pages 7 - 8).

- 8. Remote Ballast** - (option **RB** required for Pole Mount fixtures w/Reflector 3M or 9M) Electronic ballast suspended within pole. For magnetic ballast availability, please consult factory. For Wall/Ceiling Mount fixtures see #7.
- 9 Fitter** - Fitter for round pole mount, secured to pole with six stainless steel Allen head set screws. Fitter for 3" (76mm) tenon, O.D. of fitter is designed to be same diameter as pole for a smooth transition. Gasketed fitter cap provides access to electrical connections, and integral strain relief of pole wiring.
- 10. Safety Cable** - Stainless steel cable secures pole top cap to fixture. Cap supplied with captive hardware.
- 11. Certifications** - Fixtures are supplied standard with UL and CUL for wet locations, IP 67 certified, CIE listing is also available

(for applications outside of North America, please consult factory for details).

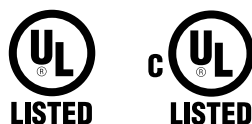
Exterior Luminaire Finish - SELUX utilizes a high quality Polyester Powder Coating. All SELUX luminaires and poles undergo a five stage intensive pre-treatment process where product is thoroughly cleaned, phosphated and sealed. SELUX powder coated products provide excellent salt and humidity resistance as well as ultra violet resistance for color retention. All products are tested in accordance with test specifications for coatings from ASTM and PCI.

Standard exterior colors are White (WH), Black (BK), Bronze (BZ), and Silver (SV). RAL colors (SP) are available, please specify RAL #.

In a continuing effort to offer the best product possible, we reserve the right to change, without notice, specifications or materials that in our opinion will not alter the function of the product. Specification sheets found at www.selux.com/usa are the most recent versions and supersede all other printed or electronic versions.

SELUX Corp. © 2003
 PO Box 1060, 5 Lumen Lane
 Highland, NY 12528
 TEL: (845) 691-7723
 FAX: (845) 691-6749
 E-mail: seluxus@selux.com
 Web Site: www.selux.com/usa
 SLCL150-0606 page 3

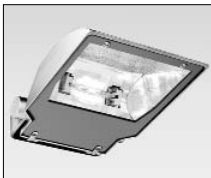
IP 67 Certified



Union Made
 Affiliated with
 IBEW Local 363

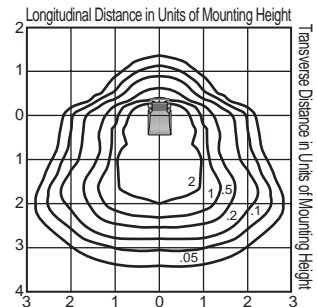
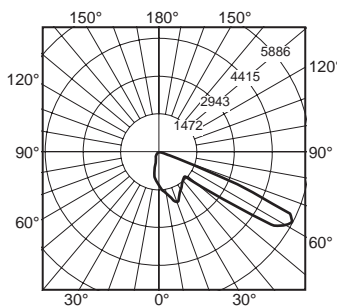
Double Ended 70W Metal Halide Narrow Beam

Catalog #453 1 5D H070DE
Report # 064/99



- Maximum candela of 5886 at 62.5° from vertical
- IES classification: Type III Full Cutoff*
- 70W Ceramic Metal Halide lamp, double ended, R7S RSC socket

* Fixtures shown at 0° tilt option (Full Cutoff with DS option)



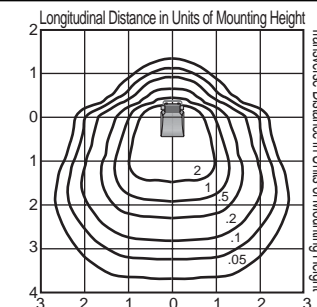
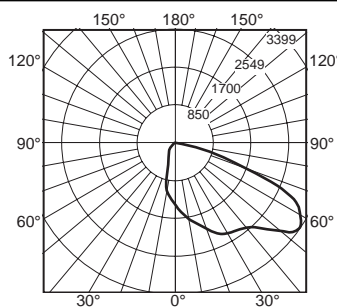
Double Ended 70W Metal Halide Wide Beam

Catalog #453 1 6D H070DE
Report # 068/99



- Maximum candela of 3399 at 55° from vertical
- IES classification: Type III Full Cutoff*
- 70W Ceramic Metal Halide lamp, double ended, R7S RSC socket

* Fixtures shown at 0° tilt option (Full Cutoff with DS option)



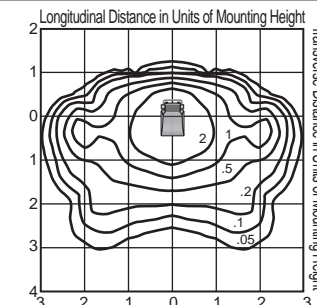
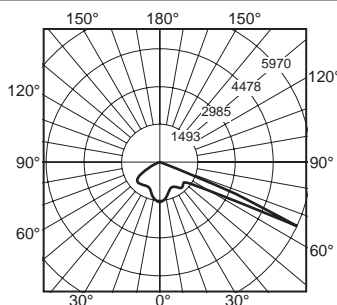
T6 Base 70W Metal Halide Wide Beam

Catalog #453 1 3T H070T6
Report # 067/99



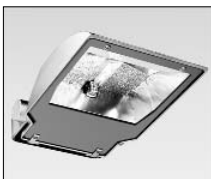
- Maximum candela of 5970 at 65° from vertical
- IES classification: Type I Full Cutoff*
- 70W Ceramic Metal Halide lamp, G12 T6 socket

* Fixtures shown at 0° tilt option (Full Cutoff with DS option)



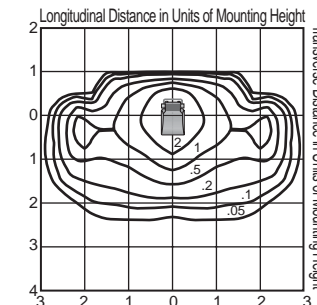
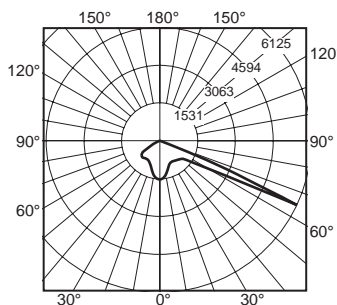
T6 Base 70W Metal Halide Batwing

Catalog #453 1 9T H070T6
Report # 063/99



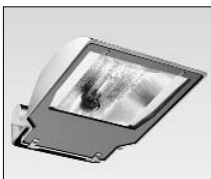
- Maximum candela of 6125 at 65° from vertical
- IES classification: Type I Full Cutoff*
- 70W Ceramic Metal Halide lamp, G12 T6 socket

* Fixtures shown at 0° tilt option (Full Cutoff with DS option)



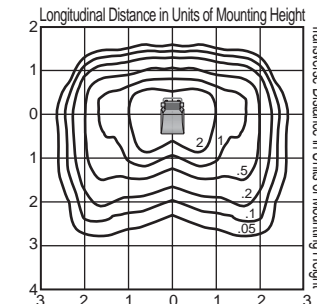
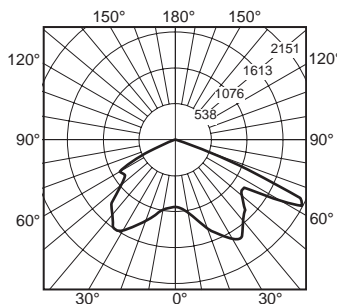
Medium Base 70W Metal Halide Wide Beam

Catalog #453 1 3M H070
Report # 072/99



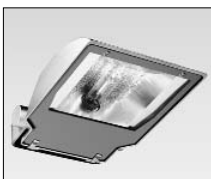
- Maximum candela of 2151 at 62.5° from vertical
- IES classification: Type III Full Cutoff*
- 70W Ceramic Metal Halide lamp, medium base socket

* Fixtures shown at 0° tilt option (Full Cutoff with DS option)



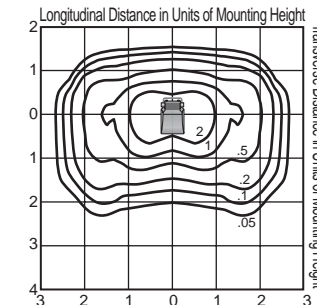
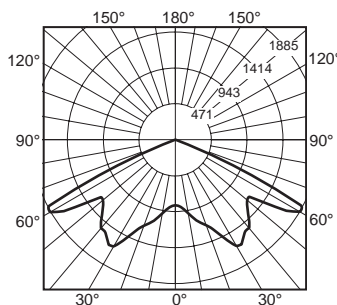
Medium Base 70W Metal Halide Batwing

Catalog #453 1 9M H070
Report # 071/99



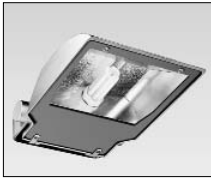
- Maximum candela of 1885 at 60° from vertical
- IES classification: Type II Full Cutoff*
- 70W Ceramic Metal Halide lamp, medium base socket

* Fixtures shown at 0° tilt option (Full Cutoff with DS option)



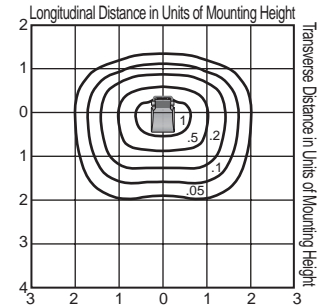
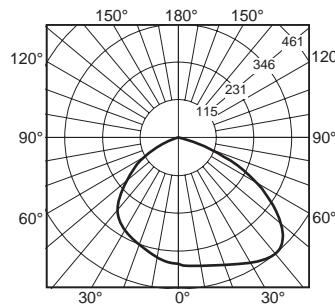
Single Compact Fluorescent Wide Beam

Catalog #453 1 3F 1F26
Report # 070/99



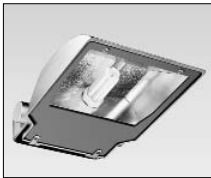
- Maximum candela of 461 at 40° from vertical
- IES classification: Type II Full Cutoff*
- 1 x Dulux®* T/E 26W amalgam compact fluorescent lamp, GX24q-3 socket

* Fixtures shown at 0° tilt option (Full Cutoff with DS option)



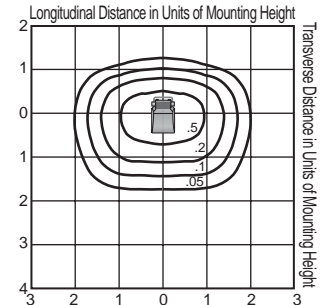
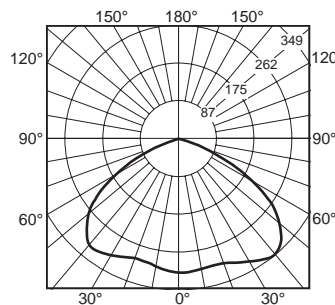
Single Compact Fluorescent Batwing

Catalog #453 1 9F 1F26
Report # 069/99



- Maximum candela of 349 at 40° from vertical
- IES classification: Type II Full Cutoff*
- 1 x Dulux®* T/E 26W amalgam compact fluorescent lamp, GX24q-3 socket

* Fixtures shown at 0° tilt option (Full Cutoff with DS option)



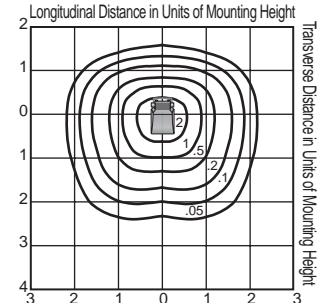
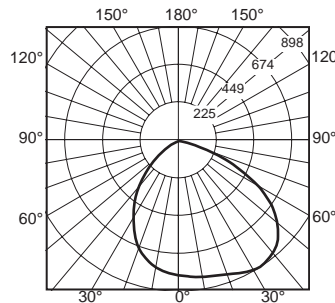
Double Compact Fluorescent Wide Beam

Catalog #453 1 3F 2F26
Report # 065/99



- Maximum candela of 898 at 32.5° from vertical.
- IES classification: Type III Full Cutoff*
- 2 x Dulux®* T/E 26W amalgam compact fluorescent lamp, GX24q-3 socket

* Fixtures shown at 0° tilt option (Full Cutoff with DS option)



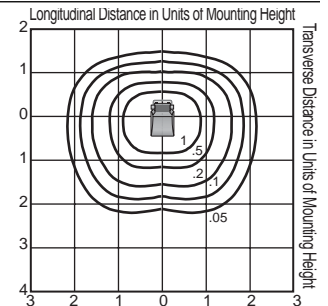
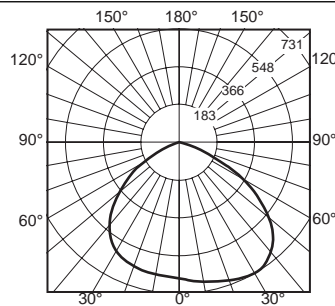
Double Compact Fluorescent Batwing

Catalog #453 1 9F 2F26
Report # 066/99



- Maximum candela of 731 at 30° from vertical
- IES classification: Type II Full Cutoff*
- 2 x Dulux®** T/E 26W amalgam compact fluorescent lamp, GX24q-3 socket

* Fixtures shown at 0° tilt option (Full Cutoff with DS option)



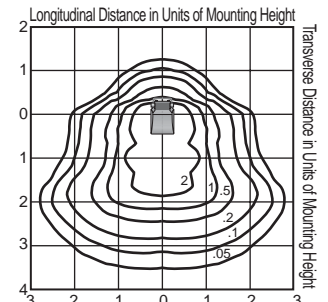
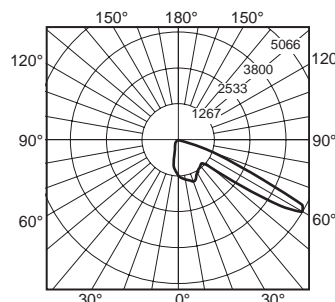
Halogen Narrow Beam

Catalog #453 1 5Q Q300DE
Report # 004/01



- Maximum candela of 5066 at 60° from vertical
- IES classification: Type III Full Cutoff*
- 300W Quartz Halogen lamp, RSC socket

* Fixtures shown at 0° tilt option (Full Cutoff with DS option)



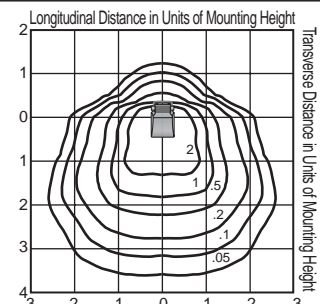
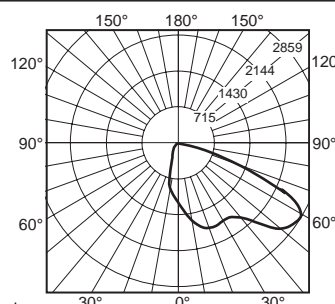
Halogen Wide Beam

Catalog #453 1 6Q Q300DE
Report # 002/01

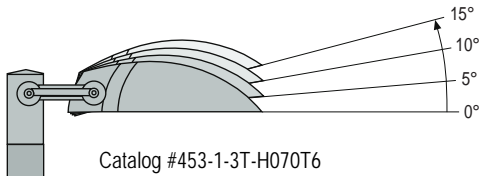


- Maximum candela of 2859 at 57.5° from vertical
- IES classification: Type III Full Cutoff*
- 300W Quartz Halogen lamp, RSC socket

* Fixtures shown at 0° tilt option (Full Cutoff with DS option)



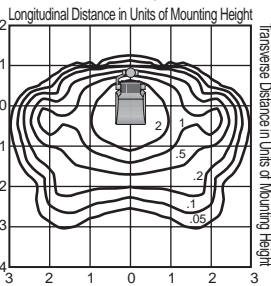
**Dulux® is a registered trademark of Osram/Sylvania



Conversion Chart							
Values based on 16' mounting height.							
Mounting Height	8'	10'	12'	14'	16'	18'	20'
Multiply	4.0	2.56	1.77	1.31	1.0	0.79	0.64

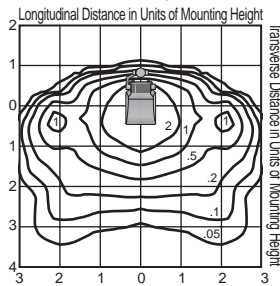
Tilt = 0

IES classification: Type I Full Cutoff*



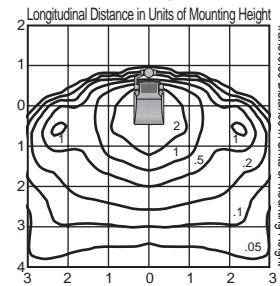
Tilt = 5

IES classification: Type I Semi-Cutoff



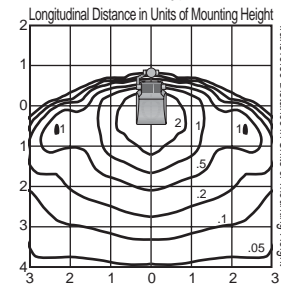
Tilt = 10

IES classification: Type II Semi-Cutoff



Tilt = 15

IES classification: Type II Non-Cutoff

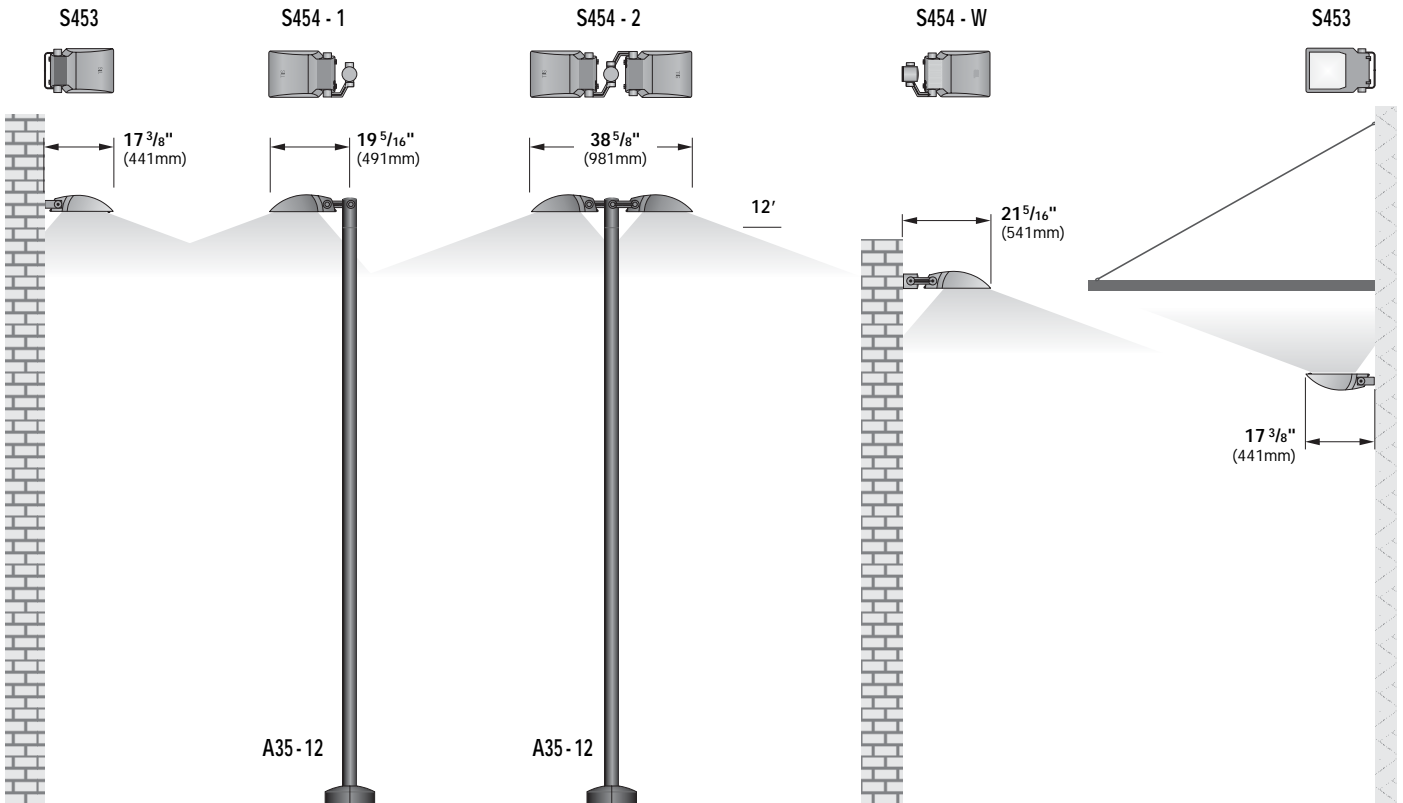


* Fixtures shown at 0° tilt option (Full Cutoff with DS option).

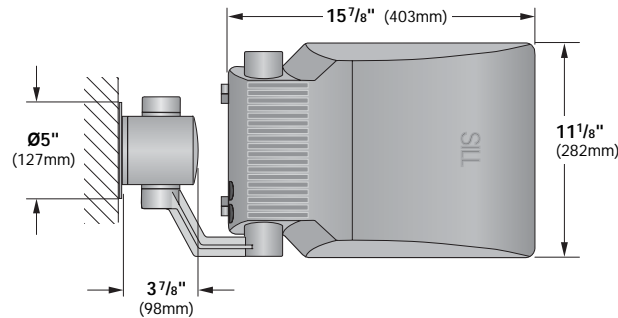
Lamps Supplied with Fixture							Other color temperatures available upon request				
Catalog Number	Description	Bulb	Operating Position	Base	Lamp Finish	Lamp Color	ANSI Designation	Mean Lumens	CRI	CCT (K)	Life (hours)
H050	50 Watt	ED17	Universal	Med. Base	Clear	830	M110/E	3200	82	3000	10000
H070	70 Watt						M98/E	4960	82	3000	10000
H100	100 Watt						M90/E	7500	85	3000	12500
H150	150 Watt						M102/E	11200	89	3000	12000
S050	50 Watt	ED17	Universal	Med. Base	Clear	N/A	S68	3600	22	1900	24000+
S070	70 Watt						S62	5350	22	1900	24000+
S100	100 Watt						S54	8000	22	2100	24000+
S150	150 Watt						S55	13400	22	2100	24000+
H070T6	70 Watt	T6	Universal	G12	Clear	830	M139/E	5200	82	3000	12000
H150T6	150 Watt						M142/E	10800	85	3000	12000
H070DE	70 Watt	T6	Horizontal +/-45°	R7S RSC	Clear	830	M139/E	5200	83	3000	15000
H150DE	150 Watt	T7					M142/E	10600	85	3000	15000
1F18/2F18	18 Watt Amalgam	T4	Universal	GX24q-2	830	N/A	1032	82	3000	10000	
1F26/2F26	26 Watt Amalgam			GX24q-3			1548	82	3000	10000	
1F32/2F32	32 Watt Amalgam			GX24q-3			2064	82	3000	10000	
1F42	42 Watt Amalgam			GX24q-4			2752	82	3000	10000	
Q100DE	100 Watt	T3	Universal	RSC	Clear	830	N/A	N/A			2000
Q150DE	150 Watt										2000
Q300DE	300 Watt										2000

Note: Lamp data provided for reference only and is believed to be accurate at time of printing. Consult manufacturers' data for updated and accurate specifications, along with any specifications and precautions. Contact SELUX for specific manufacture if required. Other lamps are available, contact SELUX with any special requests. All lamps and ballasts supplied by SELUX are usually covered under the ballast and lamp manufacturers' warranties.

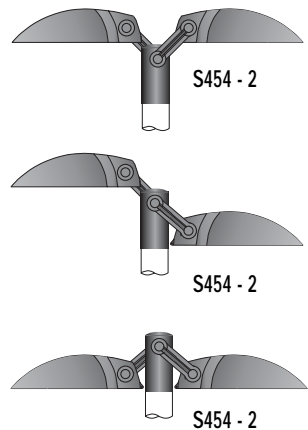
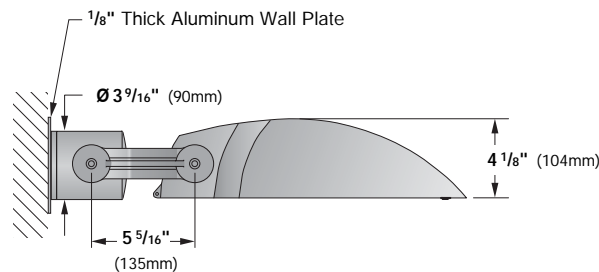
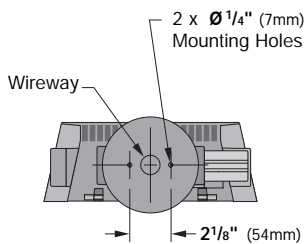
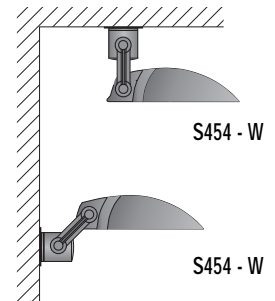
Mounting



(S454) Wall/Ceiling Mounting Detail



(S454) Wall, Ceiling and Pole Mounting Options



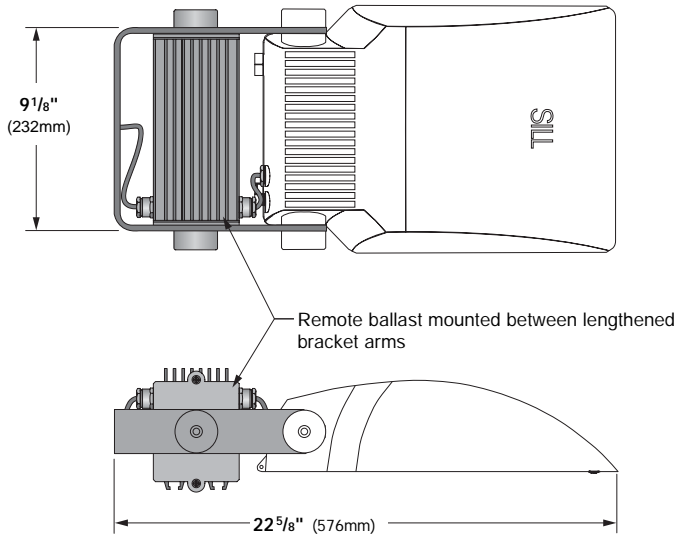
SELUX Corp. © 2003
 PO Box 1060, 5 Lumen Lane
 Highland, NY 12528-1060
 TEL: (845) 691-7723
 FAX: (845) 691-6749
 E-mail: seluxus@selux.com
 Web Site: www.selux.com/usa
 SLCL150-0606 page 7

In a continuing effort to offer the best product possible, we reserve the right to change, without notice, specifications or materials that in our opinion will not alter the function of the product. Specification sheets found at www.selux.com/usa are the most recent versions and supersede all other printed or electronic versions.

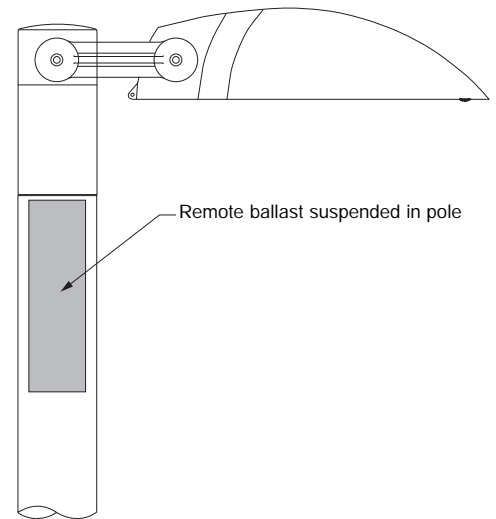
Remote Ballast Information

RB (Remote Ballast included in fixture)

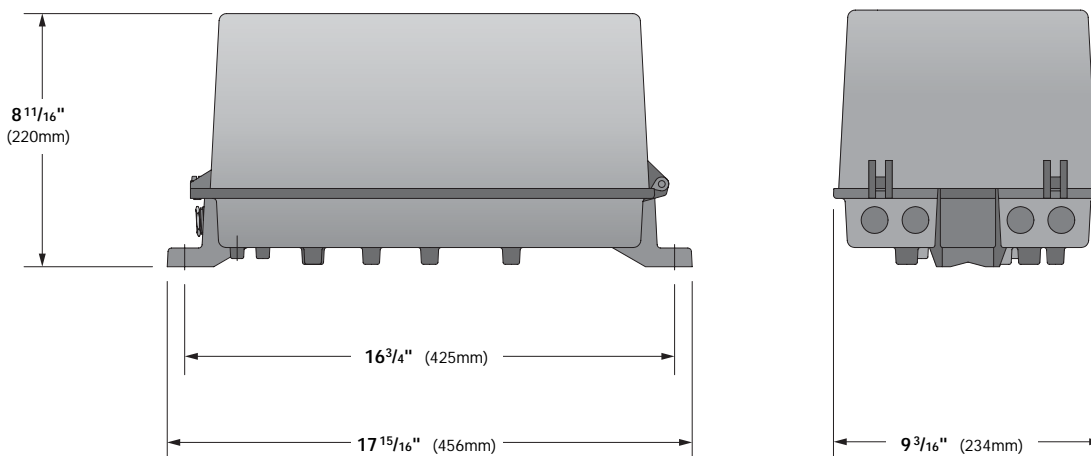
S453 _____ RB



S454 _____ RB



RB-S902 (Separate Remote Ballast box)

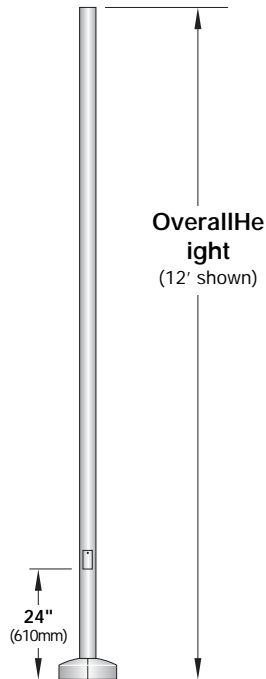


Pole Information

Refer to A35 and S35 Pole specification sheets for construction details, anchorage information and additional options.

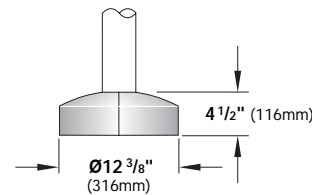
A35 & S35

Round Straight Aluminum
& Round Straight Steel Poles



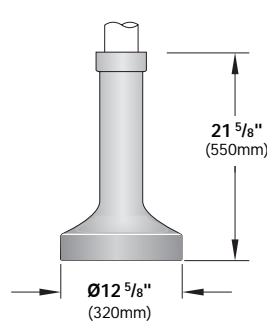
Standard Base Cover (BC5)

Two-piece cast aluminum



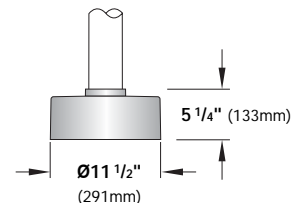
BC1 Optional Base Cover

One-piece cast aluminum



BC4 Optional Base Cover

One-piece cast aluminum



Pole Series	Bolt Circle	EPA Information (ft ²)					Height	Finish	Options
		70 mph	80 mph	90 mph	100 mph	110 mph			
A35 3 1/2" Dia. Straight Aluminum Pole	7 3/4"	16.1	12.2	9.4	7.3	5.9	8 8 ft.	WH White	BC1 Die Cast Base Cover
S35 3 1/2" Diameter Straight Steel Pole	7 3/4"	14.8	11.3	8.6	6.7	5.4			
A35 3 1/2" Dia. Straight Aluminum Pole	7 3/4"	12.4	9.3	7.1	5.4	4.3	10 10 ft.	BK Black	BC4 Cast Base Cover
S35 3 1/2" Diameter Straight Steel Pole	7 3/4"	11.4	8.6	6.5	4.9	3.9			
A35 3 1/2" Dia. Straight Aluminum Pole	7 3/4"	9.9	7.3	5.4	4.0	3.1	12 12 ft.	BZ Bronze	PC Photocell
S35 3 1/2" Diameter Straight Steel Pole	7 3/4"	9.1	6.7	4.9	3.6	2.8			
A35 3 1/2" Dia. Straight Aluminum Pole	7 3/4"	8.0	5.8	4.2	3.0	2.2	14 14 ft.	SV Silver	REC GFCI Receptacle with weather-proof cover*
S35 3 1/2" Diameter Straight Steel Pole	7 3/4"	7.3	5.3	3.8	2.7	1.9			
A35 3 1/2" Dia. Straight Aluminum Pole	7 3/4"	4.9	3.2	2.2	1.4	.08	16 16 ft.	SP Specify RAL#	T3 3" Tennon (included with all poles)
S35 3 1/2" Diameter Straight Steel Pole	7 3/4"	4.4	2.8	1.9	1.2	0.6			
A35 3 1/2" Dia. Straight Aluminum Pole	7 3/4"	3.9	2.4	1.4	0.8	0.3	18 18 ft.		
S35 3 1/2" Diameter Straight Steel Pole	7 3/4"	3.5	2.1	1.2	0.6	NA			

Other pole configurations available, consult factory

EPA Calculations allow for 1.3 Gust Factor

EPA / Weight of S453 = 0.48 ft² (0.04m²) / 11 lbs (5.0kg)

EPA / Weight of S454-W (with arm) = 0.56 ft² (0.05m²) / 15 lbs (6.8kg)

EPA / Weight of S454-1 (with arm) = 0.61 ft² (0.06m²) / 15 lbs (6.8kg)

EPA / Weight of S454-2 (with arms) = 1.13 ft² (0.10m²) / 28 lbs (12.7kg)

SELUX Corp. © 2003

PO Box 1060, 5 Lumen Lane

Highland, NY 12528

TEL: (845) 691-7723

FAX: (845) 691-6749

E-mail: seluxus@selux.com

Web Site: www.selux.com/usa

SLCL150-0606 (6-49137-00) page 9

In a continuing effort to offer the best product possible, we reserve the right to change, without notice, specifications or materials that in our opinion will not alter the function of the product. Specification sheets found at www.selux.com/usa are the most recent versions and supersede all other printed or electronic versions.