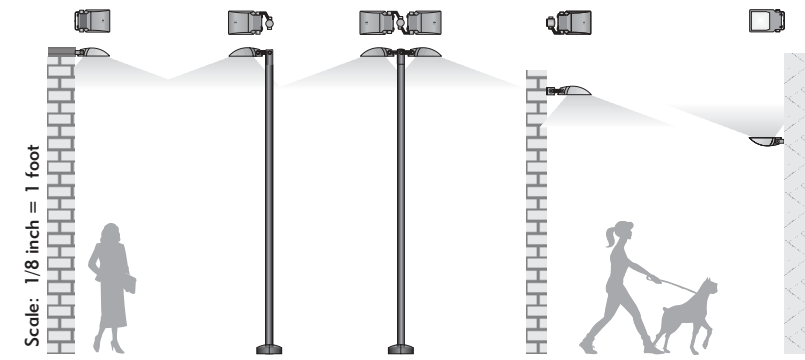
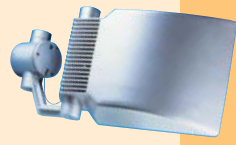


# Cityliter 150



# se'lux

## Construction

- Unique precision die-cast arms give high degree of mounting flexibility
- Precision, high purity aluminum computer designed reflectors
- Completely sealed optic chamber

## Lamping/Optics

- H.I.D. lamping 50w to 150w
- Compact Fluorescent to 42w
- Quartz Halogen to 150w
- Type I, II, and III distributions
- Full Cutoff with 0° fixed tilt option

## Design Options

- Bracket or arm mount

## Finish

- Multi-step cleaning and sealing process
- High quality polyester powder coat finish (CLICK HERE FOR DETAILS)

## Certifications

- UL and ULC listed
- IP 67
- ASTM and PCI for finish



## Ordering Matrix

For details and specifications, see current spec sheet (CLICK HERE)

**Series** | S453 SILL® Cityliter 150 -Yoke Mount | S454 SILL® Cityliter 150 - Arm Mount

**Arm Mounting** | 1 Single | 2 Double | W Wall Mount

**Reflector** | 3x/6x Wide Beam | 5x Narrow Beam | 9x Batwing

**Lamping MH\*** | H070T6 70w T6 | H070DE 70w Double Ended Base | H150T6 150w T6 | H150DE 150w Double Ended Base

**Lamping HPS** | S050 50w | S070 70w | S100 100w | S150 150w

**Lamping Compact Fluorescent** | 1/2F18 18w | 1/2F26 26w | 1/2F32 32w | 1F42 42w |

**Lamping Quartz Halogen\*\*** | Q100DE 100w | Q150DE 150w | Q300DE 300w |

**Voltage** | 120 | 277 | **Finish** | BK Black | WH White | BZ Bronze | SV Silver | SP Specify RAL#

**Options** | DS 0° Fixed Position (Full Cutoff) | RB Remote Ballast (included in fixture) | RB-S902 Separate Remote Ballast Box

\* Also available 50w, 70w, 100w, 150w Ceramic Medium Base ED17 lamps (require Remote Ballast)

CLICK HERE FOR POLE INFO.

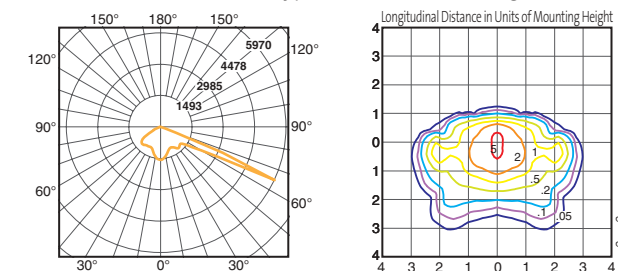
CLICK HERE FOR LAMP INFO.

\*\*Halogen lamps only available in 120V

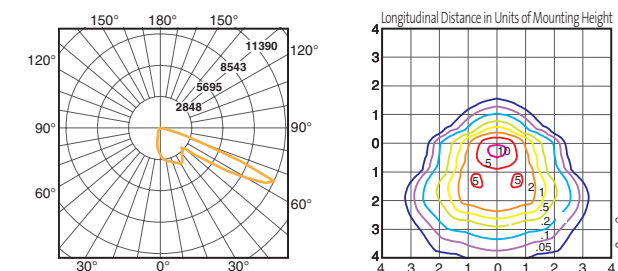
## Photometry

## Lamping/Reflector Options

### S454-1-3T-H070T6 (Type I Full Cutoff/mounting ht. = 16')



### S454-1-5D-H150DE (Type III Full Cutoff/mounting ht. = 16')



#### Ceramic Medium Base Metal Halide - Type II/III Full Cutoff\*

- Wide Beam w/70w yields max. candela 2151 at 62.5° from vert.
- Batwing w/70w yields max. candela 1885 at 60° from vert.

#### Ceramic T6 Metal Halide w/G12 Base - Type I Full Cutoff\*

- Wide Beam w/70w yields max. candela 5970 at 65° from vert.
- Batwing w/70w yields max. candela 6125 at 65° from vert.

#### Ceramic Double Ended Metal Halide - Type III Full Cutoff\*

- Narrow Beam w/70w yields max. candela 5886 at 62.5° from vert.
- Wide Beam w/70w yields max. candela 3399 at 55° from vert.

#### Single Compact Fluorescent - Type II Full Cutoff\*

- Wide Beam w/26w yields max. candela 461 at 40° from vert.
- Batwing w/26w yields max. candela 349 at 40° from vert.

#### Double Compact Fluorescent - Type I Full Cutoff\*

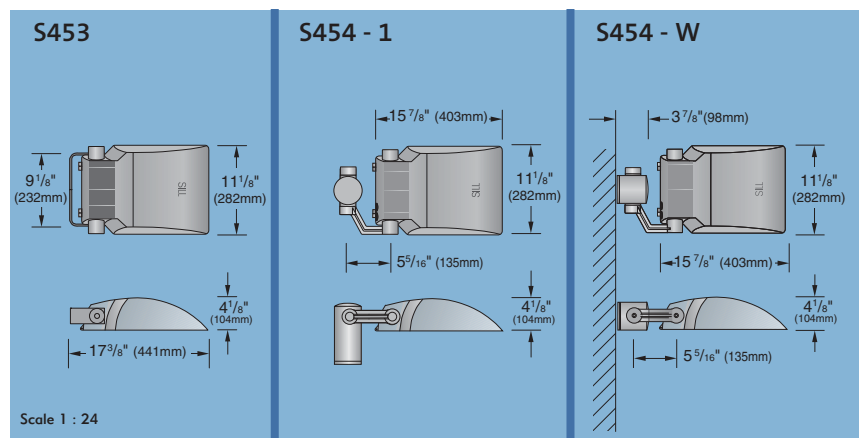
- Wide Beam w/26w yields max. candela 898 at 32.5° from vert.
- Batwing w/26w yields max. candela 731 at 30° from vert.

#### Quartz Halogen - Type III Full Cutoff\*

- Narrow Beam w/300w yields max. candela 5066 at 60° from vert.
- Wide Beam w/300w yields max. candela 2859 at 57.5° from vert.

\* Full Cutoff classification when ordered with DS "0" Tilt" option

For more options, see our website at [www.selux.com/usa](http://www.selux.com/usa)



Scale 1 : 24