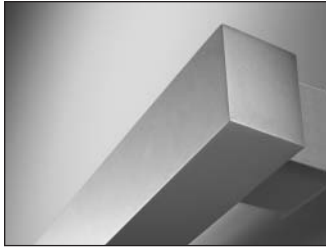


M60 Linear Fluorescent Indirect Pendant & Wall



Project: _____ **Type:** _____ **Qty:** _____

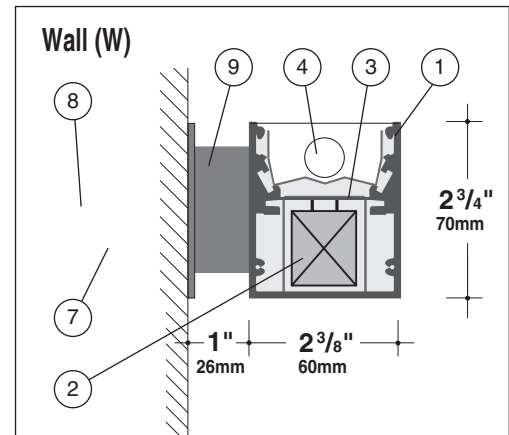
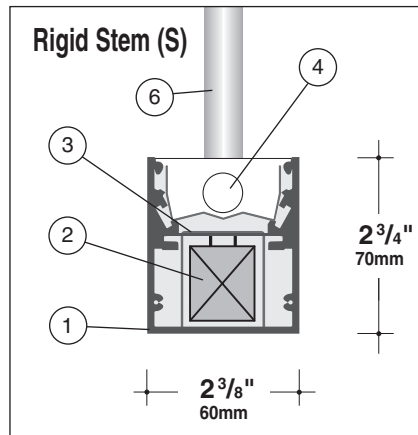
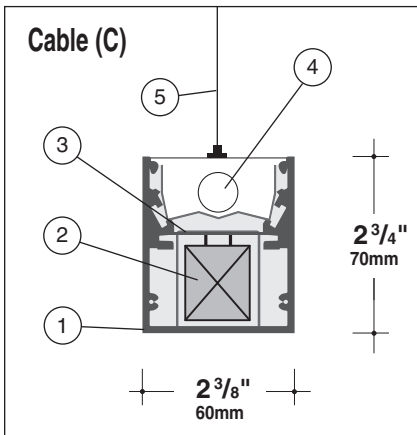
M6S	-	-	-	-	-	-	-
Fixture Series	Lamp Type	Shielding	Mounting	Linear Footage	Finish	Voltage	
-	-	-	-	-	-	-	-

Options (refer to separate data sheets for ordering codes and details)

Fixture Series	Lamp Type	Shielding	Mounting	Linear Footage	Finish	Voltage	Options
M6S M60 Indirect	1T5 F28T5 1T5HO F54T5HO	X None	C Cable S Stem RS Rigid Stem W Wall TE Telescoping End Caps ¹	004 4 foot 008 8 foot 012 12 foot For other lengths/configurations, indicate nominal length rounded to the next highest foot using three digits. Factory will supply layout drawings. Individual fixtures cannot be field joined.	WH White BK Black SV Silver SP Specify RAL#	120 277 347	(qty.)EM Stand-by Battery Pack ² (prefix quantity, i.e. - 5EM) FS Single Fusing DM Dimming ² (specify system) DMA Digital Addressable Dimming ¹ DL Suitable for Damp Locations

¹Refer to page 84 for Telescoping End Caps details.

²Must be low profile ballasts (1³/₁₆" wide x 1³/₁₆" high); consult factory for details.



1. Housing - Continuous, 6063-T5 extruded aluminum profile up to 16 feet long.

2. Ballast - Electronic, high power factor, class "P", type "A" sound rating. Specify 120v, 277v, or 347v. Ballast is factory pre-wired with leads to one end of fixture. Consult factory for ballast options.

3. Gear Tray - Die formed tray with specular aluminum reflector. Gear tray installs as complete electrical unit and is held in place with 1/4 turn latches. It is fully accessible from below ceiling.

4. Lamps - As noted (by others). Other lamp lengths or wattages available; consult factory.

5. 1/16" Aircraft Cable Suspension - Supplied with chrome gripper for easy adjustment. 48" max suspension from ceiling to top of luminaire. (See p.100 for more details.)

6. 5/8" Steel Swivel Stem or Rigid Stem Suspension - Swivel Stem provides 30° swivel rotation and can be cut in field; Rigid Stem can not be cut in field. 48" max suspension from ceiling to top of luminaire. (See p. 100 for more details.)

8. Ø3/8" Threaded Rod and Mounting Hardware - To anchor Wall Bracket, supplied and installed by others.

9. Wall Bracket - Aluminum Wall Bracket provided nominally every 4'. See layout pages for details.

Interior Luminaire Finish - Standard interior colors are White (WH), Black (BK) and Silver (SV). RAL colors (SP) are available, please specify RAL#.

7. Outlet box - (2" x 4") Mounted horizontally, supplied and installed by others at feed locations only.

SELUX Corp. © 2006
TEL: (845) 691-7723
FAX: (845) 691-6749
www.selux.com/usa
M6S-01 (v5.0)

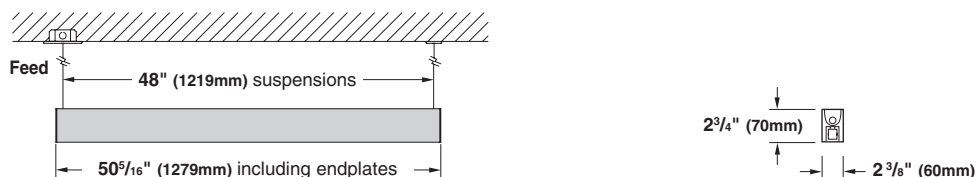


Union Made Affiliated
with IBEW Local 363

In a continuing effort to offer the best product possible, we reserve the right to change, without notice, specifications or materials that in our opinion will not alter the function of the product. Specification sheets found at www.selux.com/usa are the most recent versions and supercede all other printed or electronic versions.

M6S Pendant Mount Layout Dimensions

Nominal 4 foot Individual - side view



Nominal 4 foot Individual - top view



Nominal 8 foot Individual - top view

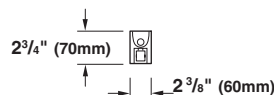


Nominal 12 foot Individual - top view

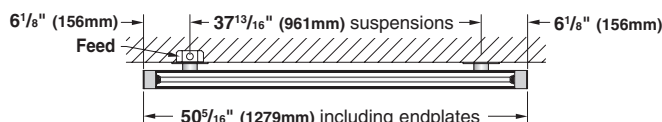


M6S Wall Mount Layout Dimensions

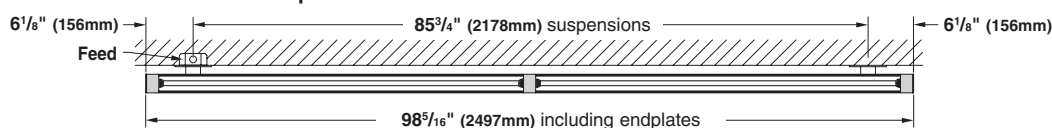
Nominal 4 foot Individual - side view



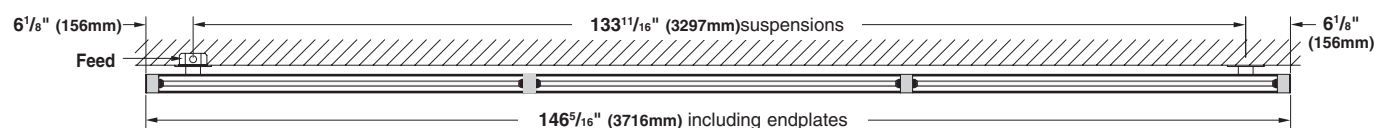
Nominal 4 foot Individual - top view



Nominal 8 foot Individual - top view



Nominal 12 foot Individual - top view



	T5 (1 or 2 lamp)		
	Including Endplates	Pendant Suspensions	Wall Suspensions
4 foot individual	50.34" (1279mm)	48.00" (1219mm)	37.84" (961mm)
8 foot individual	98.31" (2497mm)	95.90" (2435mm)	85.75" (2178mm)
12 foot individual	146.31" (3716mm)	143.88" (3654mm)	133.71" (3397mm)

For other lengths, lamping, continuous runs or configurations please specify overall length (in feet), accessories desired and sketch/drawing of configuration. SELUX will detail project drawings upon order and supply submittal drawings for approval. Individual fixtures cannot be field joined. If you have any questions please contact SELUX customer service or applications engineering for assistance (1-800-SELUX-CS).