

Saturn 4



Project: _____

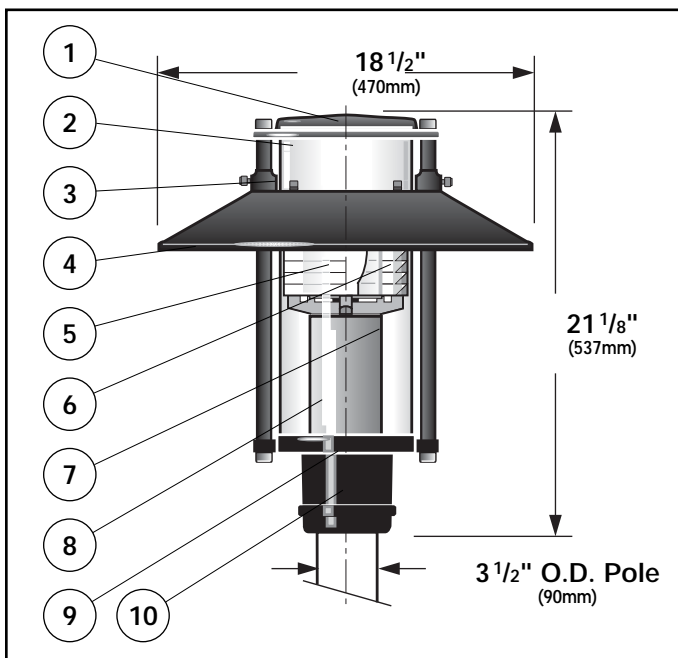
Type: _____ **Qty:** _____

SA4	-	-	-	-	-	-
Fixture Series	Shielding	Mounting	Lamp Type/Wattage	Finish	Voltage	Option
Pole Series	Height	Finish	Options			

Series	Shielding	Mounting	Lamp Type / Wattage	Finish	Voltage	Options
SA4 Saturn 4	SP Type V Silver Louver	1 Single	<u>Metal Halide</u>	WH White	120	HS House Side Shield (180°) Consult factory for details
	WP Type V White Louver	2 Double	H050** 50w	S050** 50w	208	
	MR Type V MTR* 150 Refractor	W Wall Mount	H070 70w	S070 70w	240	
			H100 100w	S100 100w	277	
				SP Specify RAL#	347	

* US Patent No. 4,669,034

** Only available in 120v and 277v



1. Fixture Cover - Aluminum cover with white painted interior for maximum fixture efficiency, has industrial felt gasketing for air circulation. Cover removes for lamp access.

2. Cover Support - Machined support connected to fixture cover with architectural Allen head nut detail.

3. Cover Set Screw - Two stainless steel, socket head cap screws provide attachment of fixture cover and support to 3/4" (19mm) diameter connection rods. Loosening screws allows removal of fixture cover without tools.

4. Fixture Hood - Aluminum shade with white painted interior for maximum reflectivity.

5. Shielding - Select Type V silver louver or white louver; or Type V MTR 150 refractor.

6. Lamp - One coated, base down, medium base ED-17 metal halide up to 100w or high pressure sodium up to 100w. Lamp provided by others.

7. Electroblock - Extruded aluminum tubing houses core and coil ballast. Pulse rated porcelain, medium base socket is mounted to die-cast aluminum socket cup for maximum heat dissipation and is pre-wired to ballast. Socket cup attaches to electroblock with two stainless steel screws and is easily removable for ballast service. Consult factory for more detailed ballast information.

8. Diffuser - Clear, U.V. stabilized, acrylic with a minimum wall thickness of 0.125" (3mm).

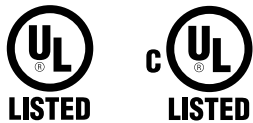
9. Gasketing - Continuous molded neoprene gasket provides weatherproofing, dust, and insect control at diffuser base.

10. Pole Fitter - Self-leveling, die-cast aluminum, fitter base secured to pole with two, stainless steel, Allen head set screws. 3 1/2" (90mm) I.D. external fitter for 3 1/2" (90mm) O.D. poles.

Exterior Luminaire Finish - SELUX utilizes a high quality Polyester Powder Coating. All SELUX luminaires and poles undergo a five stage intensive pretreatment process where product is thoroughly cleaned, phosphated and sealed. SELUX powder coated products provide excellent salt and humidity resistance as well as ultra violet resistance for color retention. All products are tested in accordance with test specifications for coatings from ASTM and PCI.

Standard exterior colors are White (WH), Black (BK), Bronze (BZ), and Silver (SV). RAL colors (SP) are available, please specify RAL#.

In a continuing effort to offer the best product possible, we reserve the right to change, without notice, specifications or materials that in our opinion will not alter the function of the product. Specification sheets found at www.selux.com/usa are the most recent versions and supercede all other printed or electronic versions.



**Union Made
Affiliated with
IBEW Local 363**

SELUX Corp. © 2002
PO Box 1060, 5 Lumen Lane
Highland, NY 12528
TEL: (845) 691-7723
FAX: (845) 691-6749
E-mail: seluxus@selux.com
Web Site: www.selux.com/usa
SA4-0403-01 (ss-V3.11)

Saturn 4

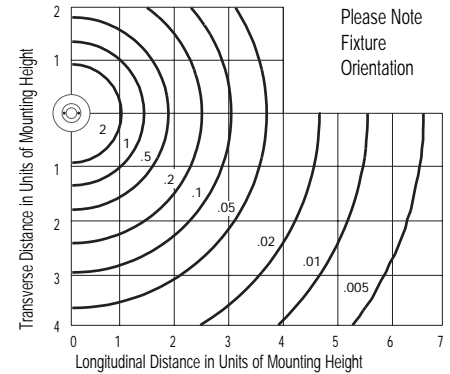
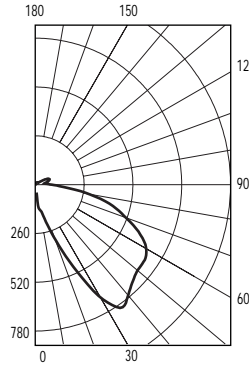


Silver Louver

Catalog # SA4-SP-1-H100
ITL Report # 40540

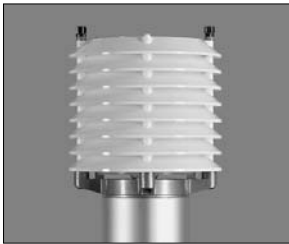


- Mirror finish with prismatic underside shields light source and controls glare.
- Resulting dark light effect offers superior visual comfort.
- Maximum candela of 784.7 at 35° from vertical.
- IES classification, Type V Cutoff.

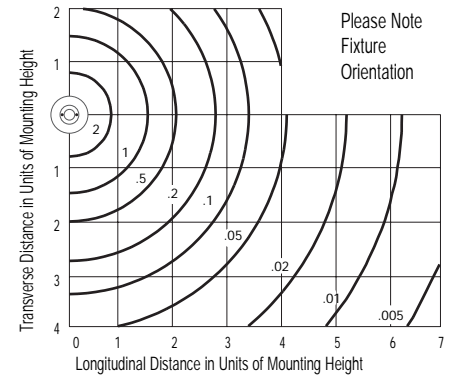
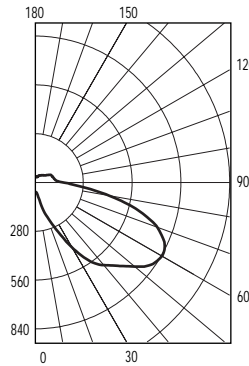


White Louver

Catalog # SA4-WP-1-H100
ITL Report # 40593



- A se'lux variation of a classic louver design.
- Combines brightness control with a subtle luminance around the source.
- Maximum candela of 839.0 at 60° from vertical.
- IES classification, Type V Cutoff.

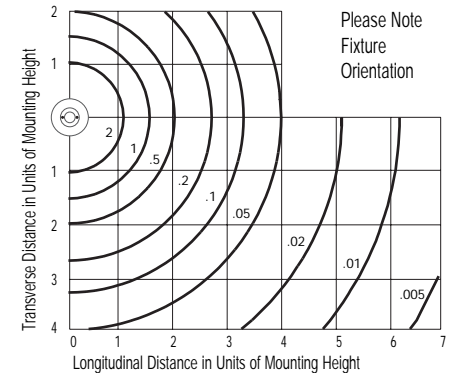
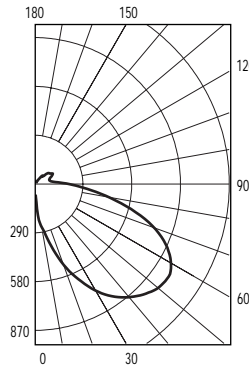


MTR 150 Refractor

Catalog # SA4-MR-1-H100
ITL Report # 40539



- Innovative multi-prisms for total reflection incorporates light-bending characteristics of a prism. US patent no. 4,669,034.
- Directs light precisely with minimum intensity at critical viewing angles.
- Blends efficiency with visual comfort.
- Maximum candela of 893.1 at 55° from vertical.
- IES classification, Type V Cutoff.



HID Lamp Prorate Table (ED-17 Coated, Base-Down Lamp)					
High Pressure Sodium			Metal Halide		
Wattage	Factor	Initial Lumens	Wattage	Factor	Initial Lumens
50	0.47	3700	50	0.44	3400
70	0.74	5800	70	0.64	5000
100	1.13	8800	100	1.00	7800

Conversion Chart	
Values based on 12' mounting height	
Mounting Height	Multiply
10'	1.44
12'	1.00
14'	0.73
16'	0.56
18'	0.44

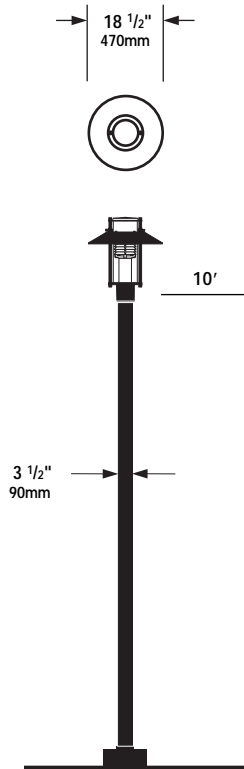
SELUX Corp. © 2002
PO Box 1060, 5 Lumen Lane
Highland, NY 12528
TEL: (845) 691-7723
FAX: (845) 691-6749
E-mail: seluxus@selux.com
Web Site: www.selux.com/usa
SA4-0403-02

In a continuing effort to offer the best product possible, we reserve the right to change, without notice, specifications or materials that in our opinion will not alter the function of the product. Specification sheets found at www.selux.com/usa are the most recent versions and supersede all other printed or electronic versions.

Mounting

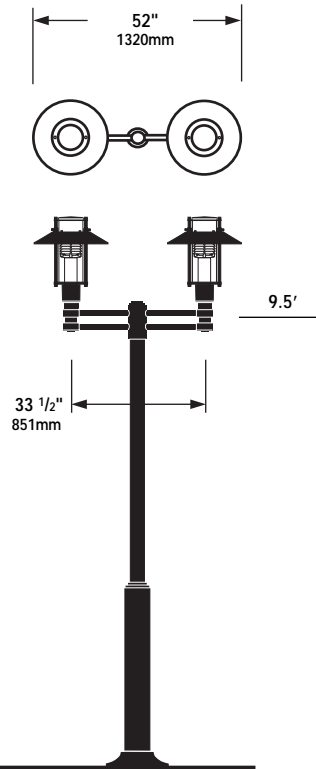
Single

Die-cast aluminum fitter base secured to pole with two, stainless steel, Allen head set screws.



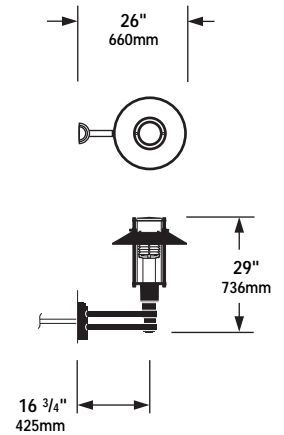
Double

Die-cast aluminum double luminaire mounting arm secured to pole with four stainless steel, Allen head set screws. Outer slip fitter for 3 1/2" (90mm) tenon.



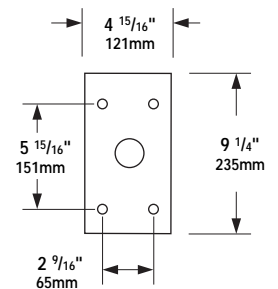
Wall

Die-cast aluminum double round wall mount arm. Secured to wall with 1/4" diameter threaded fasteners (by others).



Wall Arm Mounting Detail

(Conduit and mounting hardware by others.)

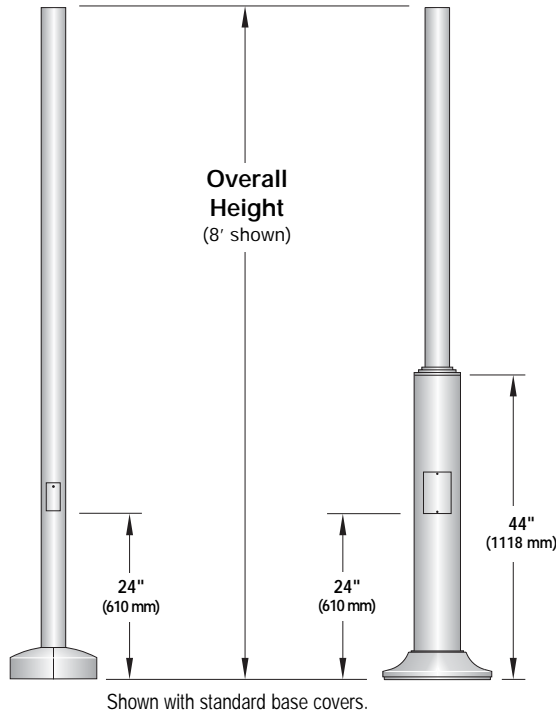


Pole Information

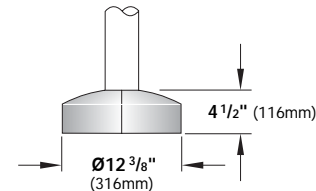
Refer to A35, S635, or S35 Pole specification sheets for construction details, anchorage information and additional options.

A35 & S35
Round Straight Aluminum
& Round Straight Steel Poles

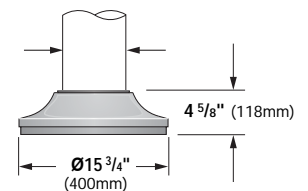
S635
Round Stepped
Steel Pole



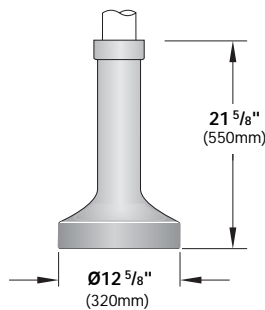
Straight Poles (A35 & S35)
BC5 Standard Base Cover
Two-piece cast aluminum



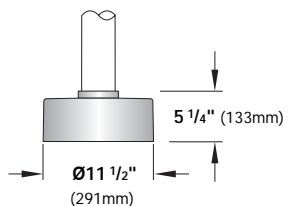
Stepped Steel Pole (S635)
BC6 Standard Base Cover
One-piece cast aluminum



BC1 Optional Base Cover
(A35 & S35) One-piece cast aluminum



BC4 Optional Base Cover
(A35 & S35) One-piece cast aluminum



Pole Series	Bolt Circle	EPA Information (ft ²)					Height	Finish	Options
		70 mph	80 mph	90 mph	100 mph	110 mph			
S635 3 1/2" Diameter Stepped Steel Pole	9"	57.6	44.3	34.6	27.5	22.8	8 8 ft.	WH White BK Black	BC1 Decorative Cast Aluminum Base Cover (for A35 & S35 poles only)
A35 3 1/2" Diameter Straight Aluminum Pole	7 3/4"	16.1	12.2	9.4	7.3	5.9			
S35 3 1/2" Diameter Straight Steel Pole	7 3/4"	14.8	11.3	8.6	6.7	5.4			
S635 3 1/2" Diameter Stepped Steel Pole	9"	45.6	35.0	27.3	21.6	17.8	10 10 ft.	BZ Bronze SV Silver	BC4 One-piece Cast Aluminum Base Cover (for A35 & S35 poles only)
A35 3 1/2" Diameter Straight Aluminum Pole	7 3/4"	12.4	9.3	7.1	5.4	4.3			
S35 3 1/2" Diameter Straight Steel Pole	7 3/4"	11.4	8.6	6.5	4.9	3.9			
S635 3 1/2" Diameter Stepped Steel Pole	9"	37.6	28.7	22.3	17.5	14.4	12 12 ft.	SP Specify RAL#	REC GFCI Receptacle with weather-proof cover*
A35 3 1/2" Diameter Straight Aluminum Pole	7 3/4"	9.9	7.3	5.4	4.0	3.1			
S35 3 1/2" Diameter Straight Steel Pole	7 3/4"	9.1	6.7	4.9	3.6	2.8			
S635 3 1/2" Diameter Stepped Steel Pole	9"	31.7	24.2	18.6	14.6	11.9	14 14 ft.		PCT Photocell Tenon
A35 3 1/2" Diameter Straight Aluminum Pole	7 3/4"	8.0	5.8	4.2	3.0	2.2			
S35 3 1/2" Diameter Straight Steel Pole	7 3/4"	7.3	5.3	3.8	2.7	1.9			
S635 3 1/2" Diameter Stepped Steel Pole	9"	21.7	15.8	12.3	9.6	7.6	16 16 ft.		
A35 3 1/2" Diameter Straight Aluminum Pole	7 3/4"	4.9	3.2	2.2	1.4	.08			
S35 3 1/2" Diameter Straight Steel Pole	7 3/4"	4.4	2.8	1.9	1.2	0.6			

Other pole configurations available, consult factory. EPA Calculations allow for 1.3 Gust Factor

Effective Projected Area of Single Luminaire = 0.40 ft² (0.04m²) / Weight of Luminaire = 18.0 lbs (8.2kg)

Effective Projected Area of Double Luminaire = 1.22 ft² (0.11m²) / Weight of Double Luminaire (includes arms) = 58.0 lbs (26.3kg)

SELUX Corp. © 2002

PO Box 1060, 5 Lumen Lane
Highland, NY 12528
SA4-0403-04 (6-49016-00)

TEL: (845) 691-7723 FAX: (845) 691-6749
E-mail: seluxus@selux.com
Web Site: www.selux.com/usa

In a continuing effort to offer the best product possible, we reserve the right to change, without notice, specifications or materials that in our opinion will not alter the function of the product. Specification sheets found at www.selux.com/usa are the most recent versions and supercede all other printed or electronic versions.