



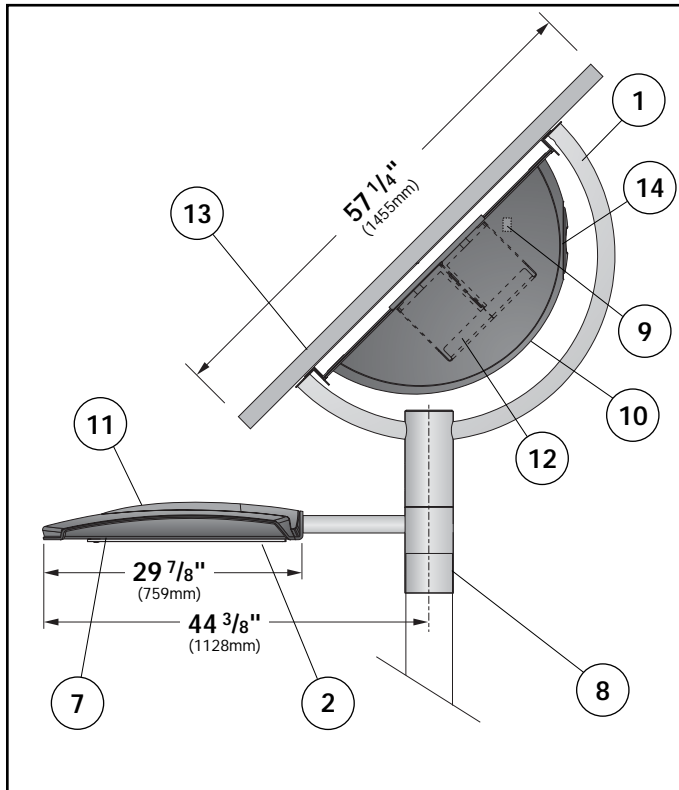
**Project:** \_\_\_\_\_

**Type:** \_\_\_\_\_ **Qty:** \_\_\_\_\_

**SDS** - \_\_\_\_\_ - **R3** - \_\_\_\_\_ - \_\_\_\_\_ - \_\_\_\_\_ - \_\_\_\_\_ - \_\_\_\_\_ - \_\_\_\_\_  
**Series**    **Lamping**    **Reflector**    **Batteries**    **Panel**    **Hours of Operation**    **Finish**    **Option**    **Option**  
**S50** - \_\_\_\_\_ - \_\_\_\_\_  
**Pole Series**    **Finish**    **Height**

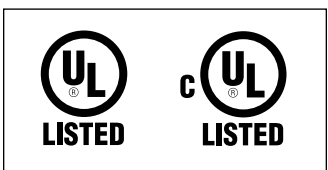
| Series                                  | Lamping                     | Reflector  | Batteries*                                     | Panel*                               | Hrs. of Operation   | Finish  | Options  |
|---|-----------------------------|--|--|--------------------------------------|---|---|--|
| SDS Sonne Solar Powered Lighting System | F18 18W Compact Fluorescent | R3 R3 Aluminum Reflector (Type III Distribution) | B1 One 12V, 82 Amp/H                           | P1 80W (Single)                      | 2H 2 hours on after sunset  | WH White                                      | <b>PANEL MOUNTING ANGLE*</b><br>PM0 0° *standard panel mounting<br>PM1 15° angle = 45°<br>PM3 30°<br>MD Motion Detector<br>VR Vandal Resistant fasteners with all covers<br>BP Back Panel (covering back of solar panel) |
|   | F26 26W Compact Fluorescent |  | B2 Two 12V, 82 Amp/H                           | P2 125W (Single)                     | 4H 4 hours on after sunset<br>6H 6 hours on after sunset<br>8H 8 hours on after sunset  | BK Black<br>BZ Bronze                         |  |
|   | F32 32W Compact Fluorescent |  | B3 One 12V, 100 Amp/H<br>B4 Two 12V, 100 Amp/H | P3 160W (Double)<br>P4 250W (Double) | 10H 10 hrs. on after sunset<br>3/1H 3 hrs. on/ off / 1 hr. on<br>4/2H 4 hrs. on/ off / 2 hrs. on<br>6/2H 6 hrs. on/ off / 2 hrs. on<br>DTD Dusk to dawn | SV Silver<br>GV Galvanized<br>SP Specify RAL# |  |

\*Batteries and Panel requirements to be determined by SELUX engineering for every project, please consult factory.



- Panel Support Frame** - Steel frame supports solar panels and storage batteries. Integrated pole fitter allows independent orientation to fixture.
  - Gasketing** - Silicone gasket between lens & housing to provide weather proofing and insect control.
  - Reflector** - (not shown) Precision formed aluminum reflector with a Type III distribution.
  - Lamp** - (not shown) Twin tube 18 Watt or a Triple tube 26 or 32 Watt four pin CFC. GX24q-2 base for 18 Watt, GX24q-3 base for 26 Watt & 32 Watt. Supplied with fixture.
  - Socket** - (not shown) 4 pin compact fluorescent.
  - Ballast** - (not shown) 12V DC Electronic Ballast, mounted to removable tray for ease of maintenance. All electrical connections are prewired. Electrical harness is equipped with quick disconnects to the fixture, batteries and solar panels.
  - Fixture Access Door** - Formed hot dip galvanized steel door with flat acrylic lens. Secured with two quarter turn captive fasteners, hinged for easy access to lamp and ballast, optional drop lens available.
  - Pole fitter** - Fitter for upper assembly and light fixture secured with six stainless steel, Allen head set screws. Fitters are 5"(127mm) I.D. external fitter for 5"(127mm) O.D. poles.
  - Smart Controller** - Monitors and regulates charging and discharging of batteries (preventing over charging). Programmable to control hours of operation (In relation to dusk and dawn). Accessible through access hatch. Warrantied (limited) by controller manufacturer for 5 years.
  - Battery Covers** - Battery compartment is enclosed with molded recycled ABS with integrated UV protective outer shell. Covers are removable without tools, locked in place with controller access hatch. Vandal resistant fasteners (VR) optionally available.
  - Fixture Cover** - Fixture is enclosed with molded recycled ABS provided with integrated UV protective outer shell, secured to fixture pan with non visible hardware.
  - Batteries** - (1 or 2) 12 Volt, 82 or 100 Amp Hour maintenance free, non-spillable, sealed gel electrolyte batteries. Mounted to hinged battery tray for ease of maintenance.
  - Solar Panels** - Multi-crystalline Photovoltaic Modules, in 80W and 125W single and double panels. Panel wattages are nominal. Power output warranted (limited) by solar panel manufacturer for 20 years.
  - Access Hatch** - Integrated access hatch locks battery covers in place and provides access to smart controller. Hatch locks in place with captive hardware.
- Exterior Luminaire Finish** - SELUX utilizes a high quality Polyester Powder Coating. All SELUX luminaires and poles undergo a five stage intensive pre-treatment process where product is thoroughly cleaned, phosphated and sealed. SELUX powder coated products provide excellent salt and humidity resistance as well as ultra violet resistance for color retention. All products are tested in accordance with test specifications for coatings from ASTM and PCI. Standard exterior colors are White (WH), Black (BK), Bronze (BZ), and Silver (SV). RAL colors (SP) are available, please specify RAL#. Hot Dip Galvanized finish (GV) on all steel parts also available. ABS parts supplied in Grey.

**Union Made  
Affiliated with  
IBEW Local 363**



SELUX Corp. © 2006  
 PO Box 1060, 5 Lumen Lane  
 Highland, NY 12528  
 TEL: (845) 691-7723  
 FAX: (845) 691-6749  
 E-mail: seluxus@selux.com  
 Web Site: www.selux.com/usa  
 SDS-0806-01 (ss-V1.7)

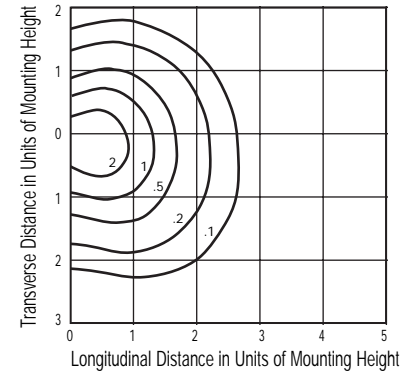
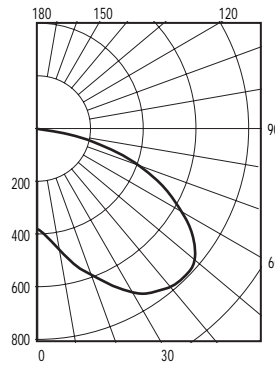
In a continuing effort to offer the best product possible, we reserve the right to change, without notice, specifications or materials that in our opinion will not alter the function of the product. Specification sheets found at www.selux.com/usa are the most recent versions and supercede all other printed or electronic versions.

## Photometry

### SDS with 32W CFL & R3 reflector

Catalog # SDS - 32 - R3 - 1  
Report # ITL 15088

- Maximum candela of 796.8 at 45° from vertical.
- IES classification - Type III Full Cutoff

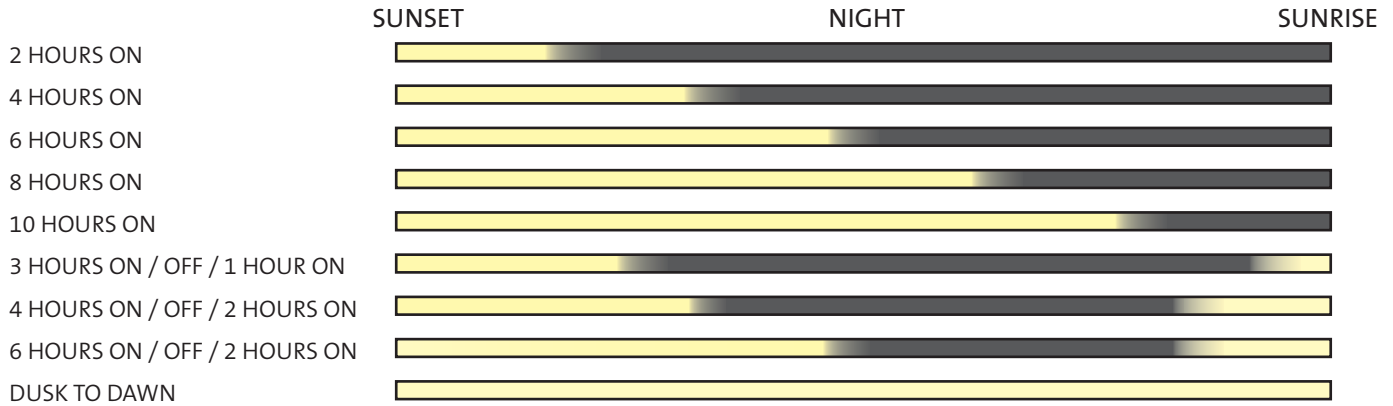


| Wattage | Factor | Initial Lumens |
|---------|--------|----------------|
| 18      | 0.52   | 1250           |
| 26      | 0.75   | 1800           |
| 32      | 1.00   | 2400           |

| Mounting Height | Multiply |
|-----------------|----------|
| 10' (3.0M)      | 1.44     |
| 12' (3.7M)      | 1.00     |
| 14' (4.3M)      | 0.73     |
| 16' (4.9M)      | 0.56     |
| 18' (5.5M)      | 0.44     |

## Hours of Operation

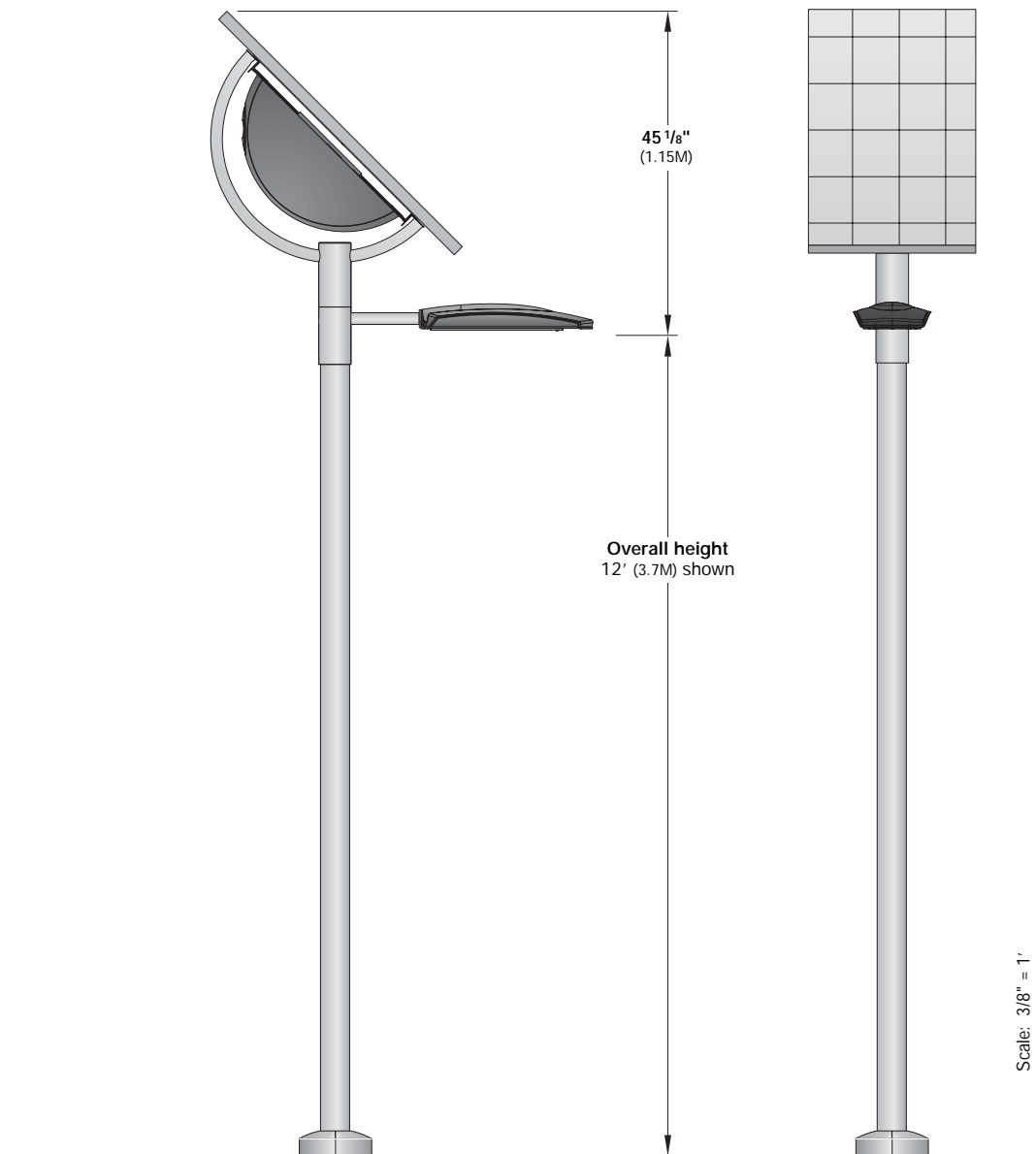
Luminaire is preset at factory to operate at pre-determined hours of operation as in chart below. "2 Hours On" signifies that the lamp will turn on at sunset and stay on for two hours at which time it will shut off until sunset of the following day. Progressively longer periods of operation after sunset are achieved with selections 4, 6, 8 and 10 Hours On. "3 Hours On / Off / 1 Hour On" selection gives three hours of operation directly after sunset and one hour before sunrise, for a total of four hours operation. Please consult SELUX engineering for required Panel and Batteries configuration for each job specific application.



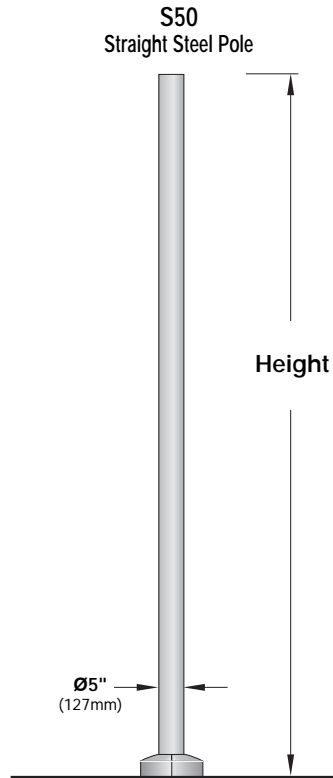
## EPA / Weight Chart for all configurations

| Fixture Assemblies EPA's & Weights |                |                  |                 |                |        |       |
|------------------------------------|----------------|------------------|-----------------|----------------|--------|-------|
| Panel Size                         | Panel          | Batteries        | EPA             |                | Weight |       |
|                                    |                |                  | Ft <sup>2</sup> | M <sup>2</sup> | lbs.   | kg    |
| 80 Watt                            | 1 x 80W Panel  | 1 x 82 Amp Hour  | 7               | 0.7            | 227    | 103.0 |
| 80 Watt                            | 1 x 80W Panel  | 2 x 82 Amp Hour  | 7               | 0.7            | 280    | 127.0 |
| 80 Watt                            | 1 x 80W Panel  | 1 x 100 Amp Hour | 7               | 0.7            | 237    | 107.5 |
| 80 Watt                            | 1 x 80W Panel  | 2 x 100 Amp Hour | 7               | 0.7            | 300    | 136.1 |
| 160 Watt                           | 2 x 80W Panel  | 1 x 82 Amp Hour  | 13              | 1.2            | 247    | 112.0 |
| 160 Watt                           | 2 x 80W Panel  | 2 x 82 Amp Hour  | 13              | 1.2            | 300    | 136.1 |
| 160 Watt                           | 2 x 80W Panel  | 1 x 100 Amp Hour | 13              | 1.2            | 257    | 116.6 |
| 160 Watt                           | 2 x 80W Panel  | 2 x 100 Amp Hour | 13              | 1.2            | 320    | 145.1 |
| 125 Watt                           | 1 x 125W Panel | 1 x 82 Amp Hour  | 10              | 0.9            | 237    | 107.5 |
| 125 Watt                           | 1 x 125W Panel | 2 x 82 Amp Hour  | 10              | 0.9            | 291    | 132.0 |
| 125 Watt                           | 1 x 125W Panel | 1 x 100 Amp Hour | 10              | 0.9            | 247    | 112.0 |
| 125 Watt                           | 1 x 125W Panel | 2 x 100 Amp Hour | 10              | 0.9            | 301    | 136.5 |
| 250 Watt                           | 2 x 125W Panel | 1 x 82 Amp Hour  | 22              | 2.0            | 264    | 119.7 |
| 250 Watt                           | 2 x 125W Panel | 2 x 82 Amp Hour  | 22              | 2.0            | 318    | 144.2 |
| 250 Watt                           | 2 x 125W Panel | 1 x 100 Amp Hour | 22              | 2.0            | 291    | 132.0 |
| 250 Watt                           | 2 x 125W Panel | 2 x 100 Amp Hour | 22              | 2.0            | 345    | 156.5 |

## Mounting



## Pole Information



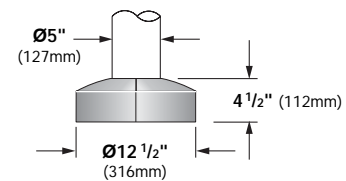
Pole and luminaire engineered to withstand 120mph wind (+1.3 gust) as per AASHTO standards.

| Pole Series                         | Height    | Finish          |
|-------------------------------------|-----------|-----------------|
| S50 5" Diameter Straight Steel Pole | 12 12 ft. | WH White        |
| S50 5" Diameter Straight Steel Pole | 14 14 ft. | BK Black        |
| S50 5" Diameter Straight Steel Pole | 16 16 ft. | BZ Bronze       |
| S50 5" Diameter Straight Steel Pole | 18 18 ft. | SV Silver       |
|                                     |           | GV Galvanized   |
|                                     |           | SP Specify RAL# |

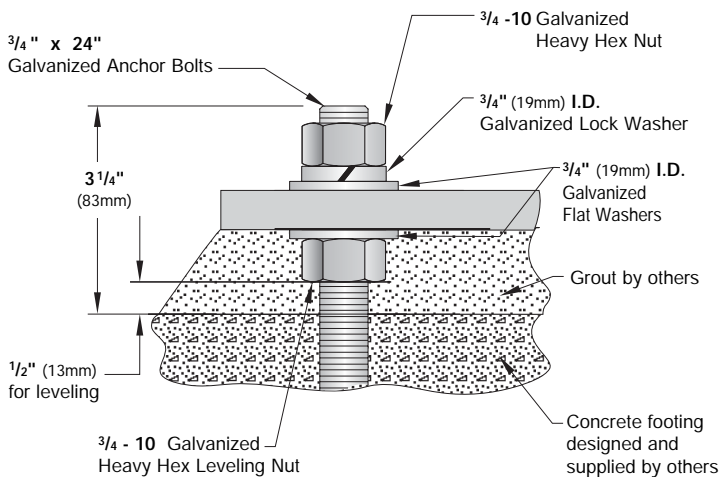
Other pole configurations available, consult factory.

### BC3 Standard Base Cover

Die cast aluminum, two-piece field installable base cover.

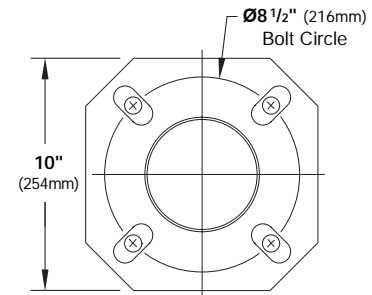


## Anchor Bolt Detail



## Bolt Circle (S50 )

Use caution when setting anchor bolts. Bolts must be vertically straight and centered on dimensions shown.



SELUX Corp. © 2006  
 PO Box 1060, 5 Lumen Lane  
 Highland, NY 12528  
 TEL: (845) 691-7723  
 FAX: (845) 691-6749  
 E-mail: seluxus@selux.com  
 Web Site: www.selux.com/usa  
 SDS-0806-05

In a continuing effort to offer the best product possible, we reserve the right to change, without notice, specifications or materials that in our opinion will not alter the function of the product. Specification sheets found at [www.selux.com/usa](http://www.selux.com/usa) are the most recent versions and supercede all other printed or electronic versions.