

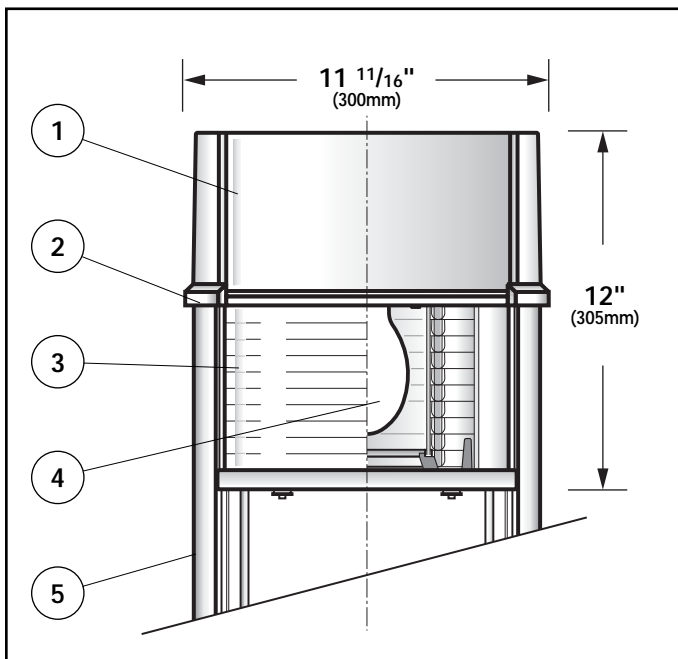
Project: _____

Type: _____ **Qty:** _____

CDO - - - - -
 Fixture Series Height Lamp Type / Wattage Finish Voltage

Series		Height	Lamp Type / Wattage		Finish	Voltage
CDO	CDO Ovalisk	8 8' (2.4m)	<u>Metal Halide</u>	<u>HPS</u>	WH White	120
		10 10' (3m) or specify custom height	H050* 50w H070 70w H100 100w	S050* 50w S070 70w S100 100w	BK Black BZ Bronze SV Silver SP Specify RAL#	208 240 277 347

* Available in 120v and 277v only



1. Fixture Cap - Die-cast aluminum cap houses appropriate ballast and socket. Pulse rated, porcelain, medium base socket is pre-wired to ballast.

2. Gasketing - Continuous gaskets provide weather-proofing, dust, and insect control at shielding base, fixture cover and between MTR rings.

3. Shielding - Injection-molded acrylic multi-prisms for total reflection (MTR). MTR rings (US Patent 4,669,034) have a wall thickness of 0.591" (15mm) and are patterned after the light bending characteristics of a prism. Secured to die-cast aluminum fitter. Tempered glass, lower lens is removable for relamping.

4. Lamp - Enclosed in borosilicate glass cylinder. One coated base up, medium base ED-17 metal halide up to 100w or high pressure sodium up to 100w. Lamp provided by others.

5. Support Profiles - Extruded 6063-T5 aluminum.

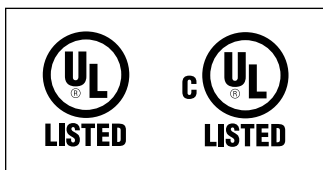
6. Access Door - (Not shown) Flush aluminum hand hole cover with stainless steel, vandal resistant fasteners.

7. Cover Profile - (Not shown) Extruded 6063-T5 aluminum.

8. Fixture Base - (Not shown) Galvanized steel base is provided with 15" (380mm) galvanized anchor bolts and mounting template. (2) galvanized steel uprights are welded to base and provide support and mounting surface for fixture. Designed for 120 mph with 1.3 gust wind load.

Exterior Luminaire Finish - SELUX utilizes a high quality Polyester Powder Coating. All SELUX luminaires and poles undergo a five stage intensive pretreatment process where product is thoroughly cleaned, phosphated and sealed. SELUX powder coated products provide excellent salt and humidity resistance as well as ultra violet resistance for color retention. All products are tested in accordance with test specifications for coatings from ASTM and PCI.

Standard exterior colors are White (WH), Black (BK), Bronze (BZ), and Silver (SV). RAL colors (SP) are available, please specify RAL#.



Union Made
 Affiliated with
 IBEW Local 363

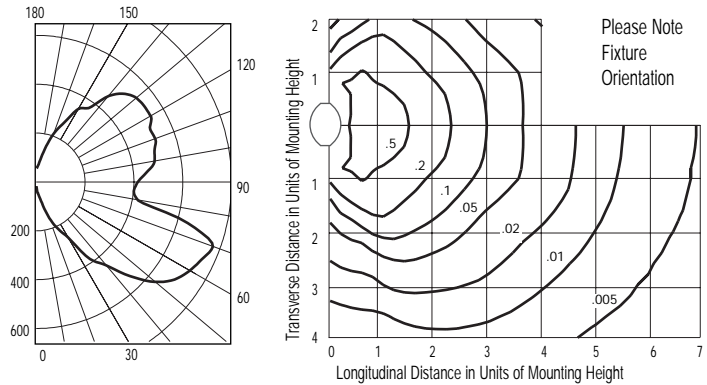
SELUX Corp. © 2003
 PO Box 1060, 5 Lumen Lane
 Highland, NY 12528
 TEL: (845) 691-7723
 FAX: (845) 691-6749
 E-mail: seluxus@selux.com
 Web Site: www.selux.com/usa
 CDO-0403-01 (ss-V3.13)

In a continuing effort to offer the best product possible, we reserve the right to change, without notice, specifications or materials that in our opinion will not alter the function of the product. Specification sheets found at www.selux.com/usa are the most recent versions and supercede all other printed or electronic versions.

MTR Refractor

Catalog # CDO-10 -H100
Report # SX 7982

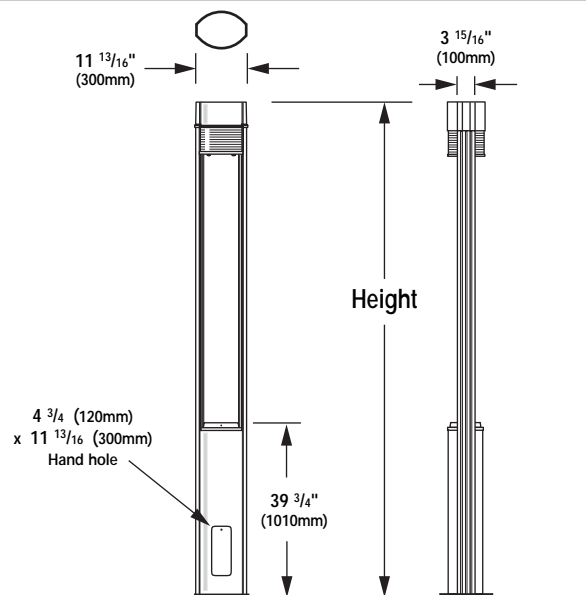
- Innovative multi-prisms for total reflection incorporates light-bending characteristics of a prism. US patent no. 4,669,034.
- Directs light precisely with minimum intensity at critical viewing angles.
- Blends efficiency with visual comfort.
- Maximum candela of 780 at 70° from vertical.



HID Lamp Prorate Table (ED-17 Coated, Base-Up Lamp)					
High Pressure Sodium			Metal Halide		
Wattage	Factor	Initial Lumens	Wattage	Factor	Initial Lumens
50	0.47	3700	50	0.44	3400
70	0.74	5800	70	0.64	5000
100	1.13	8800	100	1.00	7800

Conversion Chart	
Values based on 10' (3m) mounting height.	
Mounting Height	Multiply
8' (2.4m)	1.56
10' (3m)	1.00

Profile



Anchorage Information

Stub conduit above footing by others. Suggested anchor bolt projection 1 - 1 1/2" (25 - 38mm). Concrete footing designed and installed by others. Conduit opening = Ø 4 1/2" (114mm). Supplied with four, 3/4 x 15" (19 x 381mm) anchor bolts and template.

NOTE: Determine orientation before setting anchor bolts.

