

Beta Lantern

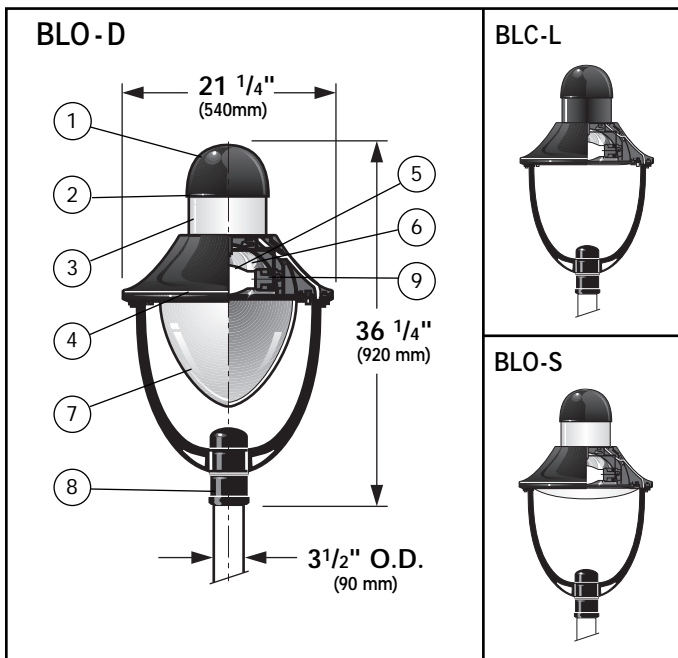


Project: _____

Type: _____ Qty: _____

Fixture Series	Shielding	Reflector	Mounting	Lamp Type/Wattage	Finish	Voltage
Pole Series	Height	Finish	Options			

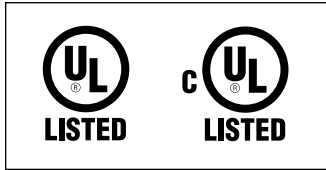
Series	Shielding	Reflector	Mounting	Lamp Type / Wattage		Finish	Voltage
				Metal Halide	HPS		
BLO Beta Lantern Open	D Polycarbonate Diffuser	R3 Type III Aluminum reflector	1 Single	H050* 50w	S050* 50w	WH White	120
	L Tempered Glass Lens	R5 Type V Aluminum reflector	2 Double	H070 70w	S070 70w	BK Black	208
BLC Beta Lantern Closed	S Sagged Glass Lens		W Wall Mount	H100 100w	S100 100w	BZ Bronze	240
				H150 150w	S150 150w	SV Silver	277
				H175 175w		SP Specify RAL#	347
* Only available in 120v and 277v							



- 1. Fixture Cap** - Decorative aluminum fixture cap removable for ballast access.
 - 2. Gasketing** - Continuous molded gaskets provide weather-proofing, dust, and insect control.
 - 3. Upper Diffuser (Open Version)** - A seamless acrylic opal upper diffuser allows light to spill onto fixture hood, enhancing the appearance of the fixture.
 - 4. Fixture Hood** - Decorative aluminum shade with hinged door for lamp access (no special tools required).
 - 5. Lamp** - One ED-17 metal halide up to 175w or high pressure sodium up to 150w. Clear horizontal lamp recommended for R3 reflector. Clear vertical lamp recommended for R5 reflector. Lamp provided by others.
 - 6. Reflector** - Precision formed aluminum reflector available with a Type III or Type V distribution.
 - 7. Shielding** - Specify polycarbonate diffuser (D), tempered flat glass lens (L) or tempered sagged glass lens(S). Polycarbonate diffuser is vacuum formed, clear, U.V. stabilized, and has a pebble grain texture. The diffuser becomes luminous when lit, providing a pleasing glow. All three are secured using a captive ring and are easily removable for access to lamp (no special tools required).
 - 8. Pole Fitter** - Cast aluminum fitter secures to pole with three stainless steel Allen head set screws. 3" (76 mm) I.D. external fitter for 3" (76 mm) tennon on 3 1/2" (90 mm) O.D. pole.
 - 9. Socket** - Pulse rated porcelain medium base socket pre-wired to ballast at factory.
 - 10. Ballast** - (Not shown) A high power factor, open core and coil ballast regulates voltage for H.I.D. lamp. Consult factory for detailed ballast information.
- Exterior Luminaire Finish** - SELUX utilizes a high quality Polyester Powder Coating. All SELUX luminaires and poles undergo a five stage intensive pretreatment process where product is thoroughly cleaned, phosphated and sealed. SELUX powder coated products provide excellent salt and humidity resistance as well as ultra violet resistance for color retention. All products are tested in accordance with test specifications for coatings from ASTM and PCI.

Standard exterior colors are White (WH), Black (BK), Bronze (BZ), and Silver (SV). RAL colors (SP) are available, please specify RAL#.

In a continuing effort to offer the best product possible, we reserve the right to change, without notice, specifications or materials that in our opinion will not alter the function of the product. Specification sheets found at www.selux.com/usa are the most recent versions and supercede all other printed or electronic versions.



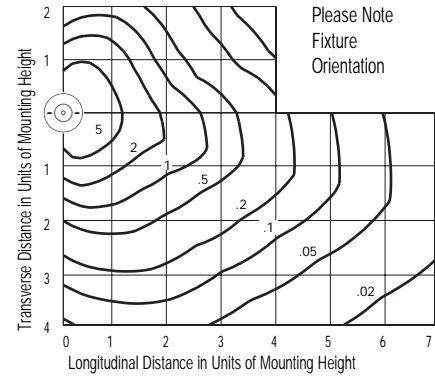
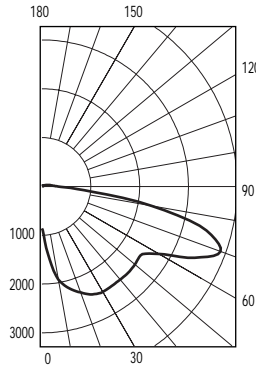
**Union Made
 Affiliated with
 IBEW Local 363**

SELUX Corp. © 2003
 PO Box 1060, 5 Lumen Lane
 Highland, NY 12528
 TEL (845) 691-7723
 FAX (845) 691-6749
 E-mail: seluxus@selux.com
 Web Site: www.selux.com/usa
 BL-0204-01 (ss-V3.31)

Type III Reflector

Catalog # BLC-D-R3-H175
Report # SX 7852

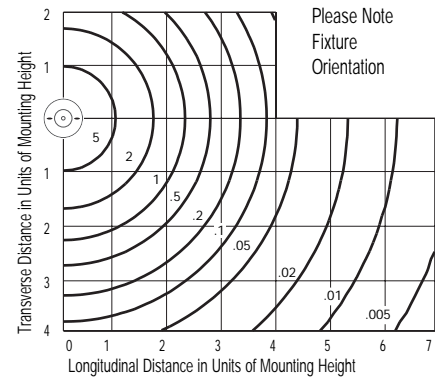
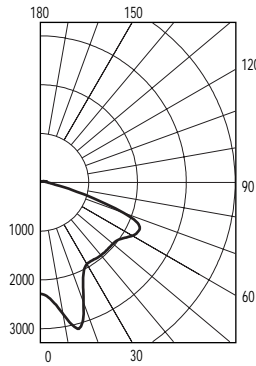
- Precision formed aluminum reflector with specular kick reflectors to precisely control distribution.
- Ideal for applications demanding maximum spacing.
- Maximum candela of 3804.0 at 70.0° from vertical.
- IES classification - Type III Semi-cutoff.



Type V Reflector

Catalog # BLC-D-R5-H175
Report # LSI 13594

- Precision formed aluminum reflector with vertical, base up lamp.
- Ideal for applications demanding a uniform symmetric light distribution.
- Maximum candela of 3144.0 at 15.0° from vertical.
- IES classification - Type V Cutoff.



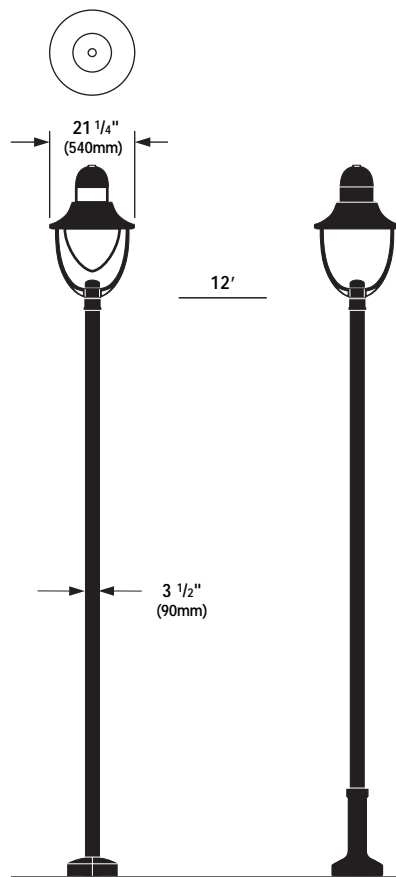
HID Lamp Prorate Table (ED-17 Clear, Medium-Base Lamp)					
High Pressure Sodium			Metal Halide		
Wattage	Factor	Initial Lumens	Wattage	Factor	Initial Lumens
50	0.26	3700	50	0.24	3400
70	0.41	5800	70	0.36	5000
100	0.63	8800	100	0.56	7800
150	1.04	14500	150	0.89	12500
			175	1.00	14000

Conversion Chart	
Values based on 12' mounting height.	
Mounting Height	Multiply
10'	1.44
12'	1.00
14'	0.73
16'	0.56
18'	0.44

Mounting

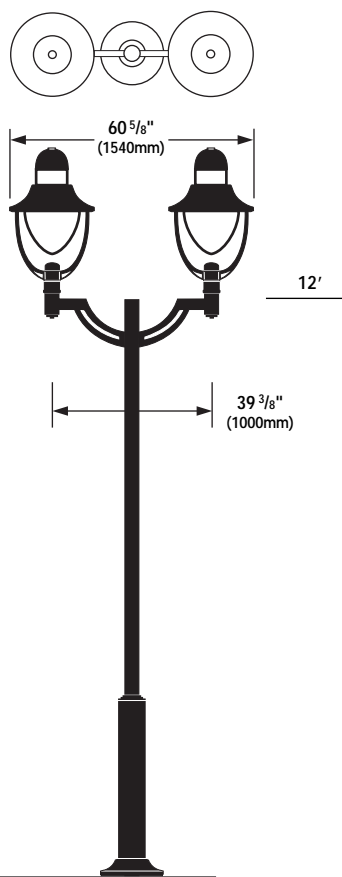
Single

Die-cast aluminum fitter base secured to pole with three, stainless steel, Allen head set screws.



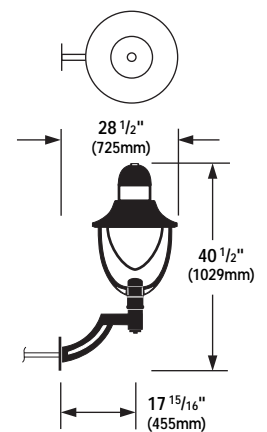
Double

Die-cast aluminum double luminaire mounting arm for pole mounted fixtures. Secured to pole with (4) stainless steel Allen head bolts.



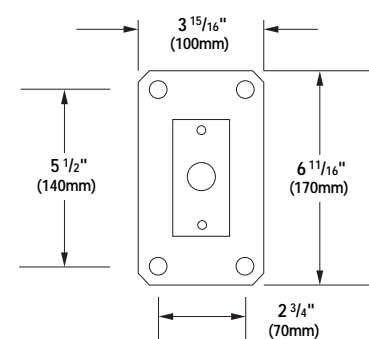
Wall

Die-cast aluminum wall mount arm. Secured to wall with 1/4" diameter threaded fasteners (by others).



Wall Arm Mounting Detail

(Conduits and mounting hardware by others.)



Beta Lantern

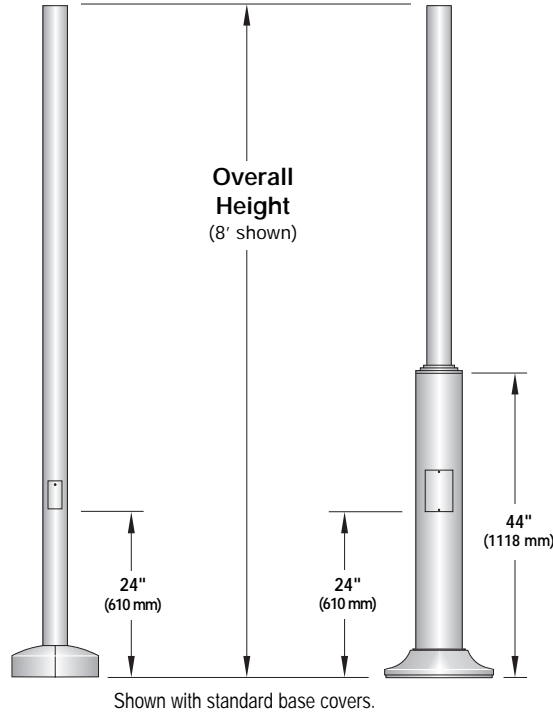


Pole Information

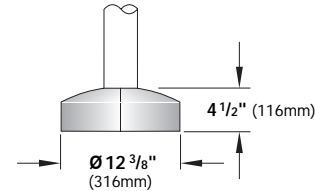
Refer to A35, S635, or S35 Pole specification sheets for construction details, anchorage information and additional options.

A35 & S35
Round Straight Aluminum
& Round Straight Steel Poles

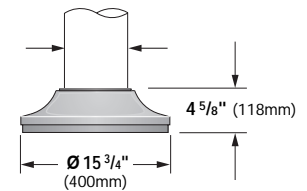
S635
Round Stepped
Steel Pole



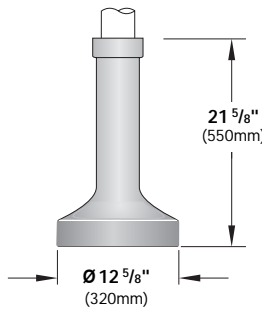
Straight Poles (A35 & S35)
BC5 Standard Base Cover
Two-piece cast aluminum



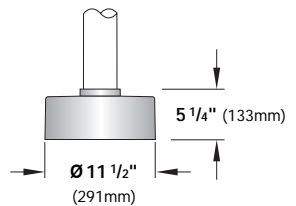
Stepped Steel Pole (S635)
BC6 Standard Base Cover
One-piece cast aluminum



BC1 Optional Base Cover
(A35 & S35) One-piece cast aluminum



BC4 Optional Base Cover
(A35 & S35) One-piece cast aluminum



Pole Series	Bolt Circle	EPA Information (ft ²)					Height	Finish	Options
		70 mph	80 mph	90 mph	100 mph	110 mph			
S635 3 1/2" Diameter Stepped Steel Pole	9"	57.6	44.3	34.6	27.5	22.8	8 8 ft.	WH White BK Black	BC1 Decorative Cast Aluminum Base Cover (for A35 & S35 poles only)
A35 3 1/2" Diameter Straight Aluminum Pole	7 3/4"	16.1	12.2	9.4	7.3	5.9			
S35 3 1/2" Diameter Straight Steel Pole	7 3/4"	14.8	11.3	8.6	6.7	5.4			
S635 3 1/2" Diameter Stepped Steel Pole	9"	45.6	35.0	27.3	21.6	17.8	10 10 ft.	BZ Bronze SV Silver	BC4 One-piece Cast Aluminum Base Cover (for A35 & S35 poles only)
A35 3 1/2" Diameter Straight Aluminum Pole	7 3/4"	12.4	9.3	7.1	5.4	4.3			
S35 3 1/2" Diameter Straight Steel Pole	7 3/4"	11.4	8.6	6.5	4.9	3.9			
S635 3 1/2" Diameter Stepped Steel Pole	9"	37.6	28.7	22.3	17.5	14.4	12 12 ft.	SP Specify RAL#	REC GFCI Receptacle with weather-proof cover*
A35 3 1/2" Diameter Straight Aluminum Pole	7 3/4"	9.9	7.3	5.4	4.0	3.1			
S35 3 1/2" Diameter Straight Steel Pole	7 3/4"	9.1	6.7	4.9	3.6	2.8			
S635 3 1/2" Diameter Stepped Steel Pole	9"	31.7	24.2	18.6	14.6	11.9	14 14 ft.	PCT Photocell Tenon	PC Photocell (for doubles only)
A35 3 1/2" Diameter Straight Aluminum Pole	7 3/4"	8.0	5.8	4.2	3.0	2.2			
S35 3 1/2" Diameter Straight Steel Pole	7 3/4"	7.3	5.3	3.8	2.7	1.9			
S635 3 1/2" Diameter Stepped Steel Pole	9"	21.7	15.8	12.3	9.6	7.6	16 16 ft.		* Weatherproof cover intended for portable tools or other portable equipment connected to the outlet only when attended. For other requirements please consult factory.
A35 3 1/2" Diameter Straight Aluminum Pole	7 3/4"	4.9	3.2	2.2	1.4	.08			
S35 3 1/2" Diameter Straight Steel Pole	7 3/4"	4.4	2.8	1.9	1.2	0.6			

Other pole configurations available, consult factory.

EPA Calculations allow for 1.3 Gust Factor

Effective Projected Area of Single Luminaire = 1.46 ft² (0.14m²) / Weight of Single Luminaire = 27.5 lbs (12.5kg)

Effective Projected Area of Double Luminaire = 4.35 ft² (0.40m²) / Weight of Double Luminaire (includes arms) = 85.0 lbs (38.7kg)

SELUX Corp. © 2003

PO Box 1060, 5 Lumen Lane
Highland, NY 12528
BL-0204-04 (6-49011-00)

TEL: (845) 691-7723 FAX: (845) 691-6749
E-mail: seluxus@selux.com
Web Site: www.selux.com/usa

In a continuing effort to offer the best product possible, we reserve the right to change, without notice, specifications or materials that in our opinion will not alter the function of the product. Specification sheets found at www.selux.com/usa are the most recent versions and supercede all other printed or electronic versions.