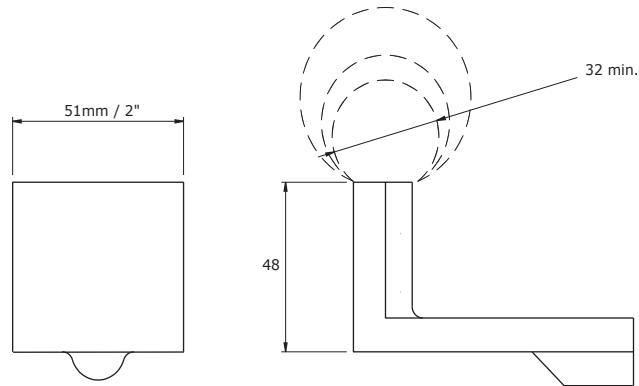
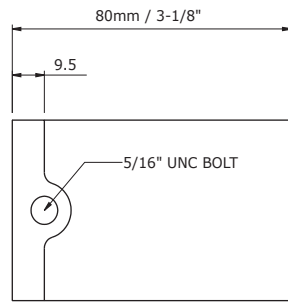


Wall mounted handrail bracket



FB-02

Wall mounted handrail bracket

Assembly Components:

The FB-02 wall mounted bracket comes complete with 1/2" dia. wall anchor, handrail bracket and all necessary fasteners.

The FB-02 can be used with both round and flat handrail profiles. Round profile must have a 3/4" flat surface where it comes in contact with the bracket in order to sit flush.

Material:

Stainless Steel

Finish: Brushed

Recycled content:
80 - 100%

Installation:

Set 1/2" dia anchor into concrete or 2" (approx.) solid backing or wood stud behind each bracket.

For more detailed instructions contact componce.

Warranty: We extend a complete replacement warranty on our products when used for the intended purpose in the proper application. We will replace any componce supplied part found to be defective. Engineering of the supplied component in assembly with any other part is the sole responsibility of the purchaser, the specifier or any agent acting on behalf of the purchaser or specifier. Any liability of componce is limited to the value of the supplied part(s).

Vancouver
p: 604.771.5128

British Columbia Canada
e: info@componce.com www.componce.com


componce