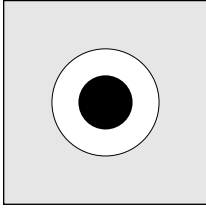


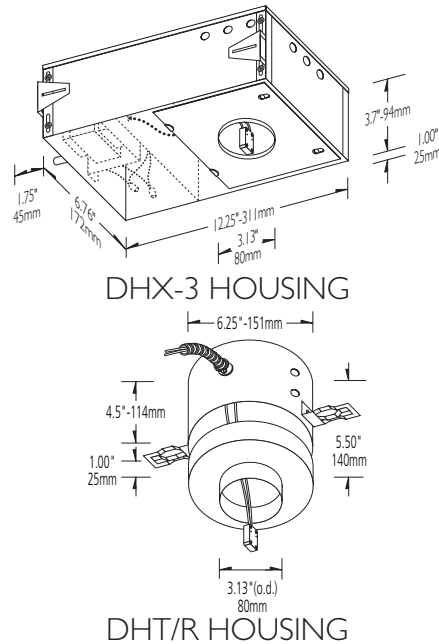
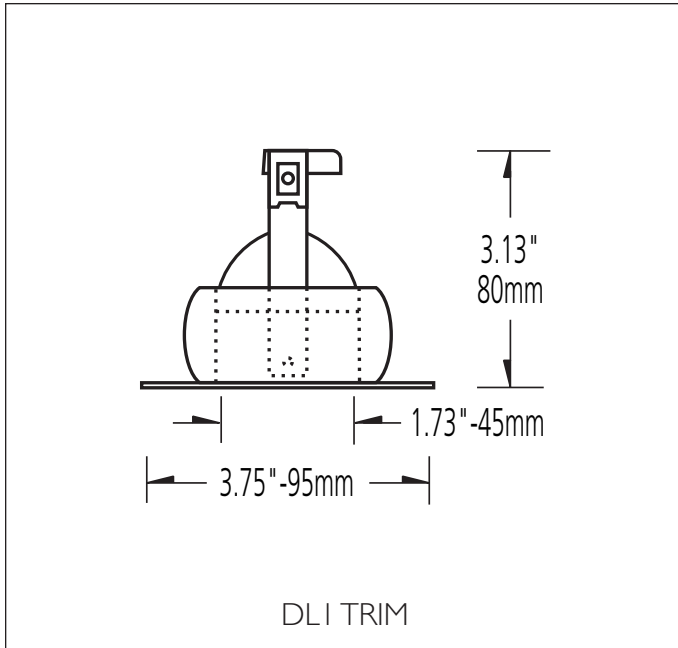
# DLI - Fixed Compact RECESSED DOWNLIGHT



## PRODUCT SPECIFICATION

Cat. No.    Finish

DLIW	Matte White
DLIB	Matte Black
DLIC	Polished Chrome
DLIG	Polished Brass



### GENERAL DESCRIPTION

Lucifer recessed downlight is a fixed low voltage fixture with **flush trim plate**. Round opening. Uses a quartz halogen lamp for superior color rendition and beam control. Clear glass lens is supplied with fixture.

### MOUNTING

Use with **DHX-3** housing with integral magnetic or electronic transformer for non-IC, accessible ceilings only. Use with **DHT/R** housing and remote transformer for non-IC, accessible ceilings only. DHT/R housing includes 5 foot conduit with leads and pre-wired mating connectors for quick trim connection. Hanging bars and brackets are included.

### MATERIAL

Trim is constructed of steel. Fixture housing is riveted aluminum.

### ACCESSORIES

Trim may be accessorized with Frosted Glass Lens (FGL-2), Linear Spread Lens (LSL-2), MR-11 Lamp Adapter (LA), Honeycomb Louvre (HCL-2), Spread Glass Lens (SGL-2) and Ultra Violet Glass Lens (UVL-2).

### LABEL

U.L. listed trim and housings for dry and damp, non-IC locations. Accessible ceilings only. File No. E115025.

### ELECTRICAL

Trim is pre-wired for use in housing assembly.

### TRANSFORMER

DHX-3 housing is supplied with an integral 120v or 277v primary, 12v secondary magnetic transformer or 120v primary, 12v secondary electronic transformer. DHT/R housing is powered by remote transformer sized to load (order separately). Standard 120v primary, 12v secondary. All transformers are fully dimmable.

### LAMP

12v MR-16 halogen lamp, 50w maximum (order separately). Specify lamp beam spread. Manufacturer recommends use of Osram Sylvania's energy saving 37w Tru-Aim® IR halogen lamps which convert more energy into light than conventional 50w MR-16 lamps. Tru-Aim® IR halogen lamps can be ordered from Lucifer Lighting for use in fixture. See [luciferlighting.com](http://luciferlighting.com) for lamp specification logic.

### ENERGY CONSERVATION

Manufacturer recommends use of Osram Sylvania's energy saving 37w Tru-Aim® IR halogen lamps which convert more energy into light than conventional 50w MR-16 lamps. Tru-Aim® IR halogen lamps can be ordered from Lucifer Lighting for use in fixture. See [luciferlighting.com](http://luciferlighting.com) for lamp specification guide.

### WARRANTY

Manufacturer's one year warranty of product is conditioned on use of manufacturer supplied transformers.

**LUCIFER**  
LIGHTING COMPANY

414 Live Oak Street  
San Antonio, Texas 78202  
Phone 210 227-7329  
FAX 210 227-4967  
[www.luciferlighting.com](http://www.luciferlighting.com)

©2004 Lucifer Lighting Company

As part of its policy of continuous research and product development, the Company reserves the right to change or withdraw specifications without prior notice.

0925-1004