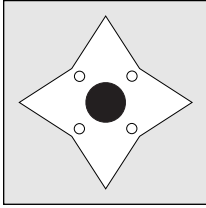


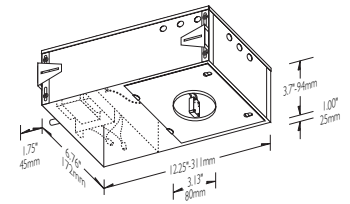
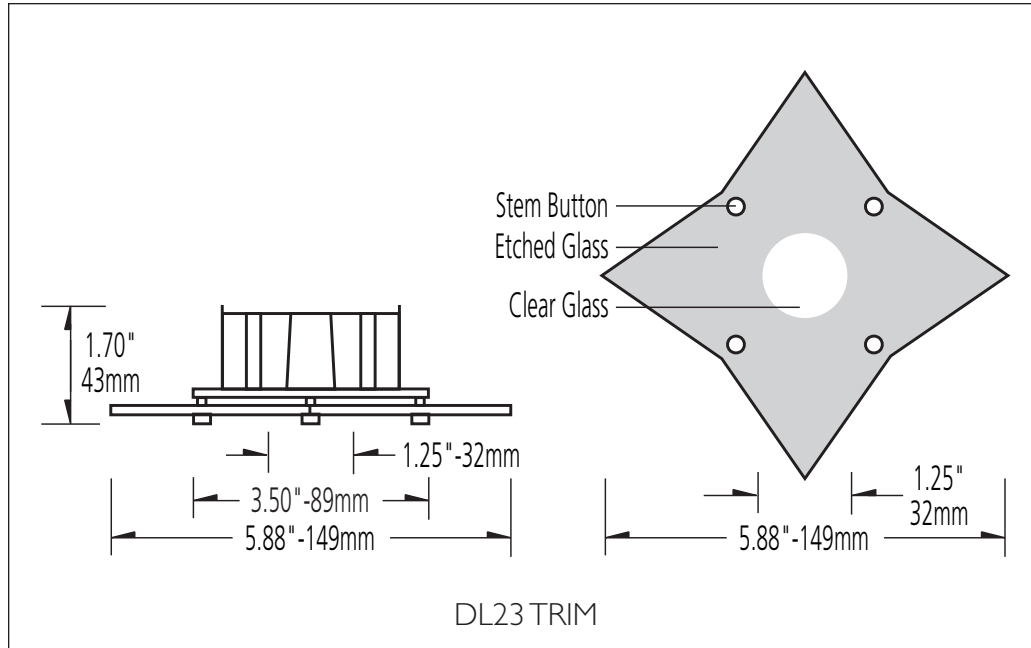
# DL23 - Glass Star

## RECESSED FIXED DOWNLIGHT

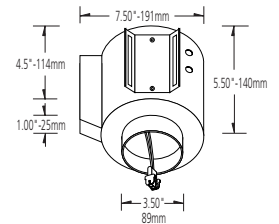
# PRODUCT SPECIFICATION



Cat. No.	Finish
DL23W	Matte White
DL23B	Matte Black
DL23C	Polished Chrome
DL23G	Polished Brass



**DHX-3 HOUSING**  
for accessible ceilings  
(Use DL23)



**DHT/ZF HOUSING**  
for non-accessible ceilings  
(Use DL23Z)

### GENERAL DESCRIPTION

Decorative low voltage recessed downlight with suspended, frosted glass star with clear round glass center which is closed. Glass is retained in position by posts with chromed buttons. Fixture may be re-lamped from room side without removal of trim from housing. Uses a quartz halogen lamp for superior color rendition and beam control. Frosted glass lens is supplied with fixture.

### MOUNTING

Use DL23Z with DHT/ZF housing with integral electronic transformer (50w maximum) in non-insulated, non-accessible ceilings. Use DL23 with DHX-3 housing with integral magnetic or electronic transformer (50w maximum) in non-insulated, accessible ceilings only. Distinguishing characteristic of DHX-3 housing is shallow construction, under 4 inches in depth. Hangar bars and brackets are included.

### MATERIAL

Trim is constructed of steel with suspended borosilicate glass. Fixture housings are riveted aluminum and welded.

### LABEL

U.L. Listed trim and housings for dry and damp, non-IC locations. File No. E115025.

### ACCESSORIES

Trim may be accessorized with up to two effects devices. Colored glass lense options include: Blue (DGL-B), Green (DGL-G), Pink (DGL-P), Red (DGL-R), and Yellow (DGL-Y). Additional accessories include: Clear Glass Lens (CGL-1) and Spread Glass Lens (SGL-1).

### ELECTRICAL

Trim is pre-wired for use in housing assembly.

### TRANSFORMER

DHT/ZF housing is supplied with 120v primary, 12v secondary integral electronic transformer. DHX-3 housing is supplied with an integral 120v or 277v primary, 12v secondary magnetic transformer or an integral 120v primary, 12v secondary electronic transformer. All transformers are dimmable.

### LAMP

12v MR-16 halogen lamp, 50w maximum (order separately). Specify wattage and lamp beam spread.

### ENERGY CONSERVATION

Manufacturer recommends use of Osram Sylvania's energy saving 37w Tru-Aim® IR halogen lamps which convert more energy into light than conventional 50w MR-16 lamps. Tru-Aim® IR halogen lamps can be ordered from Lucifer Lighting for use in fixture. See luciferlighting.com for lamp specification guide.

### WARRANTY

Manufacturer's one year warranty of product is conditioned on use of manufacturer supplied transformers.

**LUCIFER**  
LIGHTING COMPANY

414 Live Oak Street  
San Antonio, Texas 78202  
Phone 210 227-7329  
FAX 210 227-4967  
www.luciferlighting.com

©2004 Lucifer Lighting Company

As part of its policy of continuous research and product development, the Company reserves the right to change or withdraw specifications without prior notice.

0960-1004