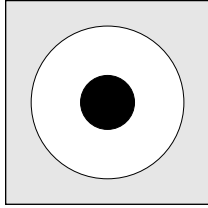
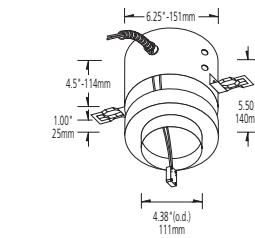
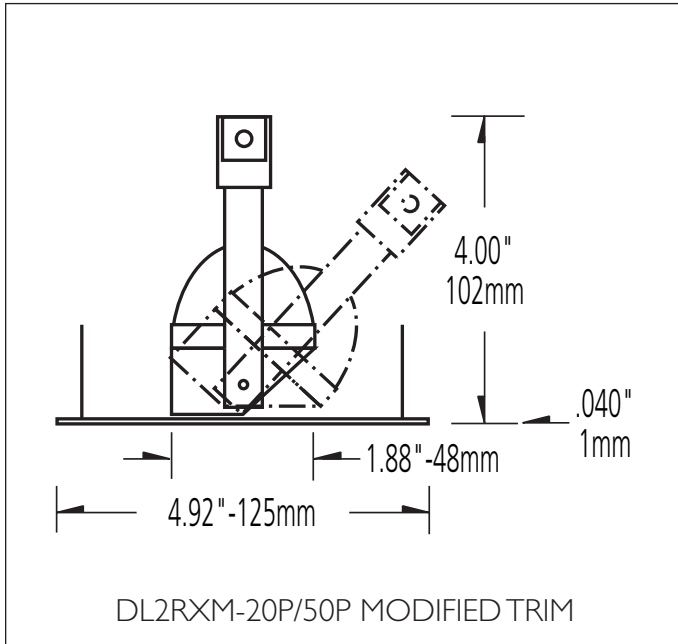


DL2RXM-20P/50P - Round Modified RECESSED ADJUSTABLE DOWNLIGHT

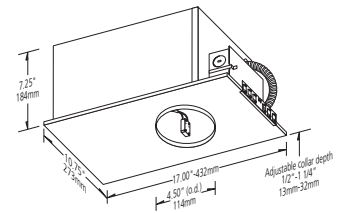


PRODUCT SPECIFICATION

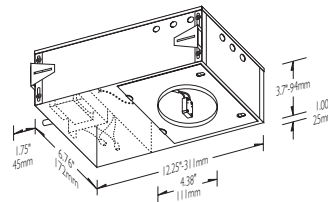
Cat. No.	Finish
DL2RXM-20P/50PW	Matte White
DL2RXM-20P/50PB	Matte Black
DL2RXM-20P/50PC	Polished Chrome
DL2RXM-20P/50PG	Polished Brass



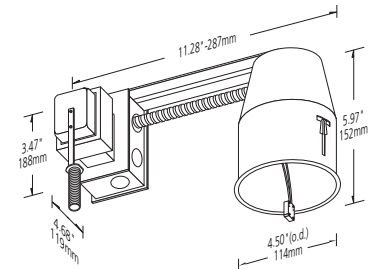
DHT/P-6 HOUSING



DHI-6 HOUSING



DHX-6 HOUSING



DHM-6 HOUSING

GENERAL DESCRIPTION

Lucifer recessed downlight is an adjustable low voltage fixture with **flush trim plate**. Round opening is adjustable 45° from vertical with integral locking device accessible from below. **Uses a Philips halogen aluminum reflector lamp** for superior color rendition and beam control.

MOUNTING

Use with **DHT/P-6** housing and remote transformer (50w maximum) for non-insulated accessible ceilings only. DHT/P-6 housing includes 5 foot conduit with leads and pre-wired mating connectors for quick trim connection. Use with **DHX-6** housing with integral magnetic or electronic transformer (50w maximum) for non-insulated accessible or non-accessible ceilings. Distinguishing characteristic of DHX-6 housing is shallow construction, under 4 inches in depth, U.L. listed for through branch circuit wiring. Use with **DHI-6** housing with integral magnetic transformer (50w maximum) for insulated, accessible or non-accessible ceilings. Use with **DHM-6** housing with integral magnetic transformer (50w maximum) for non-insulated remodel and existing construction. Hanging bars and brackets are included for all housings.

MATERIAL

Trim is constructed of steel. Fixture housings are riveted aluminum or spot welded steel.

ACCESSORIES

Trim may be accessorized with Honeycomb Louvre (HCL-2), Frosted Glass Lens (FGL-2) Spread Glass Lens (SGL-2) and Ultra Violet Glass Lens (UVL-2).

LABEL

U.L. listed trim and housings for dry and damp locations. File No. EI 15025.

TRANSFORMER

DHX-6 housing is supplied with standard 120v primary, 12v secondary, integral magnetic or electronic transformer. DHT/P-6 housing is powered by remote transformer (order separately) sized to load. DHI-6 and DHM-6 housings are supplied with standard 120v primary, 12v secondary, integral magnetic transformer. All transformers are fully dimmable. Optional 277v primary, 12v secondary, magnetic for DHX-6, DHI-6 and DHM-6 housings.

LAMP

DL2RXM-20P uses 12v, 20w, and DL2RXM-50P uses 12v, 50w, Philips closed aluminum reflector (ALR) halogen lamp (order separately). Specify lamp beam spread as spot (GB) or narrow flood (GBK).

ENERGY CONSERVATION

Manufacturer recommends use of Osram Sylvania's energy saving 37w Tru-Aim® IR halogen lamps which convert more energy into light than conventional 50w MR-16 lamps. Tru-Aim® IR halogen lamps can be ordered from Lucifer Lighting for use in fixture. See luciferlighting.com for lamp specification guide.

WARRANTY

Manufacturer's one year warranty of product is conditioned on use of manufacturer supplied transformers.

LUCIFER
LIGHTING COMPANY

414 Live Oak Street
San Antonio, Texas 78202
Phone 210 227-7329
FAX 210 227-4967
www.luciferlighting.com

©2004 Lucifer Lighting Company

As part of its policy of continuous research and product development, the Company reserves the right to change or withdraw specifications without prior notice.

0931-1004