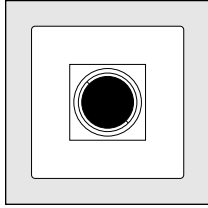


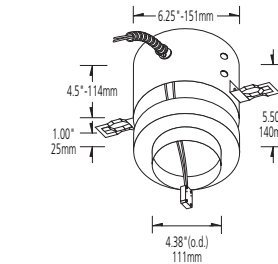
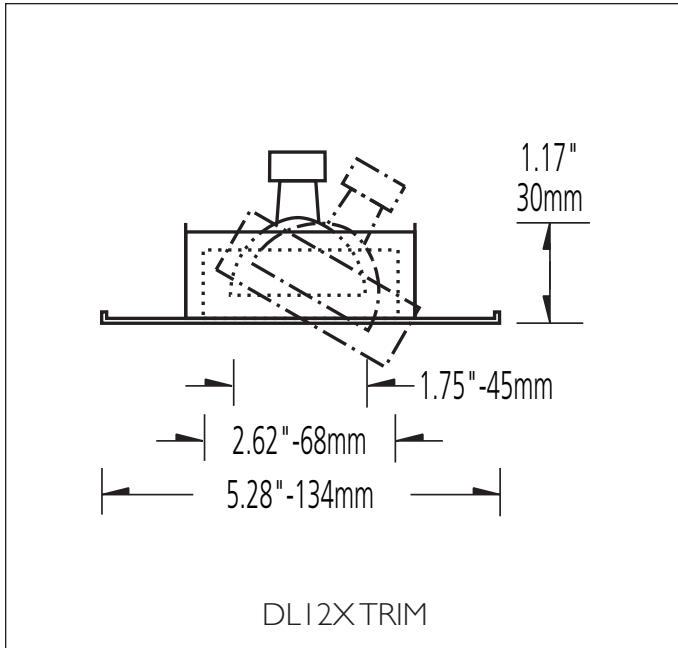
# DLI2X - Adjustable Square Standard RECESSED DOWNLIGHT

## PRODUCT SPECIFICATION

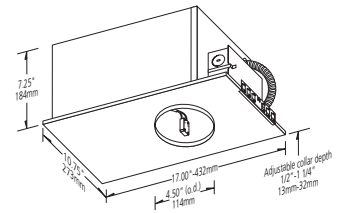


### Cat. No. Finish

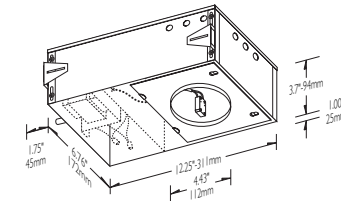
DLI2XW	Matte White
DLI2XB	Matte Black
DLI2XC	Polished Chrome
DLI2XG	Polished Brass



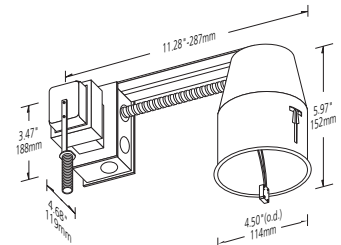
DHT/P HOUSING



DHI HOUSING



DHX-I HOUSING



DHM HOUSING

### GENERAL DESCRIPTION

Lucifer recessed downlight is an adjustable low voltage fixture with **expanded, turned up trim plate**. Adjustable die-cast square fitting with square interior fitting. Round opening is adjustable 30° from vertical. Uses a quartz halogen lamp for superior color rendition and beam control. Clear glass lens is supplied with fixture.

### MOUNTING

Use with **DHT/P** housing and remote transformer (50w maximum) for non-insulated, accessible ceilings only. DHT/P housing includes 5 foot conduit with leads and pre-wired mating connectors for quick trim connection. Use with **DHX-I** housing with integral magnetic or electronic transformer, 120v primary, 12v secondary (75w maximum) or integral magnetic transformer 277v primary, 12v secondary (50w maximum). The DHX-I is for use with non-insulated, accessible or non-accessible ceilings. Distinguishing characteristic of DHX-I housing is shallow construction, under 4 inches in depth, U.L. Listed for through branch circuit wiring. Use with **DHI** housing with integral magnetic transformer (50w maximum) for insulated, accessible or non-accessible ceilings. Use with **DHM** housing with integral magnetic transformer (50w maximum) for non-insulated remodel and existing construction. **DHC** City of Chicago listed plenum housing with integral magnetic transformer (50w maximum) not shown, but available. Hanging bars and brackets are included for all housings.

### MATERIAL

Trim is constructed of steel. Fixture housings are riveted aluminum.

### ACCESSORIES

Trim may be accessorized with Frosted Glass Lens (FGL-I), Linear Spread Lens (LSL-I), MR-11 Lamp Adapter (LA), Honeycomb Louvre (HCL-I), Spread Glass Lens (SGL-I), Ultra Violet Glass Lens (UVL-I), and Black Louvre (LVR).

**LUCIFER**  
LIGHTING COMPANY

414 Live Oak Street  
San Antonio, Texas 78202  
Phone 210 227-7329  
FAX 210 227-4967  
www.luciferlighting.com

### LABEL

U.L. Listed trim and housings for dry and damp locations. File No. EI 15025.

### ELECTRICAL

Trim is pre-wired for use in housing assembly.

### TRANSFORMER

DHX-I, DHI, DHC, and DHM housings are supplied with an integral 120v or 277v primary, 12v secondary magnetic transformer. DHX-I can also be supplied with an integral 120v primary, 12v secondary electronic transformer. DHT/P housing is powered by remote transformer sized to load (order separately). All transformers are fully dimmable.

### LAMP

12v MR-16 halogen lamp (order separately). Specify lamp beam spread. See Mounting section for maximum lamp wattage per housing.

### ENERGY CONSERVATION

Manufacturer recommends use of Osram Sylvania's energy saving 37w Tru-Aim® IR halogen lamps which convert more energy into light than conventional 50w MR-16 lamps. Tru-Aim® IR halogen lamps can be ordered from Lucifer Lighting for use in fixture. See luciferlighting.com for lamp specification guide.

### WARRANTY

Manufacturer's one year warranty of product is conditioned on use of manufacturer supplied transformers.

©2004 Lucifer Lighting Company

As part of its policy of continuous research and product development, the Company reserves the right to change or withdraw specifications without prior notice.