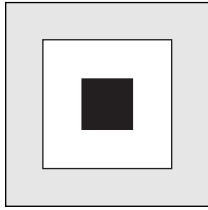
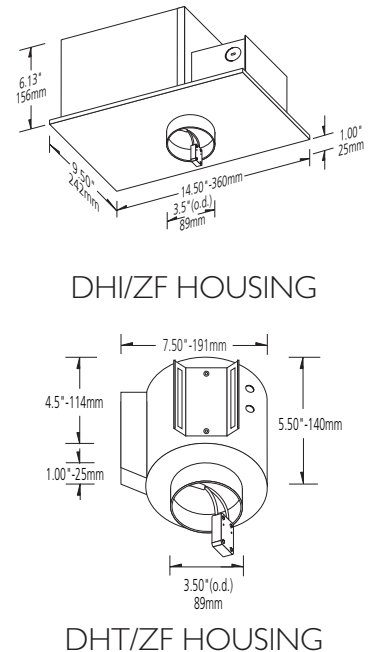
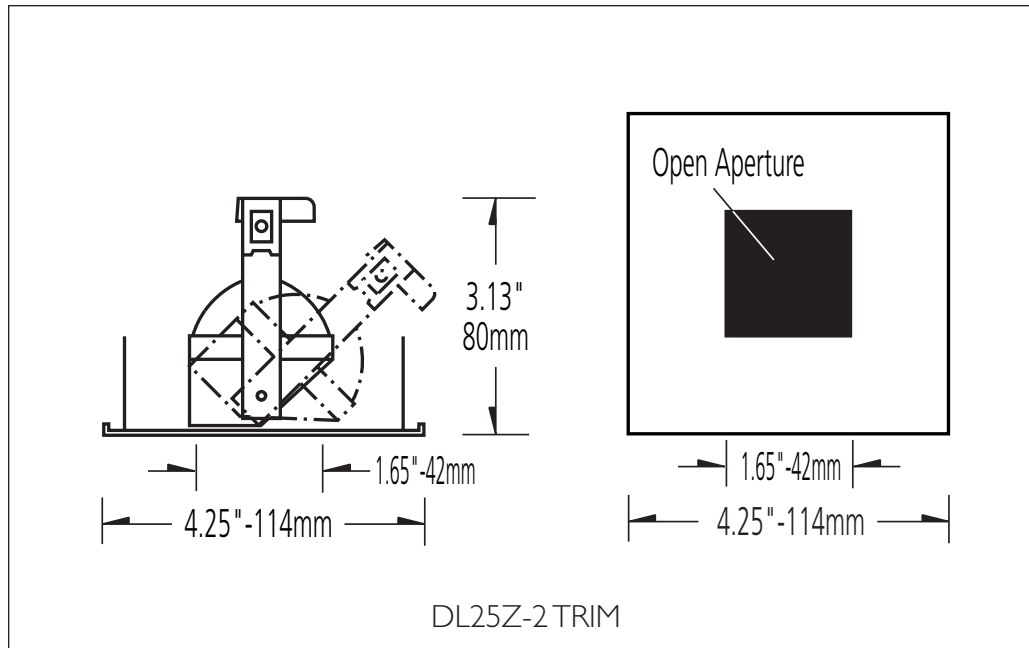


# DL25Z-2 - Square Open Aperture RECESSED ADJUSTABLE DOWNLIGHT

## PROVISIONAL PRODUCT SPECIFICATION



| Cat. No.  | Finish                  |
|-----------|-------------------------|
| DL25Z-2SW | Matte White             |
| DL25Z-2SB | Matte Black             |
| DL25Z-2SS | Brushed Stainless Steel |



### GENERAL DESCRIPTION

Lucifer recessed downlight is a square, adjustable, low-voltage fixture, with square lampholder, for use in dry or damp locations. Square **open aperture** is adjustable from below at 35° from vertical and can be locked in position with set screw provided. Fixture incorporates trim plate with minimal return for mounting in plaster or drywall ceilings with minimal protrusion over ceiling line. Uses a quartz halogen lamp.

### MOUNTING

Use DL25Z-2 with **DHT/ZF** housing with integral electronic transformer (50w maximum) for non-IC, accessible and non-accessible ceilings which do not exceed 1 inch thickness. Housing butterfly brackets can be adjusted by loosening thumb-turn posts within housing to align housing neck with finish ceiling line. Use with **DHI/ZF** housing with integral electronic transformer (50w maximum) for insulated, air-tight, accessible or non-accessible ceilings which do not exceed 1 inch thickness. Hanging bars are included.

### MATERIAL

Trim is constructed of steel. Painted finishes are granulated powder coat. Fixture housings are riveted aluminum.

### LABEL

Listing pending for dry and damp, non-IC and IC locations.

### TRANSFORMER

DHT/ZF and DHI/ZF housings are powered by a 120v primary, 12v secondary, integral electronic transformer, (50w maximum), which is dimmable. Remote transformer units are available.

### LAMP

12v MR-16 halogen lamp, 50w maximum (order separately). Specify lamp beam spread. Consult factory regarding availability of new MR-16 IR energy savings lamp series with 37w rated lamp equivalent to 50w output and 50w rated lamp at or near 65w output.

### ENERGY CONSERVATION

Manufacturer recommends use of Osram Sylvania's energy saving 37w Tru-Aim® IR halogen lamps which convert more energy into light than conventional 50w MR-16 lamps. Tru-Aim® IR halogen lamps can be ordered from Lucifer Lighting for use in fixture. See [luciferlighting.com](http://luciferlighting.com) for lamp specification guide.

### WARRANTY

Manufacturer's one year warranty of product is conditioned on use of manufacturer supplied transformers.

**LUCIFER**  
LIGHTING COMPANY

414 Live Oak Street  
San Antonio, Texas 78202  
Phone 210 227-7329  
FAX 210 227-4967  
[www.luciferlighting.com](http://www.luciferlighting.com)

©2004 Lucifer Lighting Company

As part of its policy of continuous research and product development, the Company reserves the right to change or withdraw specifications without prior notice.

1029-1004