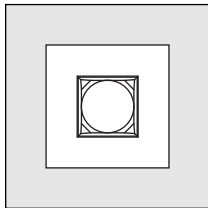


DL31Z

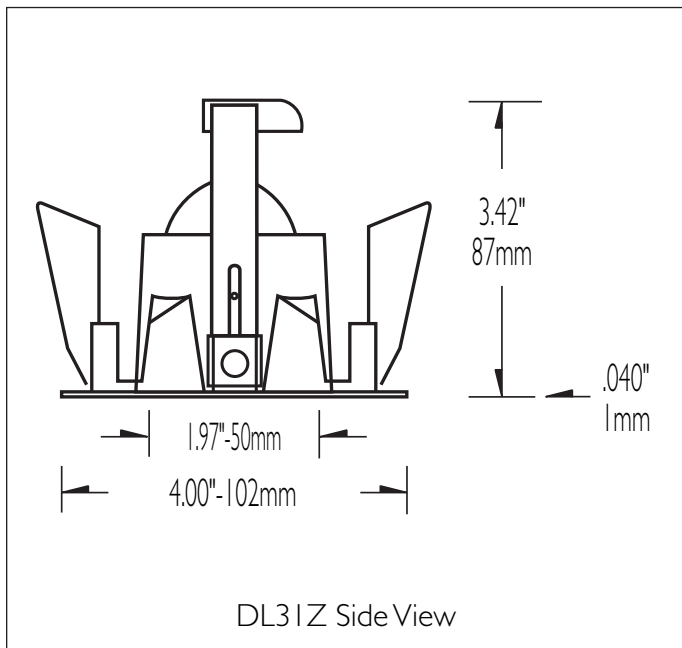
SQUARE FIXED DOWNLIGHT



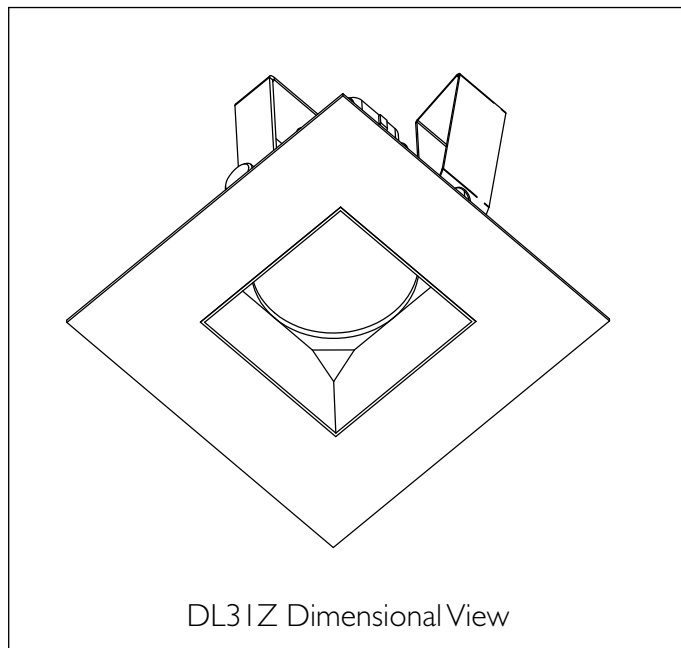
PROVISIONAL PRODUCT SPECIFICATION

Cat. No. Finish

DL31Z-W	Matte White
DL31Z-B	Matte Black
DL31Z-SS	Brushed Stainless
DL31Z-IG	Industrial Gray



DL31Z Side View



DL31Z Dimensional View

GENERAL DESCRIPTION

Square recessed wallwasher with regressed black square knife-edged aperture with sheer trim plate and internal kick reflector with integral frosted lens for uniform wallwashing. Die cast interior baffle eliminates aperture flash or glare. Recommended fixture spacing is 2.50 feet on center, with 15 to 18 inch setback from wall plane. Trim is integrated with housing for mounting in plaster or drywall ceilings with plaster stop for zero sightline, or for mounting in drywall ceilings with minimal protrusion of trim flange over ceiling line. Uses a G.E. halogen lamp for optimal color rendition and beam uniformity, or new SLI metal halide lamp for higher lumens per watt. Patent pending.

MOUNTING

Use with model DHT/Z housing with electronic power supply for non-IC and accessible and non-accessible ceilings, and model DHI/Z housing with same power supply for IC accessible and non-accessible ceilings.

MATERIAL

Trim is constructed of steel and aluminum. Painted finishes are granulated powder coat.

ACCESSORIES

Trim may be accessorized with Soft Focus Lens (SFL-2), Linear Spread Lens (LSL-2), Honeycomb Louvre (HCL-2), Spread Glass Lens (SGL-2), Ultra Violet Glass Lens (UVL-2), and Warm Tone Lens (WTL-2).

LABEL

Listing pending.

LAMP

12v MR-16 halogen lamp, 50w maximum, to include MR-16 IR energy savings lamp series by Osram with 37w equivalent to 50w output and 50w rated lamp at or near 65w output in standard beam options. Fixture also accepts new MR-16 style ES16 SLI, 39w metal halide lamp in 24° spot, 38° narrow flood or 60° flood. Order lamp separately and specify lamp beam spread.

WARRANTY

Manufacturer's one year warranty of product is conditioned on use of manufacturer supplied transformers or ballast.

LUCIFER LIGHTING COMPANY

414 Live Oak Street
 San Antonio, Texas 78202
 Phone 210 227-7329
 FAX 210 227-4967
 www.luciferlighting.com

©2005 Lucifer Lighting Company

As part of its policy of continuous research and product development, the Company reserves the right to change or withdraw specifications without prior notice.

0000-0405