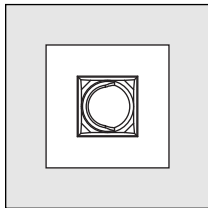


# DL35Z

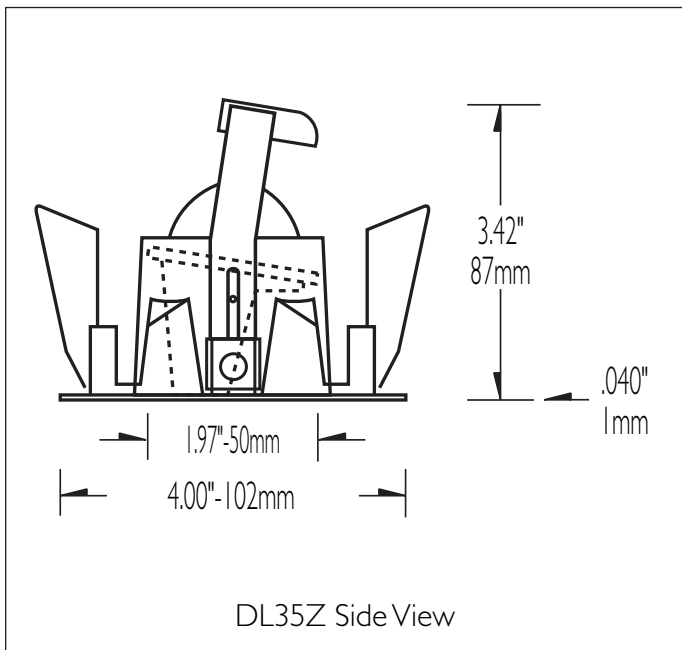
## SQUARE RECESSED WALLWASHER



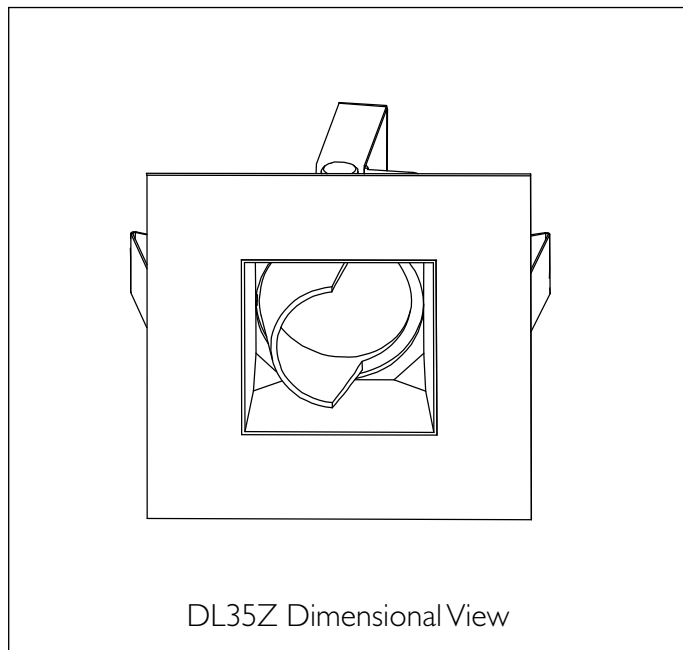
## PROVISIONAL PRODUCT SPECIFICATION

Cat. No.    Finish

|          |                   |
|----------|-------------------|
| DL35Z-W  | Matte White       |
| DL35Z-B  | Matte Black       |
| DL35Z-SS | Brushed Stainless |
| DL35Z-IG | Industrial Gray   |



DL35Z Side View



DL35Z Dimensional View

### GENERAL DESCRIPTION

Square recessed wallwasher with regressed black square knife-edged aperture with sheer trim plate and internal kick reflector with integral frosted lens for uniform wallwashing. Die cast interior baffle eliminates aperture flash or glare. Recommended fixture spacing is 2.50 feet on center, with 15 to 18 inch setback from wall plane. Trim is integrated with housing for mounting in plaster or drywall ceilings with plaster stop for zero sightline, or for mounting in drywall ceilings with minimal protrusion of trim flange over ceiling line. Uses a G.E. halogen lamp for optimal color rendition and beam uniformity, or new SLI metal halide lamp for higher lumens per watt. Patent pending.

### MOUNTING

Use with model DHT/Z housing with electronic power supply for non-IC and accessible and non-accessible ceilings, and model DH/Z housing with same power supply for IC accessible and non-accessible ceilings.

### MATERIAL

Trim is constructed of steel and aluminum. Painted finishes are granulated powder coat.

### ACCESSORIES

Trim may be accessorized with only one lens, the Ultra Violet Glass Lens (UVL-2) or a Peach 2700°K Warm Tone Lens (WTL-2). The Wallwasher has a permanently installed Frosted Lens (FGL-2) standard.

### LABEL

Listing pending.

### LAMP

12v MR-16 halogen lamp, 50w maximum (order separately). For optimal even illuminance, it is recommended that this fixture be lamped with a G.E. constant color 50w medium flood lamp, ANSI code EXK. The metal halide version uses a 38°, 39 watt SLI ES16 lamp.

### WARRANTY

Manufacturer's one year warranty of product is conditioned on use of manufacturer supplied transformers or ballast.

## LUCIFER LIGHTING COMPANY

414 Live Oak Street  
 San Antonio, Texas 78202  
 Phone 210 227-7329  
 FAX 210 227-4967  
 www.luciferlighting.com

©2005 Lucifer Lighting Company  
 As part of its policy of continuous research and product development, the Company reserves the right to change or withdraw specifications without prior notice.