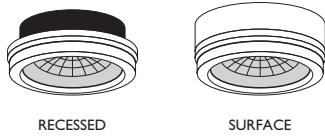


# PUKLIGHT®

## LENSED

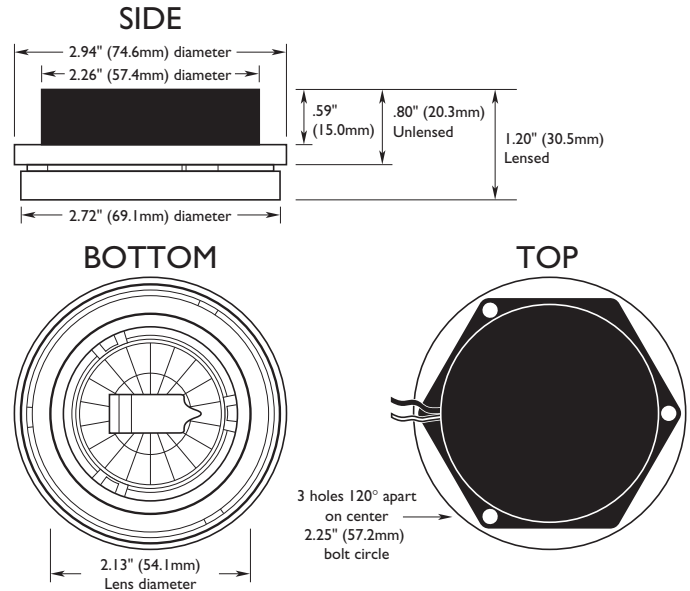


## PRODUCT SPECIFICATION

Catalog No.	Finish	Lamp
LPK-12-10-W	Matte white	Quartz halogen, 12v 10w Max
LPK-12-10-B	Matte black	Quartz halogen, 12v 10w Max
LPK-12-10-C	Satin chrome	Quartz halogen, 12v 10w Max
LPK-12-10-G	Satin brass	Quartz halogen, 12v 10w Max

(see reverse side for complete list of Puklight Catalog Nos.)

### LOW VOLTAGE MINI-DOWNLIGHT



#### GENERAL DESCRIPTION

Low voltage palm-size lighting fixture with unique twist-on lens retainer. It can accommodate (1) lens accessory only. A 12v 10w maximum bi-pin G4 base quartz halogen lamp is standard. Relamping is done from front of fixture after 1/4 turn and removal of lens retainer. Fixture can be recessed or surface mounted. Clear or frosted lens available.

#### MOUNTING

If recessed, the fixture is mounted in a hole 2 1/4" in diameter and 5/8" deep using three screws through the mounting holes provided.

#### MATERIAL

Housing and trim are high temperature injection molded thermoplastic. Reflector is plated die cast metal. Lens is tempered glass. Wire is teflon coated high temperature stranded wire.

#### FINISH

Matte White  
Matte Black  
Satin Chrome  
Satin Brass

#### LABEL

U.L. Listed Class II. File No. E141044, when ordering a lensed Puklight with a plug-in transformer. ETL Listed Class II when ordering a lensed Puklight with a wire-in transformer.

#### ELECTRICAL

Fixture is pre-wired with 18 AWG 200°C wire exiting from the side of the fixture. 6" pig-tails are provided for easy connections.

#### OPTIONS

Fixture available in ready-to-install kits of 1 to 6 Puklights. Kits include: 10w quartz halogen lamps and one 12v 60w wire-in or plug-in electronic transformer. Transformers are Class II U.L. Approved. Accessories include black honeycomb louver and colored lenses. Bi-pin xenon 12v 10w maximum lamp in clear or frosted also available. (refer to reverse side for ordering information).

#### PATENTS

U.S. and foreign patents.

# LUCIFER

## LIGHTING COMPANY

414 Live Oak Street  
San Antonio, Texas 78202  
Phone 210 227-7329  
FAX 210 227-4967  
www.luciferlighting.com

©2002 Lucifer Lighting Company

As part of its policy of continuous research and product development, the Company reserves the right to change or withdraw specifications without prior notice.

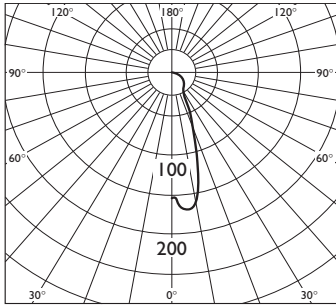
0971-0502

# PUKLIGHT® LENSED

## PHOTOMETRICS - PUKLIGHT with Clear Lens

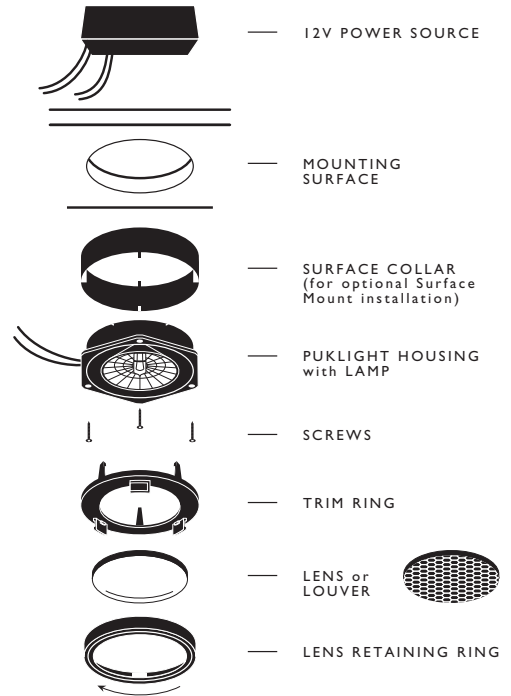
CANDLEPOWER SUMMARY		
Angle	Across	Output Lumens
0	158	15
5	170	15
10	157	15
15	104	26
20	55	36
25	36	15
30	28	12
35	24	12
40	21	13
45	19	13
50	18	12
55	14	8
60	8	4
65	1	1
70	1	1
75	0	1
80	1	1
85	1	1
90	0	0

Efficiency = 71.1% S/MH = .6 SC = .6



50% Beam width = 30.8°		
Distance (ft.)	Footcandles	Beam Dia. (ft.)
0.5	630.0	0.28
1.0	158.0	0.55
1.5	70.2	0.83
2.0	39.8	1.10
2.5	25.3	1.38
3.0	17.6	1.65
3.5	12.9	1.93
4.0	9.9	2.20
4.5	7.8	2.48
5.0	6.3	2.78
5.5	5.2	3.03
6.0	4.4	3.31

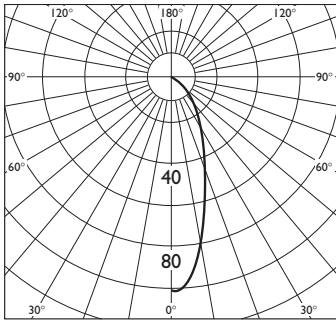
## INSTALLATION



## PHOTOMETRICS - PUKLIGHT with Frosted Lens

CANDLEPOWER SUMMARY		
Angle	Across	Output Lumens
0	101	9
5	97	9
10	83	18
15	64	16
20	47	14
25	36	14
30	28	11
35	23	8
40	19	8
45	15	8
50	12	8
55	9	8
60	6	4
65	4	4
70	3	2
75	2	2
80	1	1
85	1	1
90	0	0

Efficiency = 59.2% S/MH = .6 SC = .6



50% Beam width = 36.6°		
Distance (ft.)	Footcandles	Beam Dia. (ft.)
0.5	404.0	0.33
1.0	101.0	0.66
1.5	44.9	0.99
2.0	25.3	1.32
2.5	16.2	1.65
3.0	11.2	1.98
3.5	8.2	2.32
4.0	6.3	2.65
4.5	5.0	2.98
5.0	4.0	3.31
5.5	3.3	3.64
6.0	2.8	3.97

Photometrics by Lighting Sciences, Inc., Scottsdale, Arizona, a nationally recognized testing facility serving the illumination industry, in accordance with current IES published procedures. Beam width to 50% maximum candlepower. To convert to meters and lux, multiply feet x .3048 and footcandles x 10.75.

## ORDERING

### PUKLIGHT with Clear Lens

Catalog No.

Description

LPK-12-10-\*  
LPK-SC-12-10-\*

**Recessed** Puklight housing, trim ring with clear glass lens, and 12v 10w halogen lamp  
**Surface** Puklight housing, trim ring with clear glass lens, surface mount collar, and 12v 10w halogen lamp

### PUKLIGHT CLEAR LENS KITS with clear lens, surface mount collar, and 12v, 10w halogen lamps

LPKT-1-\*  
LPKT-2-\*  
LPKT-3-\*  
LPKT-4-\*  
LPKT-5-\*  
LPKT-6-\*

1 fixture & 1 12v 60w wire-in electronic transformer  
2 fixtures & 1 12v 60w wire-in electronic transformer  
3 fixtures & 1 12v 60w wire-in electronic transformer  
4 fixtures & 1 12v 60w wire-in electronic transformer  
5 fixtures & 1 12v 60w wire-in electronic transformer  
6 fixtures & 1 12v 60w wire-in electronic transformer

**Note:** To substitute 12v 60w plug-in electronic transformer, use **LPKP** prefix instead of **LPKT** prefix

### PUKLIGHT with Frosted Lens

FPK-12-10-\*  
FPK-SC-12-10-\*

**Recessed** Puklight housing, trim ring with frosted glass lens and 12v 10w halogen lamp  
**Surface** Puklight housing, trim ring with frosted glass lens, surface mount collar, and 12v 10w halogen lamp

### PUKLIGHT FROSTED LENS KITS with frosted lens, surface mount collar, and 12v, 10w halogen lamps

FPKT-1-\*  
FPKT-2-\*  
FPKT-3-\*  
FPKT-4-\*  
FPKT-5-\*  
FPKT-6-\*

1 fixture & 1 12v 60w wire-in electronic transformer  
2 fixtures & 1 12v 60w wire-in electronic transformer  
3 fixtures & 1 12v 60w wire-in electronic transformer  
4 fixtures & 1 12v 60w wire-in electronic transformer  
5 fixtures & 1 12v 60w wire-in electronic transformer  
6 fixtures & 1 12v 60w wire-in electronic transformer

**Note:** To substitute 12v 60w plug-in electronic transformer, use **FPKP** prefix instead of **FPKT** prefix

## LAMP OPTIONS

12-05-XH-\*\*  
12-10-XH-\*\*

12 volt, 5 watt, bi-pin xenon lamp  
12 volt, 10 watt, bi-pin xenon lamp

## ACCESSORIES

(Louvers and colored lens accessories for use with a lensed Puklight only)

FGL-3  
CGL-3  
HCL-3  
GL-B  
GL-G  
GL-R

Frosted glass lens  
Clear glass lens  
Honeycomb louver (black) - 45° glare cut off  
Glass lens - blue  
Glass lens - green  
Glass lens - red

WMC-1/10  
WC-1/10  
W-18/2-10

Wire mounting clip - to fasten wire to wall or surface - 10 per pack  
Wire connector and splice adapter - 10 per pack  
Installation wire - 18 gauge/2 conductors - 10 ft. length

\* Specify one color per catalog number: **W** - Matte white **B** - Matte black **C** - Satin chrome **G** - Satin brass

\*\* Specify: **CL** - Clear **FR** - Frosted