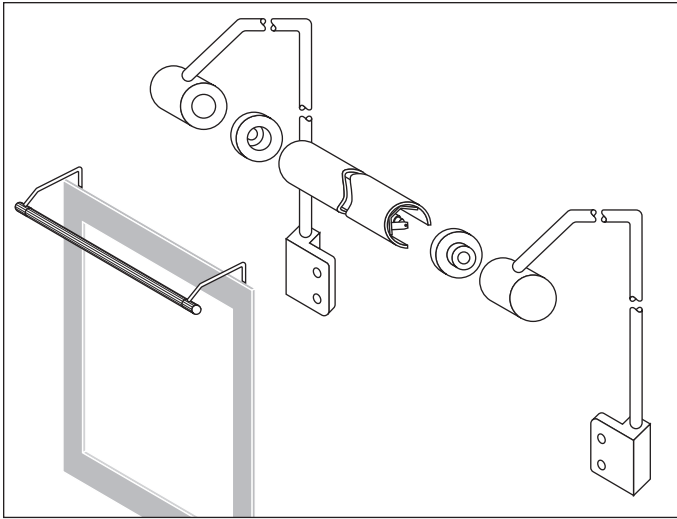
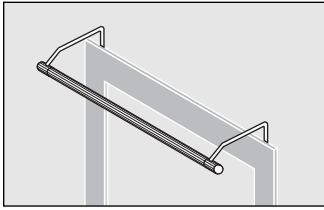


VERSAILLES

ADJUSTABLE PICTURE LIGHT



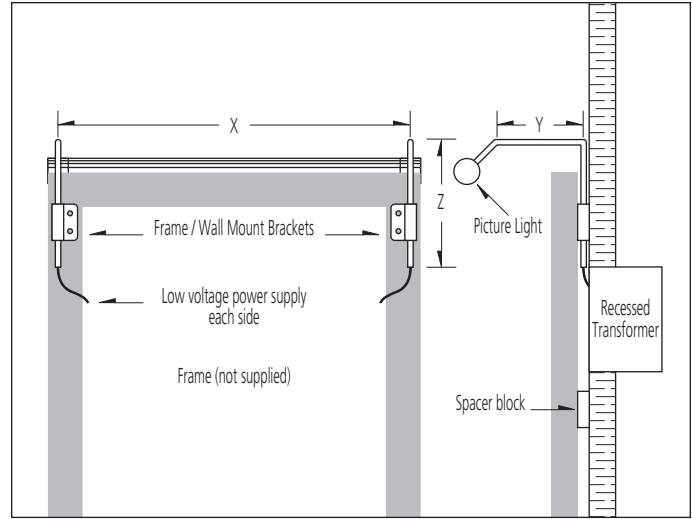
VERSAILLES PICTURE LIGHT

PROVISIONAL PRODUCT SPECIFICATION

Cat. No.	Length	Arm Setback	Finish	Lamp Options
VER	*	*	**	24v 3w 24v 5w 24v 10w

* Specify in inches

** Specify finish: **W** (matte white), **B** (matte black), **BG** (brushed brass), **BC** (brushed chrome), **BN** (lacquered black nickel).



VERSAILLES BACK AND SIDE

GENERAL DESCRIPTION

Precision engineered, adjustable low voltage picture light for illuminating artwork. Suspension arms can be wall or frame mounted. Fixture has free rotation capability thru 90° which can be locked at the desired position. The light source is the long proven Lucifer® Series 3000 Light Strip using 20,000 hour life xenon frosted lamps for uniform illumination. Fixture suitable for institutional, corporate or residential applications.

MOUNTING

Fixture is secured to wall or picture frame using machined metal brackets provided. Metal brackets and arm placement are determined by end cap location. Wall mount option uses standard fixture components. Frame mount option is custom for each order as brackets, arms and end caps are sized to accommodate frame width. Suspension arms include low voltage secondary wiring at two locations as depicted above, which must be routed to transformer customarily concealed behind artwork.

MATERIAL

Fixture lamp holder body is extruded metal. Fixture arms, end caps and bearing caps are machined brass. Support arm mounting brackets are machined aluminum. Lucifer Series 3000 Light Strip is high temperature thermoplastic with brass buss bars.

FINISHES

Available finishes are: Matte White (W); Brushed Brass (BG); Matte Black (B); Brushed Chrome (BC); and Lacquered Black Nickel (BN). All painted finishes are powder coated.

ELECTRICAL

Light Strip uses 24v, 3w, 5w or 10w xenon frosted festoon lamps which have a color temperature of 2800°K. Maximum fixture current draw is 15 amps at 24 volts. Load varies based on lamp selection and fixture length. Listing applied for.

PATENTS

The components of this product are covered under one or more U.S. patents.

WARRANTY

Manufacturer's one-year warranty of product is conditioned on use of manufacturer supplied transformer; which can be recessed, behind artwork.

LUCIFER
LIGHTING COMPANY
 414 Live Oak Street
 San Antonio, Texas 78202
 Phone 210 227-7329
 FAX 210 227-4967
 www.luciferlighting.com

©2002 Lucifer Lighting Company

As part of its policy of continuous research and product development, the Company reserves the right to change or withdraw specifications without prior notice.