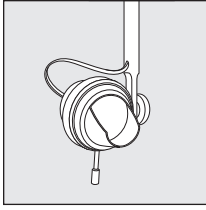


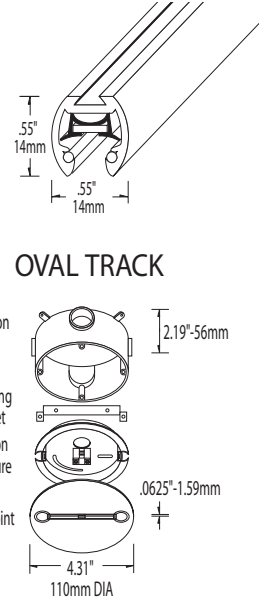
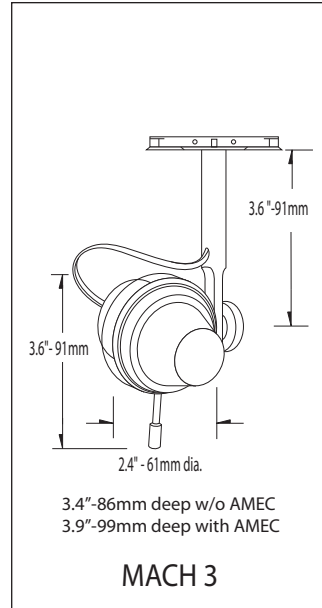
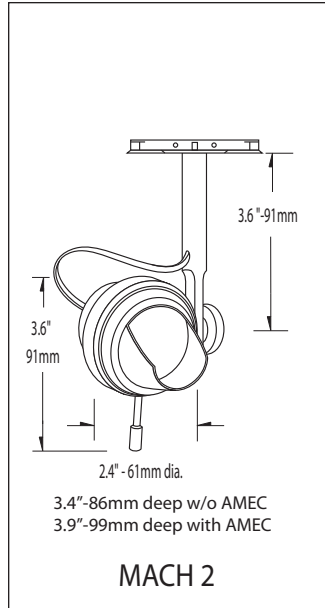
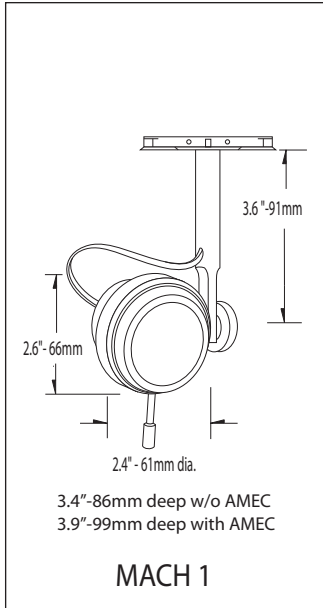
ALTIMA™ Mach 1, 2 & 3

ADJUSTABLE SPOTLIGHTS



PRODUCT SPECIFICATION

Cat. No.	Description	Cat. No.	Description
ATF-35-A	Mach 1, Aluminum	ATF-37-A	Mach 3, Aluminum
ATF-35-B	Mach 1, Satin Black	ATF-37-B	Mach 3, Satin Black
ATF-35-W	Mach 1, Satin White	ATF-37-W	Mach 3, Satin White
ATF-36-A	Mach 2, Aluminum		
ATF-36-B	Mach 2, Satin Black		
ATF-36-W	Mach 2, Satin White		



(See Mach assembly drawing on next page.)

GENERAL DESCRIPTION

MACH 1, 2 & 3 are low voltage, highly adjustable spotlights. MACH 2 has a kick reflector for wall washing. MACH 3 has a full front cowl for accent lighting without spill light. Each model consists of a basic lampholder with standard rear cone to enclose dichroic lamp and reduce backlight. An end cap accessory AMEC is available, which will virtually eliminate all backlight. (AMEC increases spotlight body depth by .5"-13mm.) Detachment of rear cone by rotation allows for installation of up to three effects lenses and louvers to control beam, color temperature and glare. Each model allows three axes of rotation for orientation, tilt and lens/shield rotation. Tilt and rotation are thumbscrew lockable. Frosted glass lens included.

MOUNTING

Spotlights can be inserted into the track at any point along its length and secured into position by depressing mounting clips. Spotlights are suitable for use in a horizontal or vertical position. Optional Lightpoint accessory permits mounting of fixture as monopoint spotlight.

MATERIAL

Spotlight components are machined aluminum.

LAMP

BiMR-16 12v halogen lamp, 50w maximum, 37w maximum when using the end cap accessory AMEC. Specify lamp beam spread. New IR coated MR-16 unlened halogen lamps — 37w (50w output) and 50w (65w output) — offer energy efficient, low heat alternatives. (order lamps separately)

ELECTRICAL

Spotlight installs in ALTIMA Oval, Square, Foil, Curved, and Dual Track. Track is energized by a clip-on power feed that can be inserted into the track at any point along its length, thereby assuring even voltage along the circuit. Track is rated at 25 amps. Maximum wattage is 300 watts per 12v circuit.

ACCESSORIES

Lens, louver, filter options include: UVL-2- ultraviolet glass lens, SGL-2- spread glass lens, LSL-2 - linear spread lens, SFL-2 - soft focus lens, HCL-2 - hexcell louver, and AMEC - end cap.

LABEL

ETL Listed when used with ALTIMA Track and Lightpoint.

TRANSFORMER

Powered by remote TK Series magnetic transformer sized to load or Model ET300 (hard-wire) 300 watt electronic transformer. Standard 120v primary, 12v or 24v secondary. No deration is required for Model TK or ET300 Series transformers. (order transformers separately)

WARRANTY

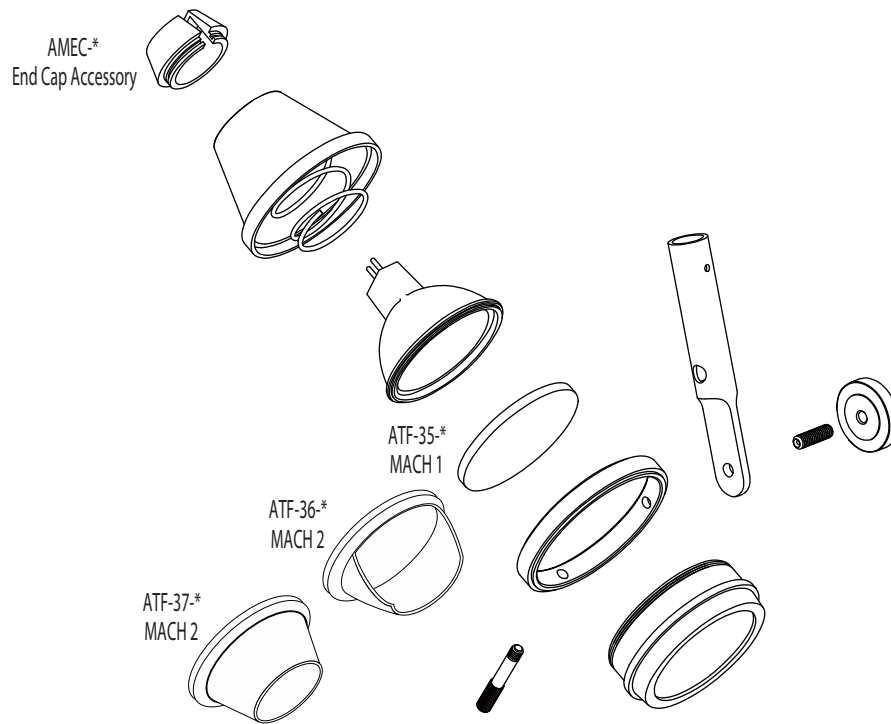
Manufacturer's one year warranty of product is conditioned on use of manufacturer supplied transformers.

LUCIFER
LIGHTING COMPANY

3750 IH35 North
San Antonio, Texas 78219
Phone 210 227-7329
FAX 210 227-4967
www.luciferlighting.com

©2007 Lucifer Lighting Company

As part of its policy of continuous research and product development, the Company reserves the right to change or withdraw specifications without prior notice.



MACH ASSEMBLY