

Task Light The Great 1



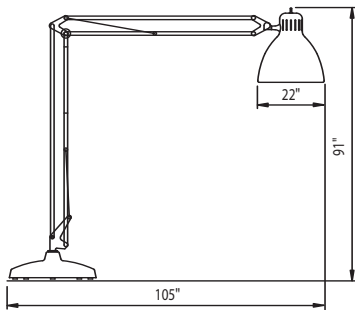
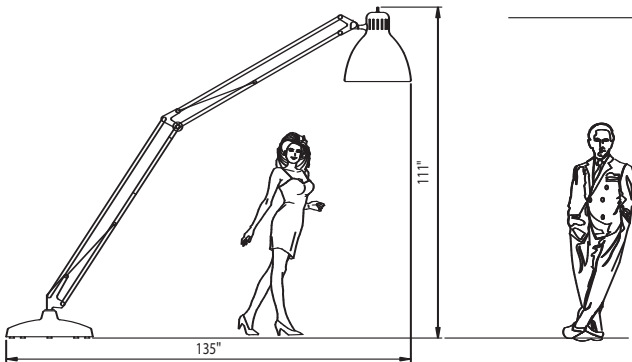
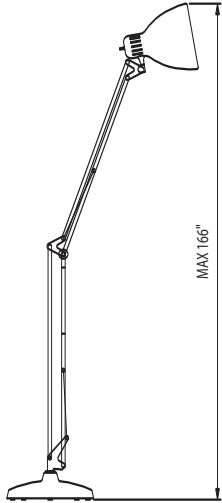
LIGSI

The right light

LUXO

THE GREAT I

The Luxo original LI adjustable arm task light, designed in 1927, has been made "Great". Complete with aluminum shade and external spring balanced arm, this lamp includes all the features of the original Jac Jacobsen lamp in a striking new size.



TECHNICAL SPECIFICATIONS

Lamp:	E27 incandescent or halogen lamps (max 250W) or HF compact fluorescent
Electrical:	Wired for 120V, 60Hz operation.
Control:	Optional dimmer with IR remote control for incandescent and halogen lamp only.
Power Cord:	13.8"
Shade:	Heavy duty spun aluminum.
Weight:	242.5 lbs.
Mounting:	Weighted floor base.
Finish:	Aluminum Gray (AG), White (WT), Black (BK) with chrome accents.

ORDERING GUIDE

Model No.	Description
LIG (SI/WT/BK)	The Great I

PROJECT INFORMATION

Job Name: _____

Location: _____

Fixture Type: _____



Copyright 2006, Luxo Corporation

Luxo Corporation
 200 Clearbrook Road
 Elmsford, New York 10523
 Phone: 800-222-5896
 Fax: 800-648-2978
 www.luxous.com

Luxo Canada
 1957 rue Le Chatelier
 Laval, Québec H7L 5B3
 Phone: 800-361-3993
 Fax: 800-567-9215
 www.luxo.ca

