

The right light

LUXO



WALLE

Design Olle Anderson

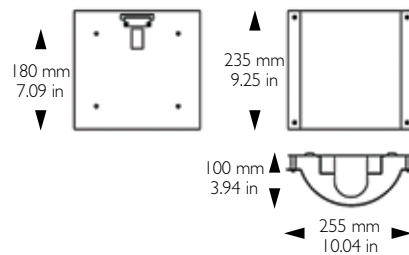
WALLE



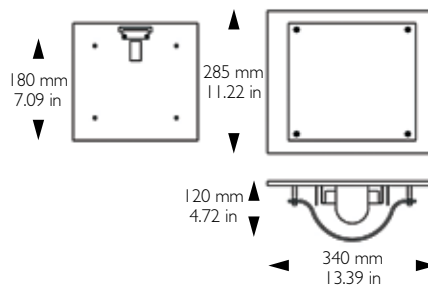
WALLE

Technical Information: Luminaire housing finished in white steel or brushed stainless steel. Diffuser in white steel, white perforated steel, or textured acrylics. Supplied as standard with HF ballast. Some versions are available with emergency lighting unit.

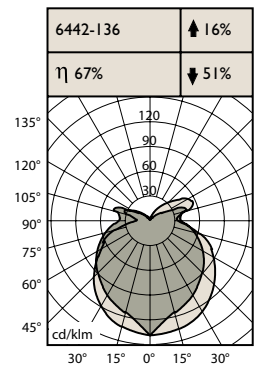
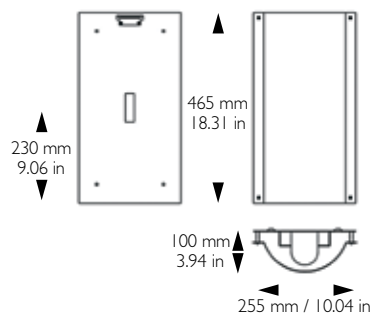
6440-118 WALLE: With its timeless design and choice of shades in different designs and materials, WALLE is suitable for a wide range of applications.



6441-118 WALLE: With its timeless design and choice of shades in different designs and materials, WALLE is suitable for a wide range of applications.



6442-136 WALLE: With its timeless design and choice of shades in different designs and materials, WALLE is suitable for a wide range of applications.



SERIES

WALLE

CONFIGURATION I

6440: Wall, White Perforated Diffuser

6441: Wall, Brushed Stainless Steel Wall Plate, Frosted Glass Diffuser

6442: Wall, Maxi White Perforated Diffuser

LAMPING

I18: 1 X 18W CFL Quad *N/A FOR 6442*

I36: 1 X 36W PLL *ONLY 6442*

CIRCUIT

STD: Single

STD

BALLAST

EB: Electronic HPF <10% THD

EB

VOLTAGE

UNV: Universal Voltage 120V to 277V

FINISH

See Configuration I

SPECIFICATION SUBMITTAL

Job Name: _____ Job Number: _____

SPECIFIER (ENGINEER/ARCHITECT)

Name: _____