

ALARY

Design R. Lanciani

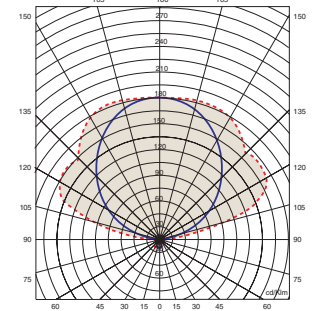
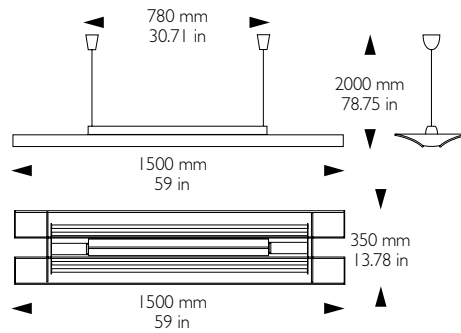
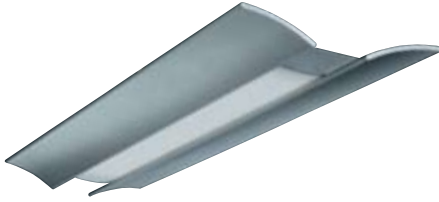
ALARY
SOFT



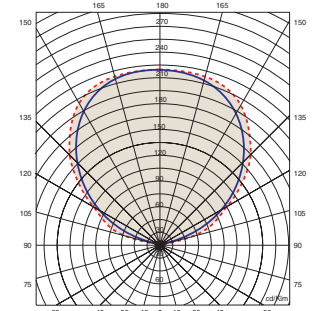
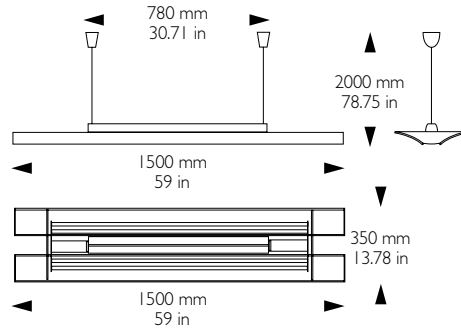
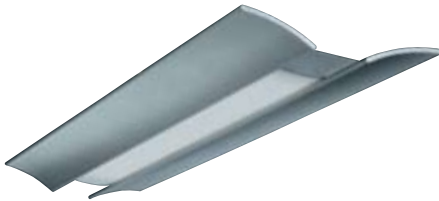
ALARY

Suspensions with indirect and partially direct lighting. Supporting structure with extruded aluminum profiles. Complete with quick adjustment suspension set and feeding wire.

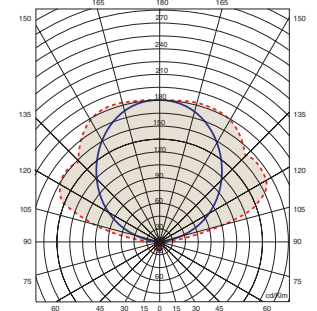
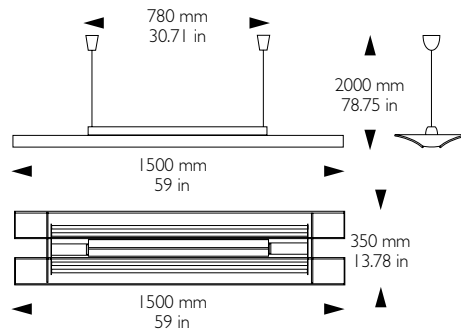
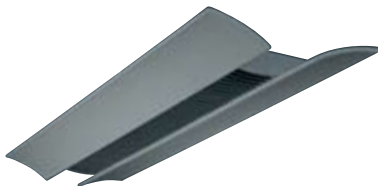
F5001 ALARY DIFFUSED 2 tubes (With Diffuser): Version with direct light emission filtered through an opaline polycarbonate diffuser.



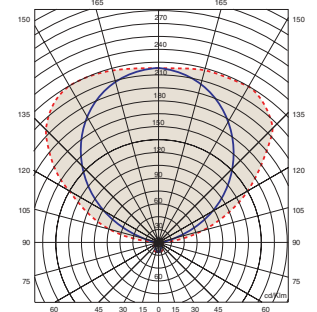
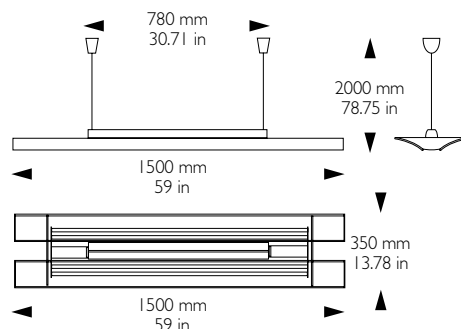
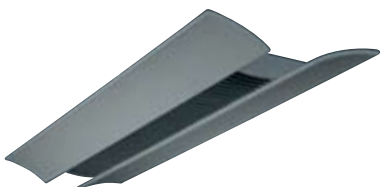
F5003 ALARY DIFFUSED 4 tubes (With Diffuser): Version with direct light emission filtered through an opaline polycarbonate diffuser.



F5010 ALARY SOFT 2 tubes (With Louver): Version with controlled direct Dark Light emission.



F5012 ALARY SOFT 4 tubes (With Louver): Version with controlled direct Dark Light emission.



SERIES

ALARY

CONFIGURATION I

F5001: Alary Diffused 2 tubes (With Diffuser)

F5003: Alary Diffused 4 tubes (With Diffuser)

F5010: Alary Soft 2 tubes (With Louver)

F5012: Alary Soft 4 tubes (With Louver)

LAMPING

254: 2 X 54W Fluorescent T5-HO *ONLY F5001 AND F5010*

454: 4 X 54W Fluorescent T5-HO *ONLY F5003 AND F5012*

BALLAST

EB: Electronic HPF <10% THD

EB

VOLTAGE

UNV: Universal Voltage 120V to 277V

347: 347 Volts

FINISH

027: Metallic Grey (Standard)

014: White

SPECIFICATION SUBMITTAL

Job Name: _____ Job Number: _____

SPECIFIER (ENGINEER/ARCHITECT)

Name: _____