



LUXIT

ARCA

Design Isao Hosoe with P. Solomon

ARCA
PARTITION



ARCA
WALL



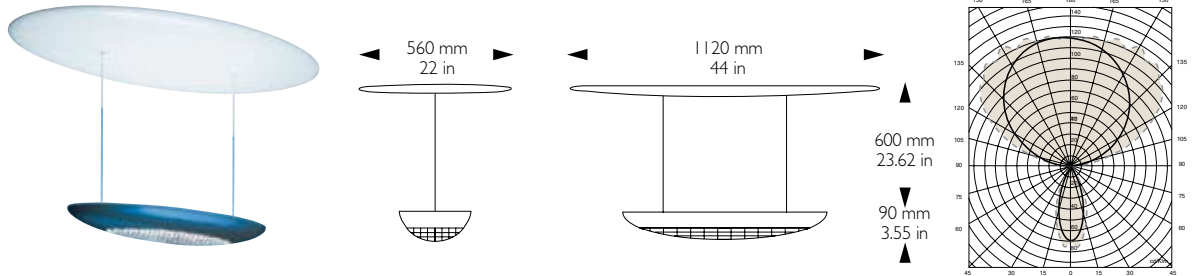
ARCA
MODULE



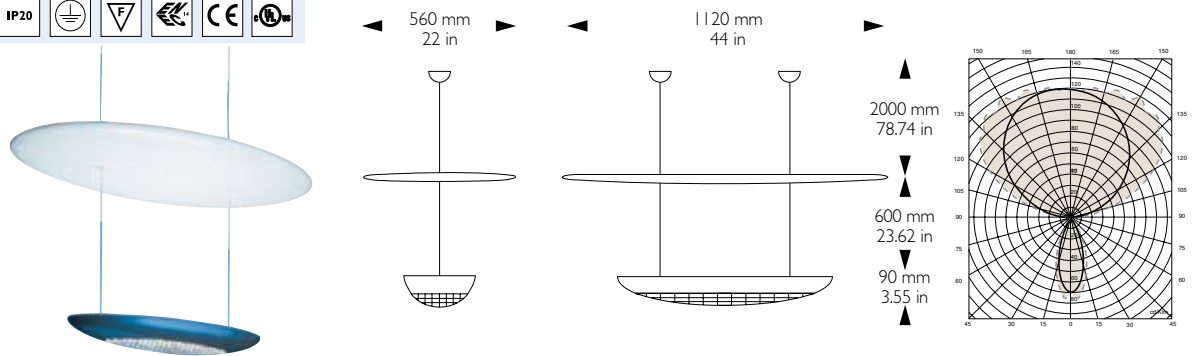
ARCA Dome/Pendant

Series of luminaires with indirect lighting and partial direct controlled "Dark" lighting. The elliptical head containing the light sources (two 55W or 36W 2G11 fluorescent compact lamps) is composed of two parts: a structural part in ABS containing a grid for the direct controlled emission of light, painted in metallic grey, and a polypropylene cover in transparent or metallic colors. The ballast is housed in the special ABS container except for the "Dome" models in which the ballast is placed on top of the large upper reflector. The head is linked to the ballast container by a pivoting steel tube with the possibility of adjusting the position according to pre-arranged angles.

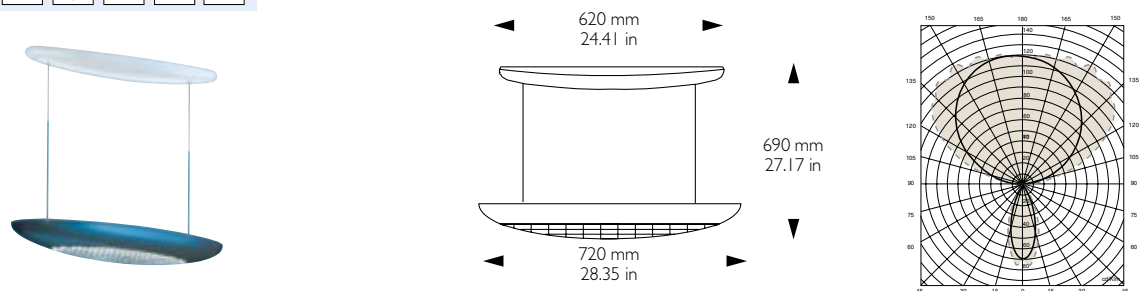
A424-A ARCA DOME CEILING: Suspension version of Arca with the upper large elliptical reflector mounted directly to the ceiling. A creative solution where there are non-reflective ceilings. Complete with Suspension Set and Feeding Set.



A425-A ARCA DOME SUSPENSION: Suspension version of Arca with the upper large elliptical reflector hanging over the lighting element to better reflect the light downwards. For rooms with high or non-reflective ceiling. Complete with Suspension Set and Feeding Set.

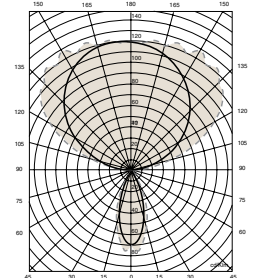
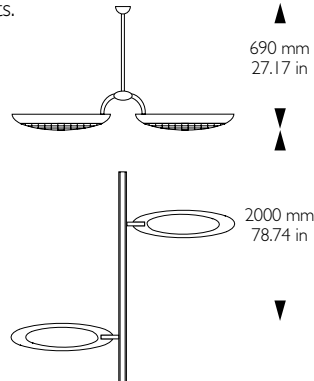
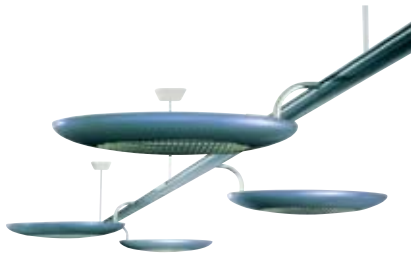


A426-A ARCA PENDANT: Suspension version of Arca directly mounted to the ceiling on its ballast container. Complete with Suspension Set and Feeding Set.



ARCA Twin

A429-B-236 / A429-B-255 ARCA TWIN MODULE: Modular version of Arca arranged for mounting in continuous sections. Each section has two Arca Heads, asymmetrically placed, pre-wired for 2 light sources. The bearing beam is in extruded aluminum, length 2000 mm (78.74 in), and it houses the ballasts.



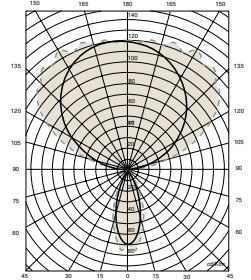
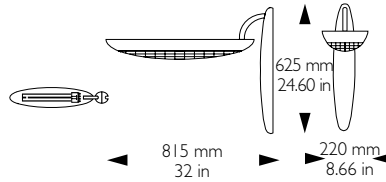
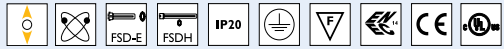
COLORS: Ballast container in ABS: always grey, except for the Pendant version where it is white. Body with reflecting grid: Metallic Grey Polypropylene Cover: either in transparent colours (Opaline, Blue, Citron) or in metallic finish (Mauve, Indigo, Grey). ABS Elliptical Reflector for Arca Dome: white.



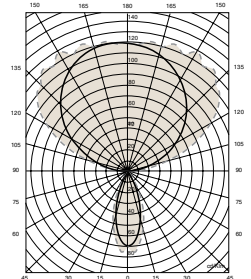
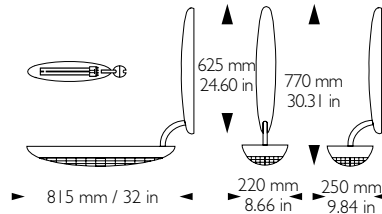
- All photometric curves generated using 2 X 55W versions.

ARCA Wall/Floor

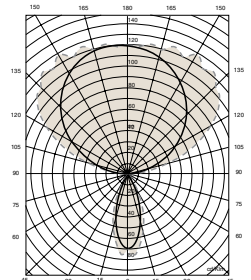
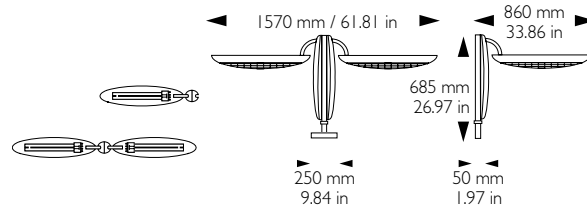
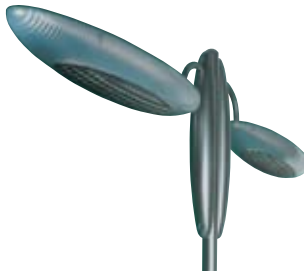
A420-A ARCA WALL HIGH: Wall version of Arca. The lighting element can be mounted either on the upper or lower section of the ballast container:



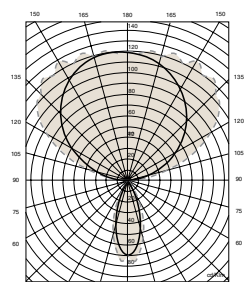
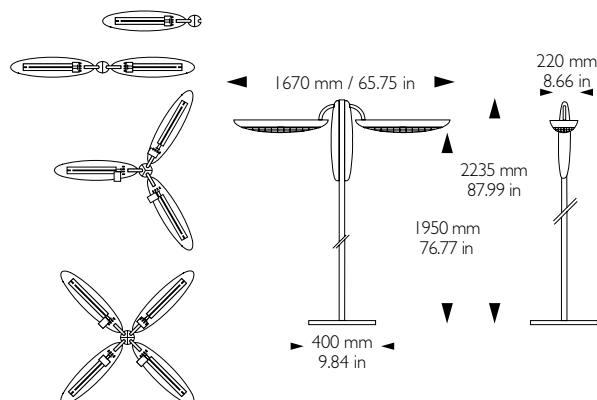
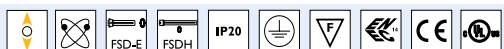
A429-A ARCA WALL LOW: Wall version of Arca. The lighting element can be mounted either on the upper or lower section of the ballast container:



A427 ARCA PARTITION WALL: Versions of Arca to be mounted on top of Partition Walls. Equipped with a supporting stem and, standard, with a rectangular fixing plate in steel.

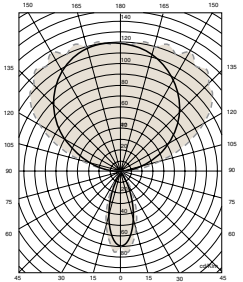
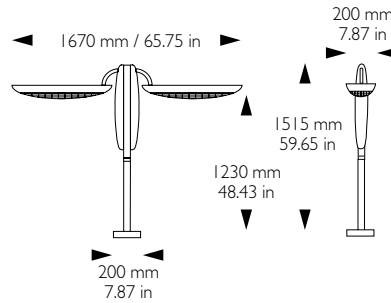
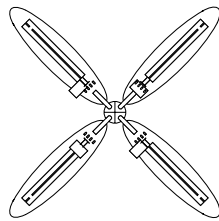
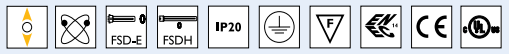


A421 ARCA FLOOR: Floor versions of Arca with steel tubular stem and a round steel base.

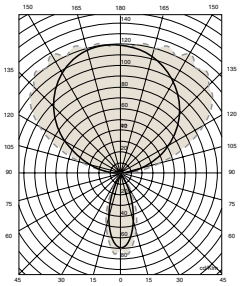
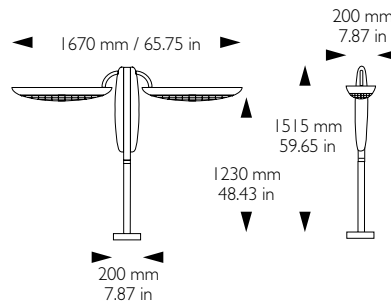
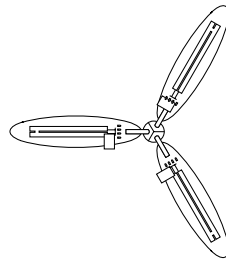


ARCA Partition Desk

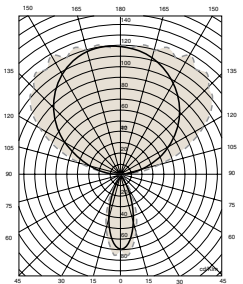
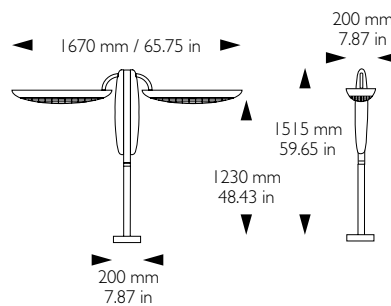
A423 ARCA PARTITION DESK "Four": Groups of Arca for mounting on multiple workstations. Supplied with supporting stem and a round steel fixing plate. Or, on demand, with special connectors for mounting on specific desk partitions. A custom clamp can fit all partition applications.



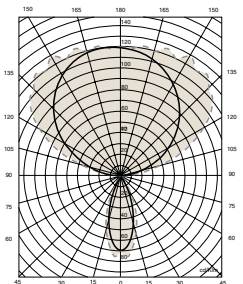
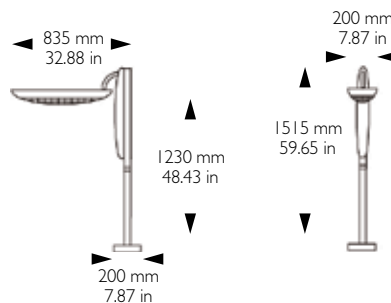
A423-C ARCA PARTITION DESK "Three"



A423-B ARCA PARTITION DESK "Two"



A423-A ARCA PARTITION DESK "One"



• All photometric curves generated using 2 X 55W versions.

SERIES _____ ARCA

CONFIGURATION 1

- _____ A420: Wall High
- _____ A429: Wall Low
- _____ A421: Floor
- _____ A427: Partition Wall
- _____ A423: Partition Desk
- _____ A426: Pendant
- _____ A425: Suspension With Dome
- _____ A424: Ceiling With Dome
- _____ A42C: Twin Module

CONFIGURATION 2

- _____ A: One Head *N/A FOR A42C*
- _____ B: Two Head *ONLY A421, A427, A423 AND A42C*
- _____ C: Three Head *ONLY A421, A427 AND A423*
- _____ D: Four Head *ONLY A421, A427 AND A423*

LAMPING

- _____ 236: 2 X 36W PLL (By Head)
- _____ 255: 2 X 55W PLL (By Head)

BALLAST

- _____ EB: Electronic HPF <10% THD

VOLTAGE

- _____ UNV: Universal Voltage 120V to 277V
- _____ 347: 347 Volts

FINISH

- _____ 011: Translucent Opal
- _____ 045: Translucent Lime
- _____ 076: Translucent Blue
- _____ 069: Metallic Indigo
- _____ 029: Metallic Grey
- _____ 065: Metallic Purple

FACTORY OPTIONS I (Multiple Selection)

- _____ F42Z002011: Direct Light Filter
- _____ F42Z001100: Polycarbonate Protective Shield For Dome and Pendant Model
- _____ F42Z001000: Polycarbonate Protective Shield For All Other Model

FACTORY OPTIONS FOR TWIN MODULE (Multiple Selection)

- _____ F42E07: Rectilinear Joining Set
- _____ F42E05: 2 End Caps For Each Line Of Installation
- _____ F42E03: Suspension Set For Each Twin Module
- _____ F42E01: Suspension Set With Feeding Set

SPECIFICATION SUBMITTAL

Job Name: _____ Job Number: _____

SPECIFIER (ENGINEER/ARCHITECT)

Name: _____