



# TRIMLIGHT

Design King & Miranda

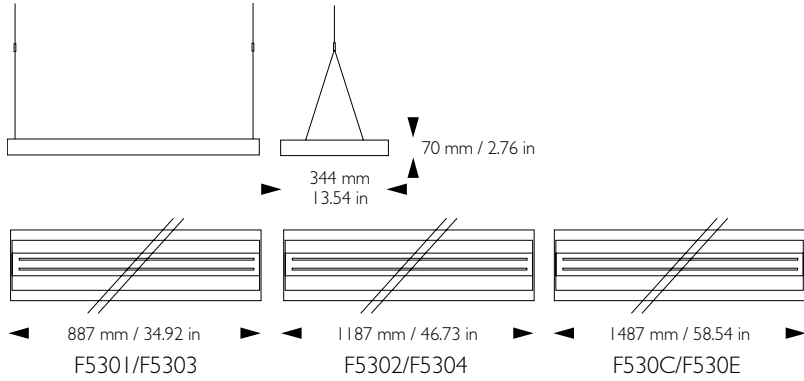
TRIMLIGHT  
FLOOR



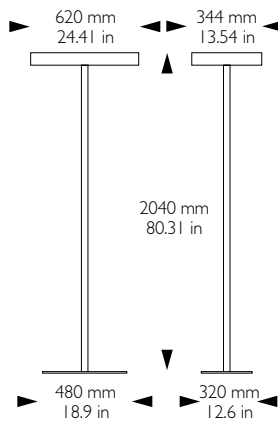
# TRIMLIGHT

Luminaires with indirect and partially direct light. Structure in extruded aluminum. Reflector in high-purity mirror-polished anodized aluminum. Complete with quick adjustment steel wired mounting set (max. length 2000 mm/78.74 in) and feeding set. Wired for two or four T5 fluorescent tubes. For the versions with four light sources the tubes are switched in pairs. Color: fine debossed white.

## F53 TRIMLINE SUSPENSION



## F536I TRIMLIGHT FLOOR



SERIES

TRIMLIGHT

## CONFIGURATION I

F53: Suspension and Floor

F53

## LAMPING

01: 2 X 39W Fluorescent T5-HO L= 887 mm / 34.92 in.

03: 4 X 39W Fluorescent T5-HO L= 887 mm / 34.92 in.

05: 2 X 54W Fluorescent T5-HO L= 1187 mm / 46.73 in.

07: 4 X 54W Fluorescent T5-HO L= 1187 mm / 46.73 in.

0C: 2 X 80W Fluorescent T5-HO L= 1487 mm / 58.54 in.

0E: 4 X 80W Fluorescent T5-HO L= 1487 mm / 58.54 in.

61: 2 X 80W PLL-L= 620 mm / 24.41 in.

## CIRCUIT

SG: Single

DL: Dual \*ONLY 4 X 39, 54, 80W\*

## BALLAST

EB: Electronic HPF <10% THD

EB

## VOLTAGE

UNV: Universal Voltage 120V to 277V \*F5361 only available in 120V\*

347: 347 Volts

## FINISH

014: MATTE WHITE

027: GREY

SPECIFICATION SUBMITTAL

Job Name: \_\_\_\_\_ Job Number: \_\_\_\_\_

SPECIFIER (ENGINEER/ARCHITECT)

Name: \_\_\_\_\_