

The right light

LUXO



X-TYPE

Design Ark. Msa Björn Siesjö, Kanozi Arkitekter

L-73

X-TYPE WALL



X-TYPE SUSPENSION



X-TYPE SUSPENSION

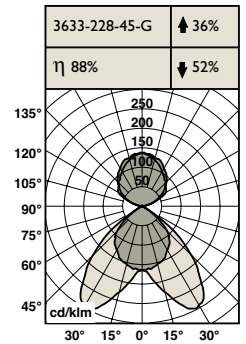
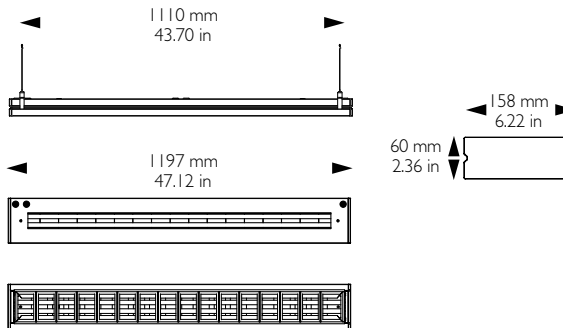


X-TYPE 3633 is a 2 or 3 lamp T5 luminaire.

TECHNICAL INFORMATION: The luminaire housings are made from white or grey finished steel with ends in moulded zinc. Louver in highly reflective vacuum-metallized aluminum. The luminaires are only available for suspended installation. X-type comes with 2.5 m (98.43 in) connection cord, earthed plug and 1 m (39.37 in) wire including ceiling rosette. Also available for continuous installation. Supplied with HF ballast as standard. Also available as HF dimmable.

X-TYPE 3633 is a luminaire for T5 fluorescent lamps which is easy to mount and provides a high light output. The luminaires combine direct and indirect light. Designed to suit various environments such as offices, conference rooms and schools.

3633-228-45 X-TYPE

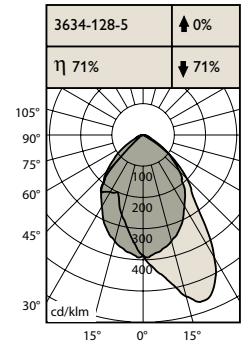
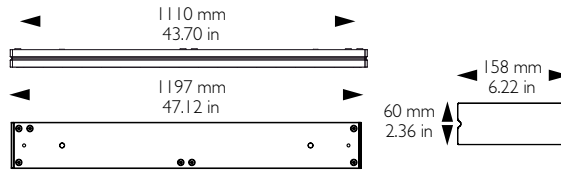
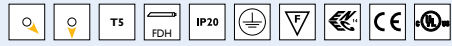


X-TYPE 3634 is a 2 or 3 lamp T5 luminaire.

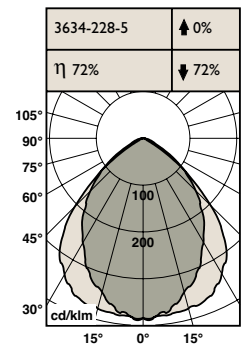
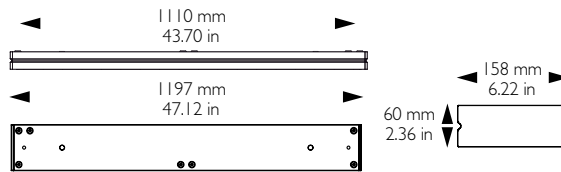
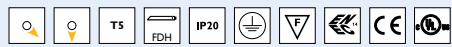
TECHNICAL INFORMATION: X-TYPE 3634 is a T5 ceiling luminaire with direct light which is easy to mount and provides a high light output. The luminaires are designed to suit various environments such as offices, corridors and schools.

The luminaires are made from white or grey finished steel with ends in moulded zinc. Louver in highly reflective vacuum-metallized aluminum. Single and double lamp versions. The single lamp version also comes with asymmetric light distribution. The luminaire is available in ceiling, suspended and wall mounted versions. Also available for continuous installation. X-type is supplied with HF ballast as standard. Also available as HF dimmable.

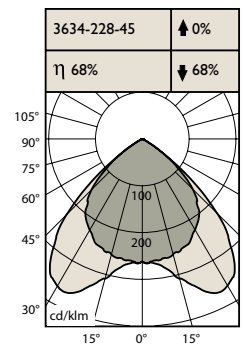
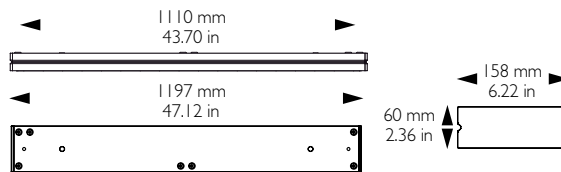
3634-228-45 X-TYPE



3634-228-5 X-TYPE



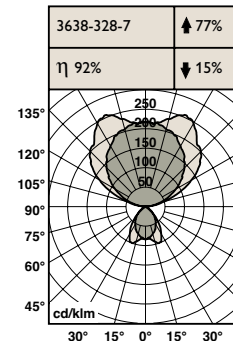
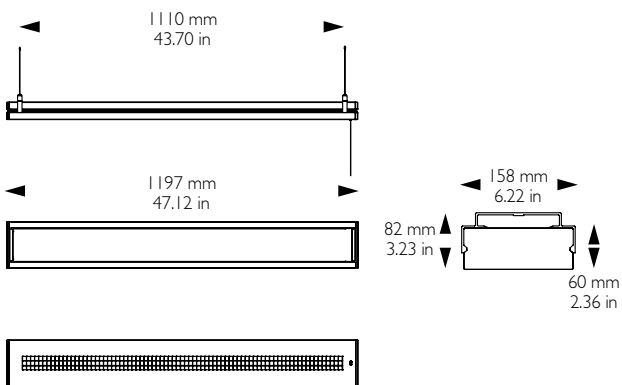
3634-254-45 X-TYPE



X-TYPE 3638 /3639 is a 2 or 3 lamp T5 luminaire.

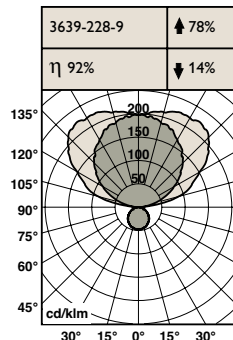
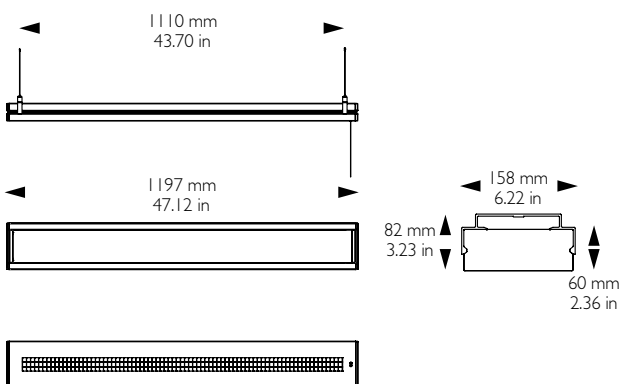
TECHNICAL INFORMATION 3638: The luminaire housings are made from white or grey finished steel with end caps in moulded zinc. Supplied with cross-bladed louver in coated steel plate. The luminaires are available for individual or continuous installation. X-type comes with 2.5 m (98.43 in) connection cord and earthed plug along with 1 m (39.37 in) wire and ceiling rosette. X-type is supplied with HF ballast and double pull switches as standard.

3638-328-7 X-TYPE

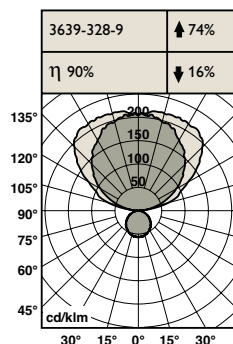
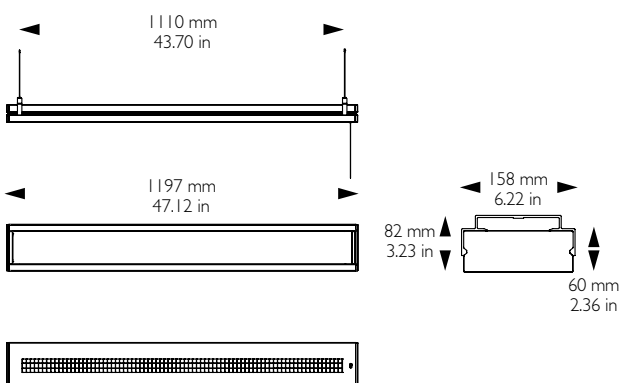


TECHNICAL INFORMATION 3639: The luminaire housings are made from white or grey finished steel with ends in moulded zinc. Supplied with anti-glare louver in Melinex. The luminaires are available for individual or continuous installation. X-type comes with 2.5 m (98.43 in) connection cord and 1 m wire including ceiling rosette. X-type is supplied with HF ballast as standard.

3639-228-9 X-TYPE



3639-328-9 X-TYPE

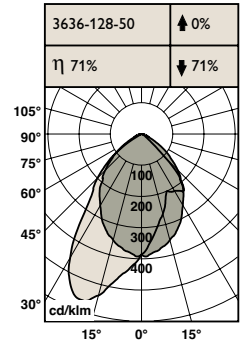
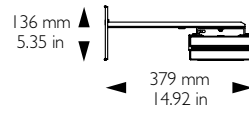


X-TYPE 3636 is a T5 luminaire.

TECHNICAL INFORMATION 3636: The luminaire housings are made from steel finished in white or grey with ends in moulded zinc. Reflector and louver in highly reflective vacuum-metallized aluminum. For asymmetric light distribution. Supplied with board bracket. Also available for continuous installation. Supplied as standard with HF ballast. Also available as HF dimmable.

X-TYPE 3636 is a T5 luminaire designed for white boards or similar applications. It is easy to mount and provides asymmetrical light output. The luminaires are designed for continuous mounting.

3636-128-50 X-TYPE



SERIES

X-TYPE

CONFIGURATION I

3633: Suspension Direct/Indirect Distribution

3634: Suspension Direct Distribution

3636: Wall Asymmetric Distribution

3638: Suspension Low Direct/Indirect Distribution with Pull Switch

3639: Suspension Low Direct/High Indirect Distribution with Pull Switch

LAMPING

128: 1 X 28W Fluorescent T5-HE *ONLY 3636*

228: 2 X 28W Fluorescent T5-HE

328: 3 X 28W Fluorescent T5-HE *ONLY 3638, 3639*

254: 2 X 54W Fluorescent T5-HO

354: 3 X 54W Fluorescent T5-HO *ONLY 3638, 3639*

228-154: 2 X 28W, 1 X 54W Fluorescent T5-HE/HO *ONLY 3638*

254-128: 2 X 54W, 1 X 28W Fluorescent T5-HO/HE *ONLY 3638*

LOUVER

5: Reflector Louver, Light Grey Finish Cross Blades *ONLY 3633, 3634*

7: Cross Blades Louver *ONLY 3638*

9: Anti-Glare Louver in MELINEX® *ONLY 3639*

45: Optical Louver, Double Parabolic Matt Anodised Aluminum *ONLY 3633, 3634*

CIRCUIT

SG: Single

DL: Dual *Only 3 tube versions*

BALLAST

EB: Electronic HPF <10% THD

EB

VOLTAGE

UNV: Universal Voltage 120V to 277V

347: 347 Volts

FINISH

GREY (Standard)

WHITE

BLACK

SILVER

BLUE-GREEN

YELLOW

CREAM

FACTORY OPTION

PS: Pull Switch

SPECIFICATION SUBMITTAL

Job Name: _____ Job Number: _____

SPECIFIER (ENGINEER/ARCHITECT)

Name: _____