

The right light

LUXO



PHAROS

Design Luxo

PHAROS
wire guard
application

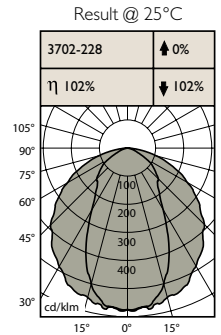
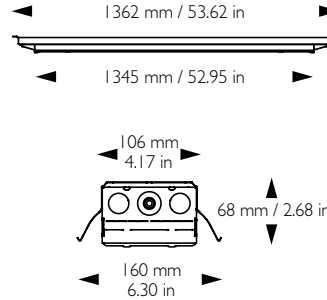


*UL wet location approved

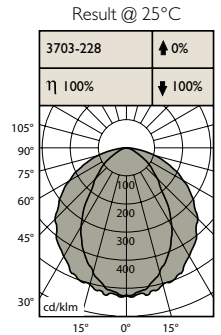
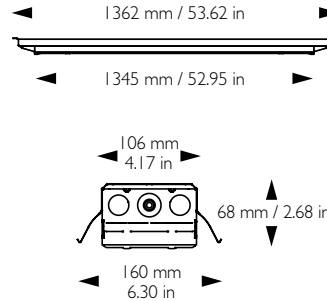
PHAROS

TECHNICAL INFORMATION: Body and end faces in corrosion-resistant aluzinc sheeting and reflector in matte MIRO™ material guarantee good performance and long service life. Installation box with sealing gasket (diameter 19 mm / .75 in) in each end face allows for extremely simple installation. Internal 3-phase bridge with terminal block 5 x 2.5 mm (.10 in) in each end face. PHAROST5 has HF operation as standard. PHAROS T5 is available with three different light distributions depending on ceiling height. It is used in environments that place great demands on luminous efficiency. Industrial premises, warehouses and sports centers are just a few examples. Fitted with a protective grille, it is well-protected from strikes and blows.

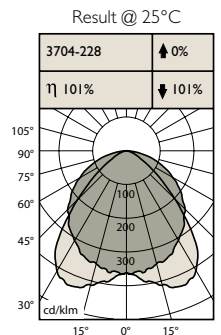
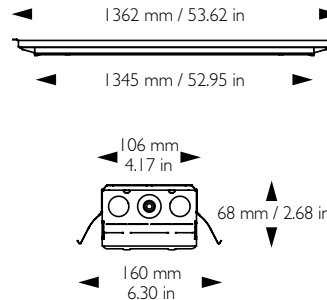
3702 PHAROST5 Narrow Beam



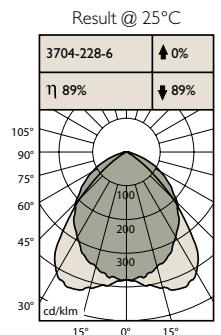
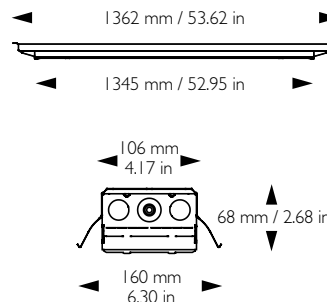
3703 PHAROST5 Medium Beam



3704 PHAROST5 Wide Beam



3704 PHAROS Wide Beam with Louver



SERIES _____ PHAROS

CONFIGURATION 1

3705: Narrow Beam _____

3706: Medium Beam _____

3707: Wide Beam _____

LAMPING

228: 2 X 28W Fluorescent T5-HE _____

254: 2 X 54W Fluorescent T5-HO _____

LOUVER

STD: Without Louver _____

6: MIRO Louver *ONLY 3706 AND 3707* _____

BALLAST

EB: Electronic HPF <10% THD _____

EB

VOLTAGE

UNV: Universal Voltage 120V to 277V _____

347: 347 Volts _____

FINISH

STD: Corrosion Resistant Aluzinc _____

STD

FACTORY OPTIONS 1

SG 1345: Protective Grille _____

FACTORY OPTIONS 2

LI: Suspension Clip _____

VK 45: Wall Bracket 45° _____

VK 90: Wall Bracket 90° _____

SK: Wall Ceiling Bracket Adjustable _____

FACTORY OPTIONS 3

RF: Tube Fastener _____

*UL wet location approved

SPECIFICATION SUBMITTAL

Job Name: _____ Job Number: _____

SPECIFIER (ENGINEER/ARCHITECT)

Name: _____