

# Movero

Movero uses the latest technology in asymmetrical task lighting. The innovative design, the effective light output and the advanced arm design make the luminaire extremely effective for any working environment.



# MOVERO

Design: Propellers

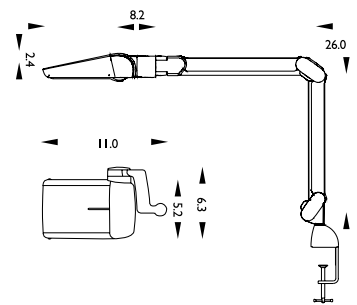
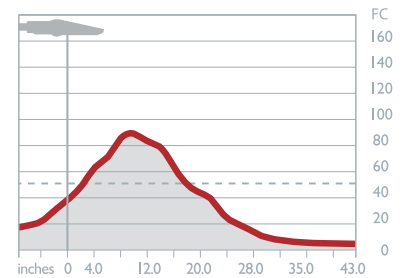
Movero uses the latest technology in asymmetrical task lighting. The innovative design, the effective light output and the advanced arm design make the luminaire extremely effective for any working environment. Because of its design, Movero can be used for large workspaces as well as places with little room. The design of the arm gives Movero a very good operational range. Movero is designed especially for desks that can be regulated to standing height – the louver can be adjusted to prevent the discomfort of glare from the asymmetrical light.

Supplied with HF ballast to eliminate flicker.

Light source: 18W compact fluorescent tube

Arm length: 660 mm (26 in.)

Supplied with edge clamp.  
Accessories: table base.



### Colors

- Magnesium grey
- Anthracite black

