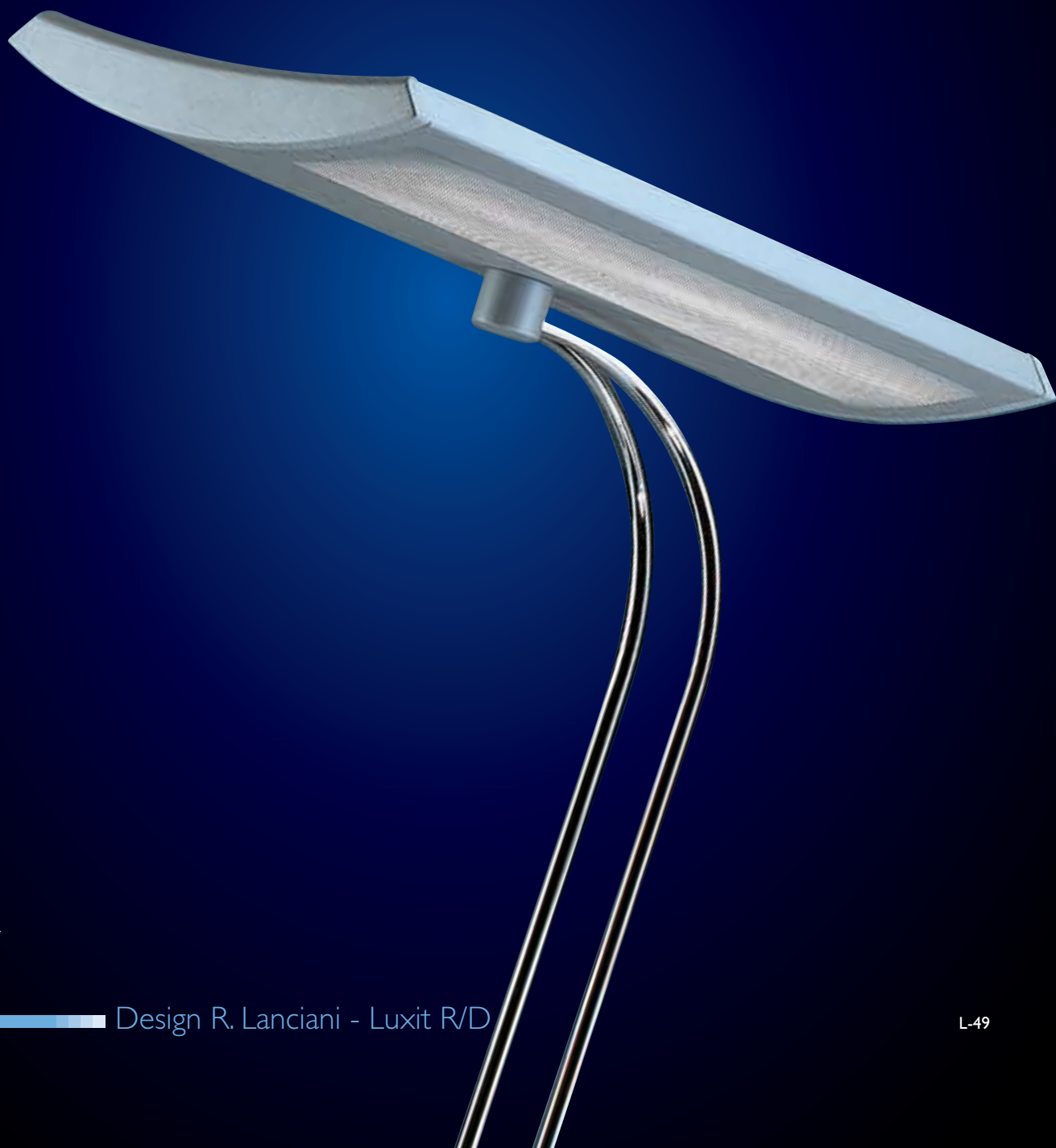


The right light

**LUXO**



SILVY

Design R. Lanciani - Luxit R/D

L-49

# SILVY PARTITION



SILVY  
SUSPENSION

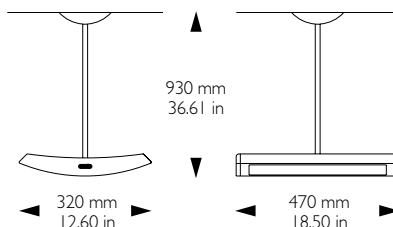
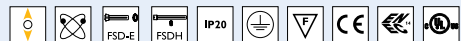


# SILVY

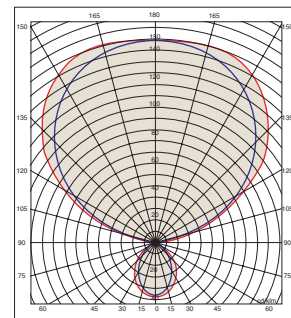
**TECHNICAL INFORMATION:** The lighting head of the luminaire is formed by an external, partly micro-perforated steel sheet. Bearing structure in steel plate. External sides in polycarbonate. Micro-perforated sheet steel reflector/body. Internal frosted polycarbonate filter for controlling the direct emission of light. The reflector body has end caps in polycarbonate. SILVY comes in grey finish. Supplied as standard with HF ballast. The SILVY family consists of wall, pendant and floor luminaires with a characteristic shape. Their sizes are such that they can be used in most settings. Series of luminaires with indirect light and with direct light filtered through a micro-perforated steel plate.

## A48D-436 / A48D-455 SILVY Stem Suspension

Suspension lamps with indirect and partly direct light suspended by a steel rod. Wired for four fluorescent compact lamps.

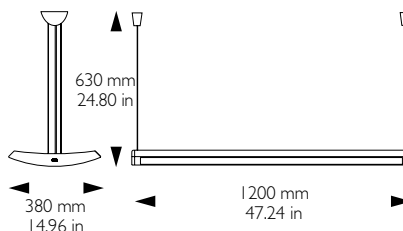
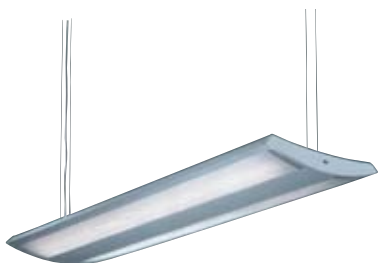


4 X 55W

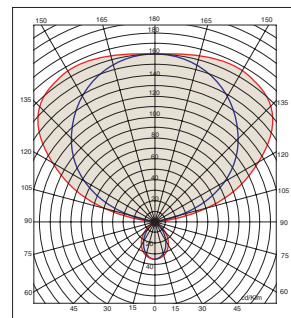


## A48E-454 SILVY Wire Suspension Long : Long version of SILVY Suspension suspended by steel wires.

Wired for four linear fluorescent lamps T-5.

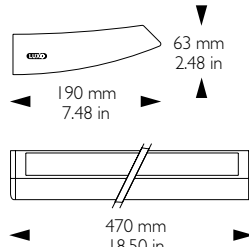
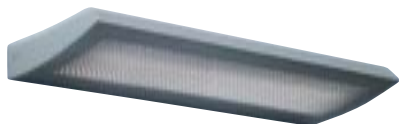


4 X 54W

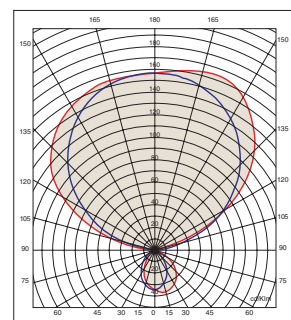


## A48F-236 SILVY Wall: Wall lamps with indirect and partly direct light emission.

Wired for two compact fluorescent lamps.

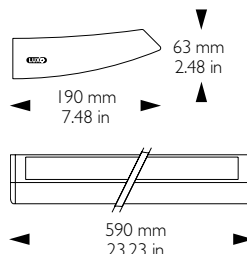
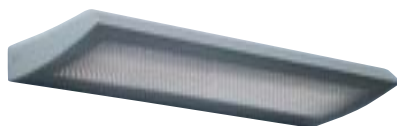


2 X 55W

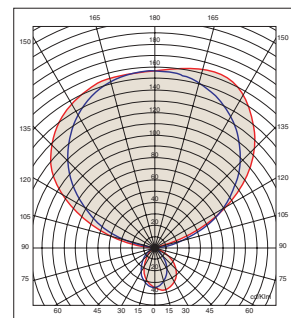


## A48F-255 SILVY Wall: Wall lamps with indirect and partly direct light emission.

Wired for two compact fluorescent lamps.



2 X 55W

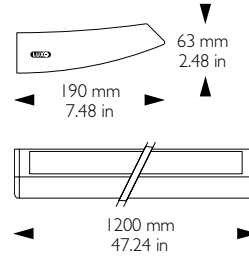


# SILVY

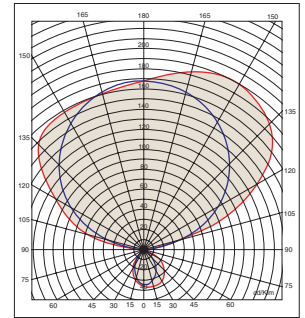
The SILVY family consists of wall, pendant and floor luminaires with a characteristic shape. Their sizes are such that they can be used in most settings. TECHNICAL INFORMATION: The lighting head of the luminaire is formed by an external, partly micro-perforated steel sheet. Bearing structure in steel plate. External sides in polycarbonate. Micro-perforated sheet steel reflector/body. Internal frosted polycarbonate filter for controlling the direct emission of light. The reflector body has end caps in polycarbonate. SILVY comes in grey finish. Supplied as standard with HF ballast.

## A48G-239 / A48G-254 SILVY Wall Long

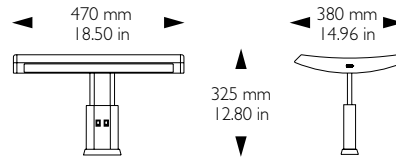
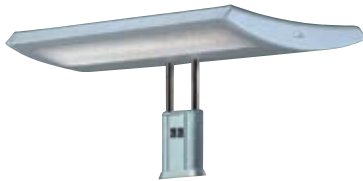
SILVY Wall Long: Long version of SILVY Wall, wired for two linear fluorescent lamps T-5.



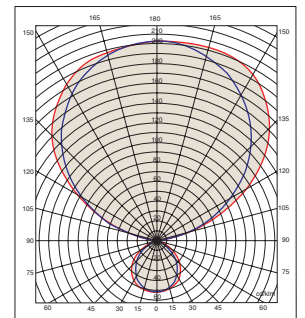
2 × 54W



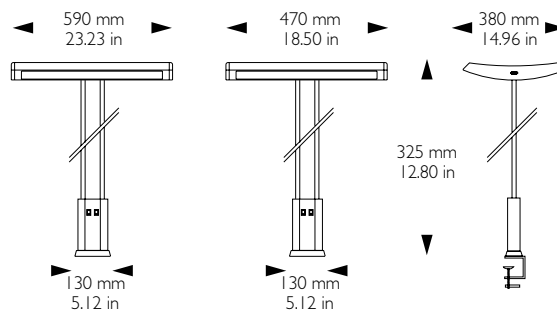
## A48C-436 / A48C-455 SILVY Partition: Luminaire for Partition Walls in "open space" offices with indirect and direct light.



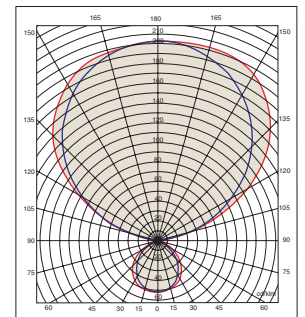
4 × 55W



## A48H-436 / A48H-455 SILVY Table Mounted: Luminaire to be mounted on the desk top.



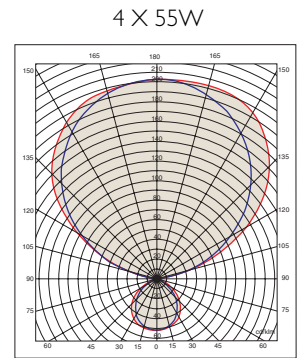
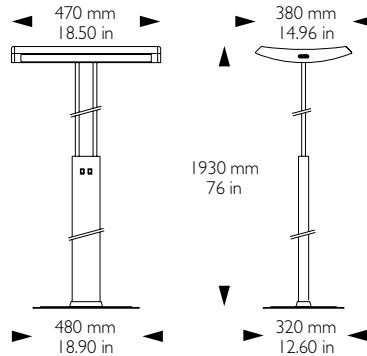
4 × 55W



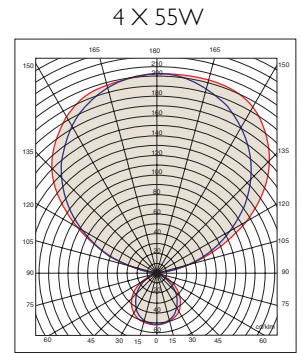
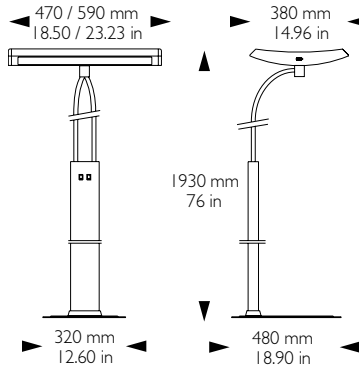
# SILVY

The SILVY family consists of wall, pendant and floor luminaires with a characteristic shape. Their sizes are such that they can be used in most settings. TECHNICAL INFORMATION: The lighting head of the luminaire is formed by an external, partly micro-perforated steel sheet. Bearing structure in steel plate. External sides in polycarbonate. Micro-perforated sheet steel reflector/body. Internal frosted polycarbonate filter for controlling the direct emission of light. The reflector body has end caps in polycarbonate. SILVY comes in grey finish. Supplied as standard with HF ballast.

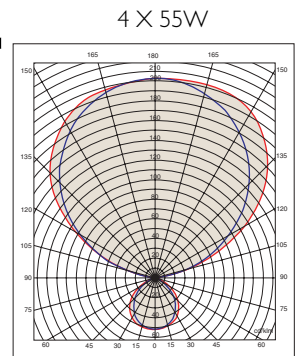
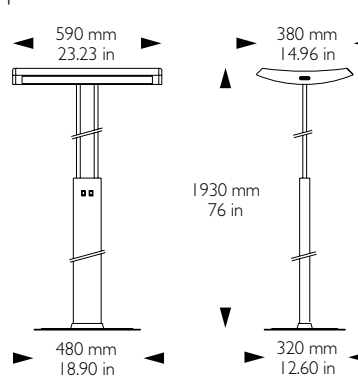
A48A-436 SILVY Floor: Floor lamps with indirect and partly direct light, with stem in extruded aluminum and chromed steel tubes. Wired for four fluorescent compact lamps.



A48B-436 / A48B-455 SILVY Floor Adjustable: Version of SILVY Floor with movable head on the horizontal level (90°).



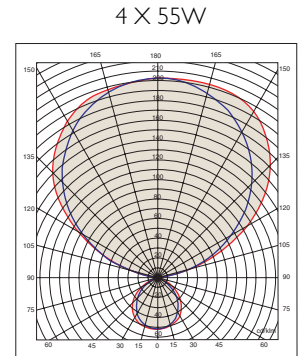
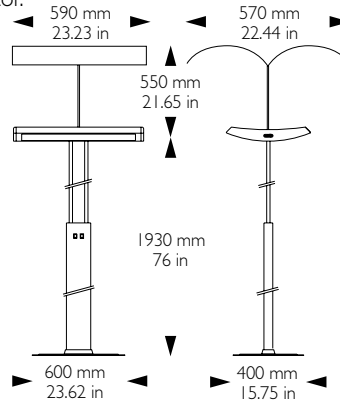
A48A-455 SILVY Floor: Floor lamps with indirect and partly direct light, with stem in extruded aluminum and chromed steel tubes. Wired for four fluorescent compact lamps.



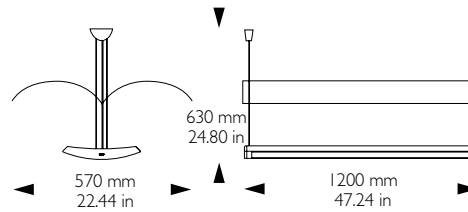
# SILVY

The SILVY family consists of wall, pendant and floor luminaires with a characteristic shape. Their sizes are such that they can be used in most settings. TECHNICAL INFORMATION: The lighting head of the luminaire is formed by an external, partly micro-perforated steel sheet. Bearing structure in steel plate. External sides in polycarbonate. Micro-perforated sheet steel reflector/body. Internal frosted polycarbonate filter for controlling the direct emission of light. The reflector body has end caps in polycarbonate. SILVY comes in grey finish. Supplied as standard with HF ballast.

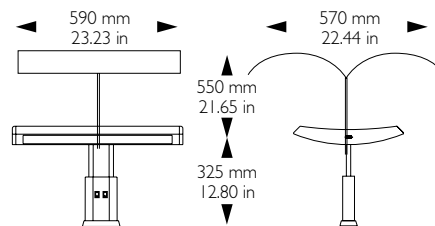
PG SILVY Floor Pagoda: Version with upper reflector:



PG SILVY Suspension Long Pagoda: Version of SILVY Suspension Long with upper reflector:



PG SILVY Partition Pagoda: Version with upper reflector:



SERIES	SILVY
CONFIGURATION I	
A48A: Floor	
A48B: Floor Adjustable	
A48C: Partition	
A48D: Stem Suspension	
A48E: Wire Suspension Long	
A48F: Wall	
A48G: Wall Long	
A48H: Table Mount	
LAMPING	
236: 2 X 36W PLL *ONLY A48F*	
436: 4 X 36W PLL *N/A A48F, A48G, A48I AND A48E*	
255: 2 X 55W PLL *ONLY A48F*	
455: 4 X 55W PLL *N/A A48F, A48G, A48I AND A48E*	
239: 2 X 39W Fluorescent T5-HO *ONLY A48G*	
254: 2 X 54W Fluorescent T5-HO *ONLY A48G*	
454: 4 X 54W Fluorescent T5-HO *ONLY A48E*	
BALLAST	
EB: Electronic HPF <10% THD	EB
VOLTAGE	
UNV: Universal Voltage 120V to 277V	
347: 347 Volts	
FINISH	
027: GREY	027
FACTORY OPTIONS 1	
PG: Pagoda *ONLY 4 X 55W AND 4 X 54W VERSION*	
FACTORY OPTIONS 2	
PS: Polycarbonate Protective Sheild For Wall 36W	
FACTORY OPTIONS 3	
PF: Polycarbonate Filter	

**SPECIFICATION SUBMITTAL**

Job Name: \_\_\_\_\_ Job Number: \_\_\_\_\_

**SPECIFIER (ENGINEER/ARCHITECT)**

Name: \_\_\_\_\_