

PIVOT 2050

PROJECT PROJÉT
SPEC TYPE
NOTES



OVERALL HEIGHT HAUTEUR HORS TOUT

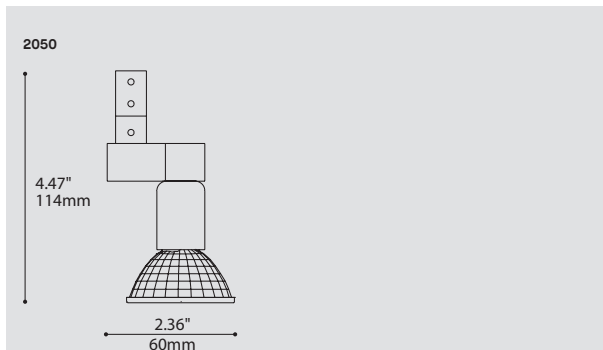
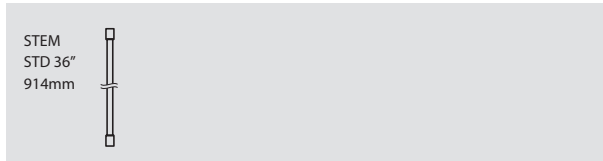
LIGHT SOURCE	HAL TRACK 1 CIRCUIT	INC TRACK 1 CIRCUIT	INC TRACK 2 CIRCUIT	INC-HAL
MOUNTING	2734	2734B	2764B	2401E
STEM	42.10"	41.45"	42.05"	41.10"

MOUNTING OPTIONS OPTIONS DE MONTAGE

2734	2734B	2764B	2401E
3.85" x 2.03" 98 x 52mm	1.46" x 1.36" 37 x 35mm	3.29" x 1.96" 84 x 48mm	Ø4.50" x 1.00" Ø114 x 25mm

* OVERALL HEIGHT DOES NOT INCLUDE TRACK THICKNESS

STEM OR CABLE OPTIONS OPTIONS DE TIGE OU CABLE



ORDERING SPECIFICATION SPÉCIFICATION DE COMMANDE

MODEL MODÈLE	CODE
2050 PIVOT	
LIGHT SOURCE SOURCE LUMINEUSE	CODE
(WATTAGE, LAMP TYPE, LAMP FORM, BASE TYPE, OTHER INFO)	
MR16C.50 50W, HAL, MR16C, GU5.3 BASE	
GZ10.50 50W, HAL, MR16, GZ10 BASE (120V ONLY)	
VOLTAGE VOLTAGE	CODE
120V 120 VOLT	
277V* 277 VOLT	
*NOT AVAILABLE WITH A TRACK ADAPTOR	
STEM TIGE	CODE
S6 1/4" (6MM) STEM, FIELD ADJUSTABLE	
- NO STEM	
STEM LENGTH LONGUEUR DE TIGE	CODE
36 36" STEM (STD LENGTH)	
** CUSTOM STEM LENGTH (PLEASE SPECIFY)	
FOR OVERALL LENGTH PLEASE CONTACT YOUR EUREKA REPRESENTATIVE	
MOUNTING MONTAGE	CODE
RC ROUND CANOPY / PAVILLON ROND 1" CANOPY (2401E)	
TA1 TRACK ADAPTOR / ADAPTEUR DE RAIL 1 CIRCUIT HAL 120/12V ADAPTOR (2734)	
TA2 TRACK ADAPTOR / ADAPTEUR DE RAIL 2 CIRCUITS GZ10 120V ADAPTOR (2764B)	
MOUNTING OPTION OPTION DE MONTAGE	CODE
SCA SLOPE CEILING ADAPTOR / ADAPTEUR DE PLAFOND EN PENTE (ROTATION: 350°, PIVOT: 90°)	
TRACK ADAPTOR FINISH FINI ADAPTEUR DE RAIL ^(A)	CODE
WH WHITE	
BLK BLACK	
M G METALLIC GRAY (1 CIRCUIT ONLY)	
^(A) FILL IN IF A TRACK ADAPTOR IS SELECTED, OTHERWISE LEAVE EMPTY	
STRUCTURE FINISH FINI STRUCTURE ^(B)	CODE
BLK BLACK	
CHR CHROME	
S C SATIN CHROME	
WH WHITE	
^(B) INCLUDE CANOPY FINISH IF A CANOPY IS SELECTED	

PRODUCT CHARACTERISTICS CARACTÉRISTIQUES DU PRODUIT

2014	2014	2050	2050
350°	90°	330°	180°

DESIGN:	Simple yet robust design in an MR16 projector.
LIGHT SOURCE:	MR16 halogen with electronic transformer. Track adaptor available.
STRUCTURE:	Die-formed steel with machined brass & spring swivel. Available in four plated or painted finishes.
CERTIFIED:	c-CSA-us, c-UL-us
CONCEPTION:	Projecteur MR16 simple et robuste.
SOURCE LUMINEUSE:	Halogène MR16 avec transformateur électronique. Système de rails disponible.
STRUCTURE:	Acier embouti avec laiton usiné et pivot à ressort. Disponible en quatre finis plaqués ou peints.
CERTIFIÉ:	c-CSA-us, c-UL-us