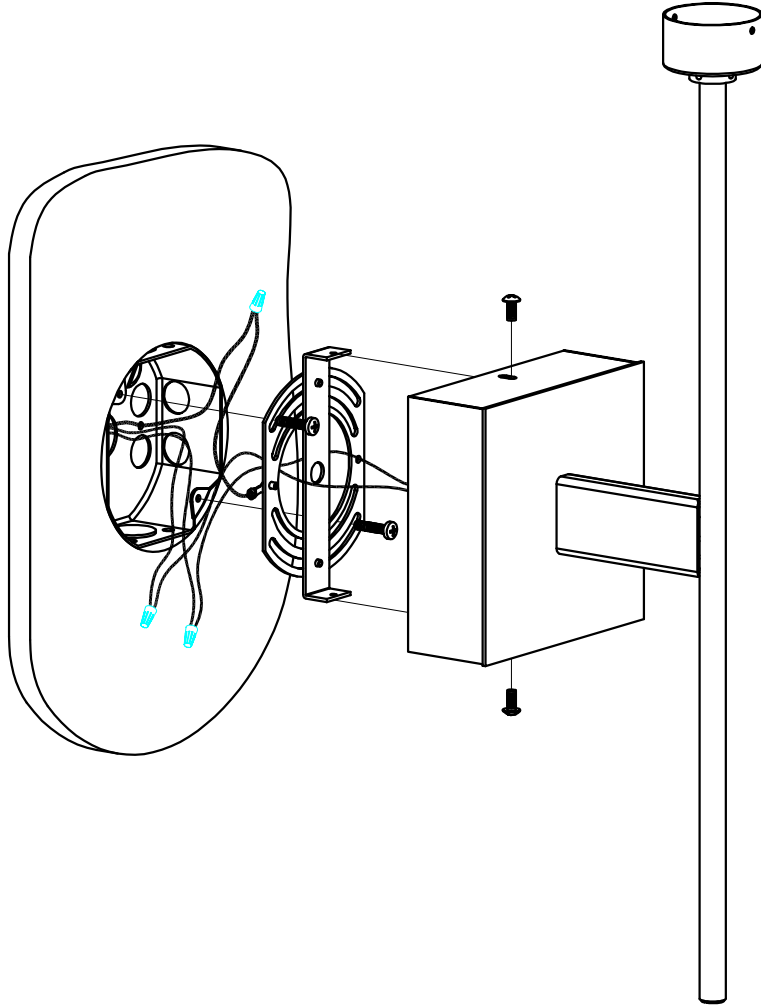
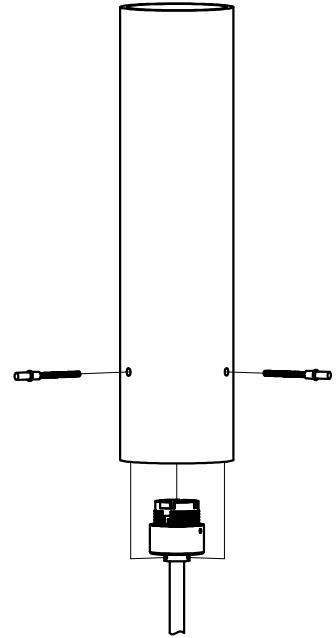


①

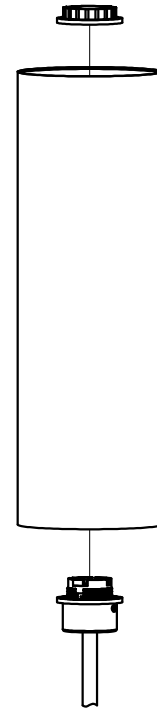


XB & XLQ

②



TF



DATE: 2006/10/18

BIPIN

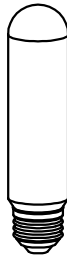
③



G9



INC



FLUO



NOTES: ---

INSTALLATION SHEET
FICHE D'INSTALLATION

PROD.: 3738

TYPE: APPLIQUE MURALE / WALL FIXTURE

PAGE : 1/1