

DESCRIPTION

Fail-Safe FHL Luminaires are designed to provide full-spectrum, crisp, white light with a true IES Type V distribution. Five versions of the FHL Series are available, providing ideal solutions for a wide range of applications. Mounting flexibility includes pendant, wall, ceiling, and stanchion. UL/cUL listed for wet locations, and IP66 rated.

Catalog #		Type
Project		
Comments		Date
Prepared by		

SPECIFICATION FEATURES

Construction

Fixture housing is a two-piece die-cast aluminum, clamshell design. Top and bottom housing sealed with silicone gasket to ensure appropriate fit. Additional extruded aluminum heat sink/fins for cool-running operation in a multitude of ambient environments.

Optics

High-brightness LED arrays mounted on metal core circuit boards, with heat and impact resistant tempered clear glass for protection.

Listing

UL/cUL listed for wet locations. IP66 rated.

Electrical

LED drivers mounted to die-cast aluminum housing for optimal heat dissipation and cool running operation. Projected life is 60,000 hours at 70% lumen maintenance. For 3L-9L, standard 90-305VAC, 50/60Hz, 108-250VDC. 11L standard 100-240, 277VAC, 50/60Hz. 347VAC and 480VAC available.

Mounting

Several mounting methods include: 3/4" rigid pendant, 1" rigid pendant, 1" ceiling mount thru feed, 3/4" and 1" wall mount thru feed, 1-1/2" stanchion 25 degrees, and 1-1/2" stanchion.

Finish

Housing and adapter epoxy powder coat paint. Extrusion is black anodize finish. Fixture color is industrial gray with black heat sinks.



FHL

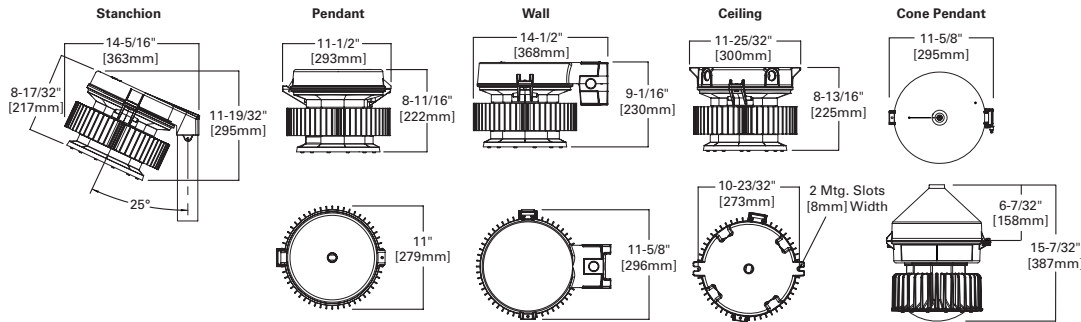
3L - 11L

Fail-Safe LED High Bay

UL Listed - Wet Location
IP66 Rated
NEMA 4X Rated

WEIGHTS

Model	Weight (Lbs.)
Luminaire (3L-11)	22
Mounting Modules	
Pendant	1.25
Ceiling	2.75
Wall	4.50
Angle Stanchion	3.50
Straight Stanchion	4.50



ORDERING INFORMATION

SAMPLE NUMBER: FHL-5L-30-UNV

Product Family	No. of LEDs	Color Temp.	Optics	Mounting Style	Voltage	Luminaire Options	Accessories
FHL							
FHL=Fail-Safe High Bay LED	3L=3200 Lumens 5L=5280 Lumens 7L=7400 Lumens 9L=9500 Lumens 11L=10900 Lumens	30=3000K 50=5000K	[Blank]=Type V (All Mounts) R1=Type I (All Mounts except Ceiling) R1A=Type I (Ceiling, Conduit 45° Counterclockwise or 135° Clockwise from Hinge ⁽¹⁾) R1B=Type I (Ceiling, Conduit 45° Clockwise or 135° Counterclockwise from Hinge ⁽¹⁾) R3=Type III (All Mounts except Ceiling) R3A1=Type III (Ceiling, Conduit 45° Counterclockwise from Top Hat Hinge ⁽²⁾) R3A2=Type III (Ceiling, Conduit 135° Clockwise from Top Hat Hinge ⁽²⁾) R3B1=Type III (Ceiling, Conduit 45° Clockwise from Top Hat Hinge ⁽²⁾) R3B2=Type III (Ceiling, Conduit 135° Counterclockwise from Top Hat Hinge ⁽²⁾)	J=1-1/2" Stanchion 25 Deg. P=1-1/2" Stanchion Straight 2A=3/4" Pendant 3A=1" Pendant 2B=3/4" Cone Pendant 3B=1" Cone Pendant 2C=3/4" Ceiling 3C=1" Ceiling 2TW=3/4" Wall 3TW=1" Wall UNV=120-277V 347=347V 480=480V		QC=Quick Clip for Quick Installation DL=Diffuse Lens TL=Teflon Coating on Lens PCLNS=Polycarbonate Lens PHC/120=Photocell, 120V, field installed PHC/277=Photocell, 208-277V, field installed 051/2/UNV=Occupancy Sensor, 1/2" hub, 120-277V 053/4/UNV=Occupancy Sensor, 3/4" hub, 120-277V 051/UNV=Occupancy Sensor, 1" hub, 120-277V	

NOTES:
(1) New Construction, order R1A.
(2) New Construction, order R3A1.

*Contact presale technical support for hazardous location offering.

Cooper Lighting
by **EATON**

Eaton
1000 Eaton Boulevard
Cleveland, OH 44122
United States
Eaton.com

Eaton's Cooper Lighting Business
1121 Highway 74 South
Peachtree City, GA 30269
P: 770-486-4800
www.eaton.com/lighting

Specifications and dimensions subject to change without notice.

AMBIENT RATINGS/LUMEN OUTPUT TABLE

Catalog Number	Maximum Temp.	Initial Delivered Lumens (5600K)
FHL-3	55°C	3200
FHL-5	55°C	5280
FHL-7	55°C	7400
FHL-9	55°C	9500
FHL-11	40°C	10900

INPUT WATTS

Catalog Number	Input Watts
FHL-3	41
FHL-5	67
FHL-7	94
FHL-9	114
FHL-11	118