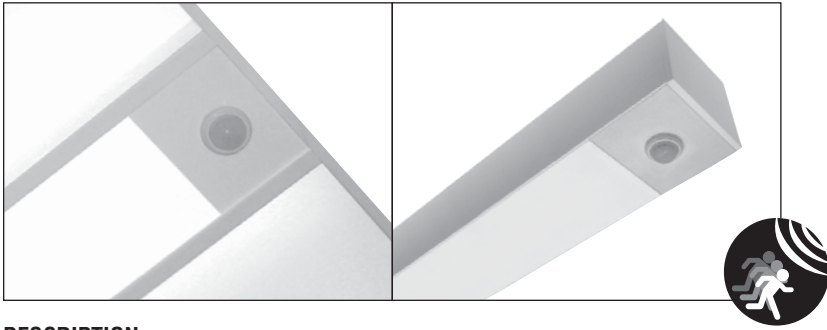


FINELITE

Integrated Sensor - Occupancy



Date

Project

Type

Comments

DESCRIPTION

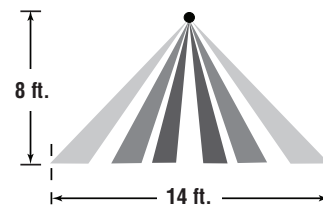
Integrated Occupancy Sensor is integrated in the luminaire in a clean and seamless manner. Easy to specify and commission, this solution simplifies installation, maximizes user satisfaction, and saves energy. The Occupancy Sensor integrates with standard on/off or bi-level switching ballasts to provide for single-level or dual-level occupancy-based control within a designated controlled zone.

Integrated Occupancy Sensor utilizes the latest PIR technology to detect the difference between heat emitted from the human body in motion and the background space. When occupancy is detected, the Occupancy Sensor turns on the luminaire. After the defined area is vacated and the time delay has elapsed (adjustable from 30 seconds to 30 minutes) the Occupancy Sensor turns off the luminaire. Integrated Occupancy Sensor features an added function where a daylighting circuit will hold lights off upon new occupancy info there is sufficient ambient light (adjustable from 10 to 120 fc).



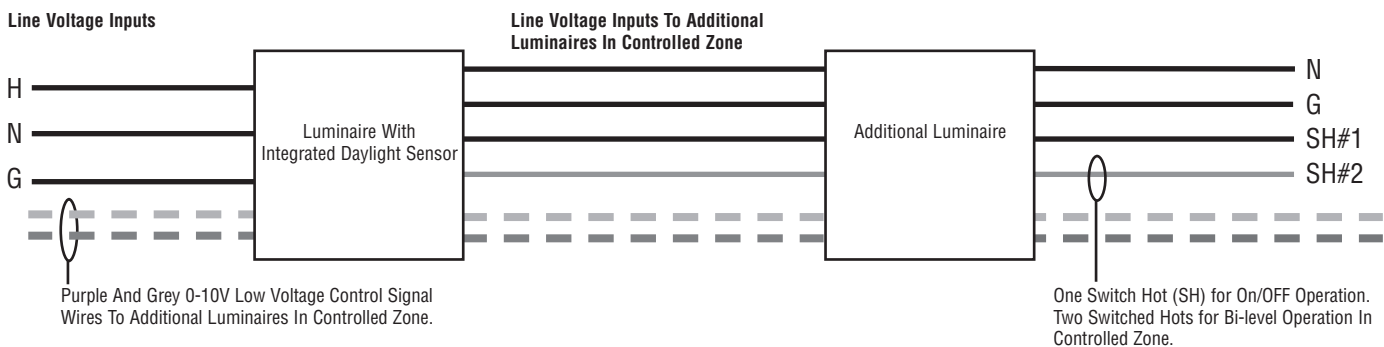
COVERAGE PATTERN - TOP VIEW

Integrated Occupancy Sensor has a multi-cell, multi-tier Fresnel lens with a 360° view. This lens is designed to detect small motion when mounted within 6' of occupants. The coverage area is approximately 14' in diameter for full-step walking motion at a mounting height of 8'.



COVERAGE PATTERN - SIDE VIEW

The density and range of the coverage pattern is determined by mounting height. The Integrated Occupancy Sensor coverage pattern shown represents full-step walking motion, with no barriers or obstacles at a mounting height of 8'. An LED light indicates occupancy detection for easy verification of coverage.



WIRING DIAGRAM

Including the ballasts installed in the luminaire that are equipped with the Daylight Sensor, up to (50) fifty 0-10 VDC dimming ballasts may be wired together as a single controlled zone. Contact factory for available 0-10 VDC dimming ballasts. Up to 14 luminaires can be wired together as a single controlled zone (9 for HPR 2x2 HO and 2x4 HO).

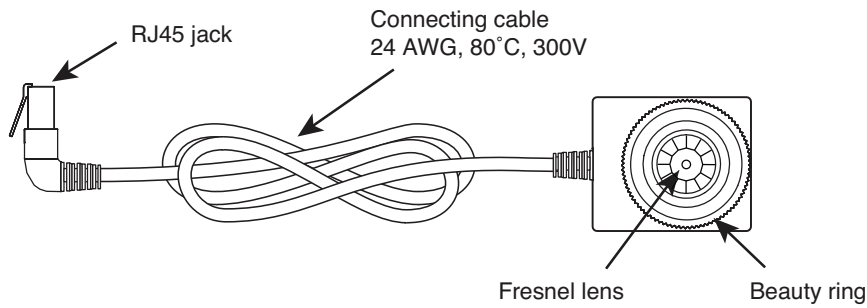
FINELITE

Integrated Sensor - Occupancy

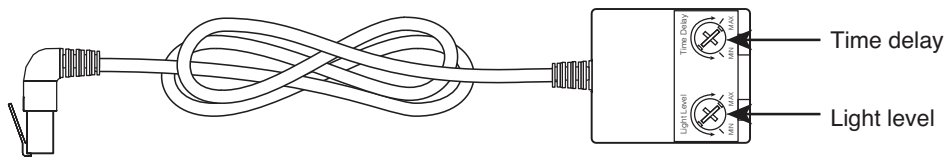
COMMISSIONING ADJUSTMENTS

The time delay and light level adjustments are easily made on the sensor. The time delay can be adjusted for 30 seconds to 30 minutes and comes pre-set from the factory at 15 minutes. The light level adjustment is pre-set at maximum, so HPR luminaires will turn on with occupancy under any ambient lighting condition.

FS-205 Front



FS-205 Back



FS-305

