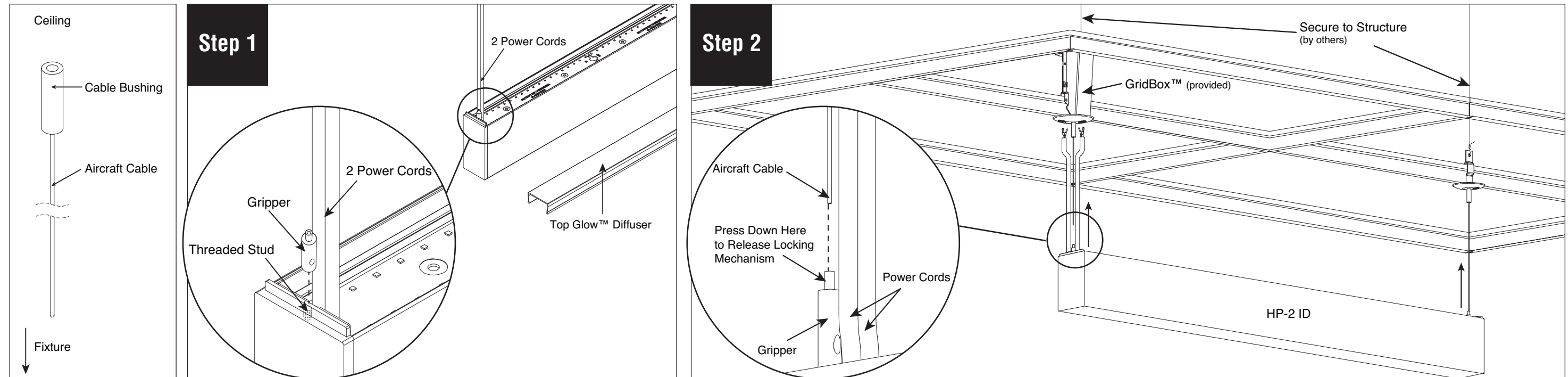


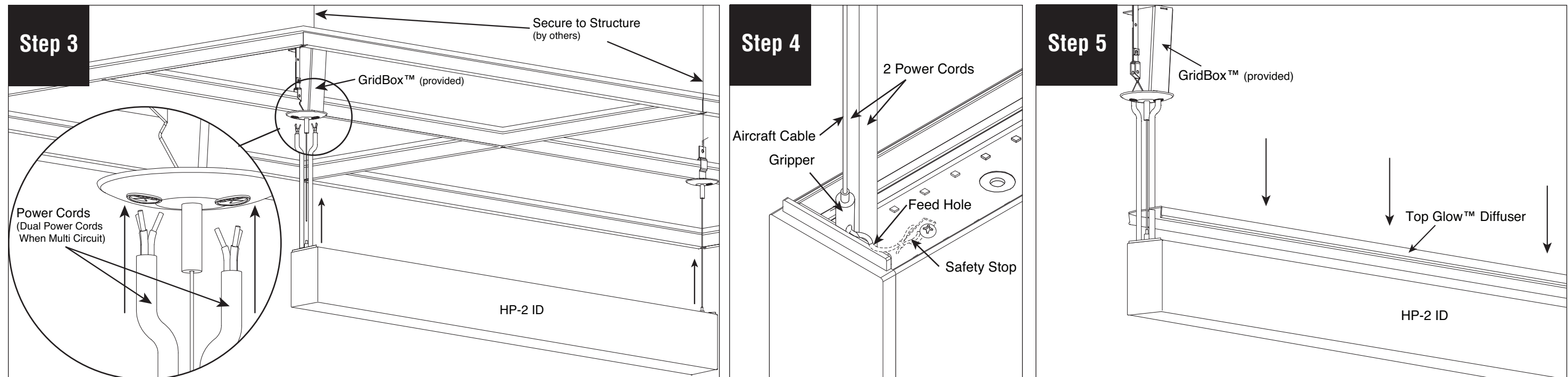
## HP-2 Indirect/Direct Starter/Independent Installation Instructions



Locate aircraft cables

Remove Top Glow™ Diffuser and set aside. Install grippers onto threaded studs on both ends of the fixture.

Align aircraft cables to grippers and insert on both ends of the fixture. Adjust pendant to proper height and level. Press down on top of gripper to release locking mechanism if needed. Secure fixture to structure using tie-wire (supplied by others) according to code.

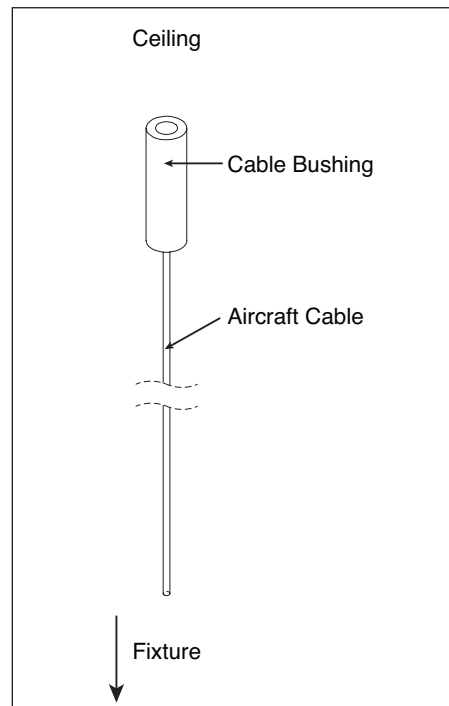


Install power cable through canopy and into GridBox. Make electrical connections in GridBox.

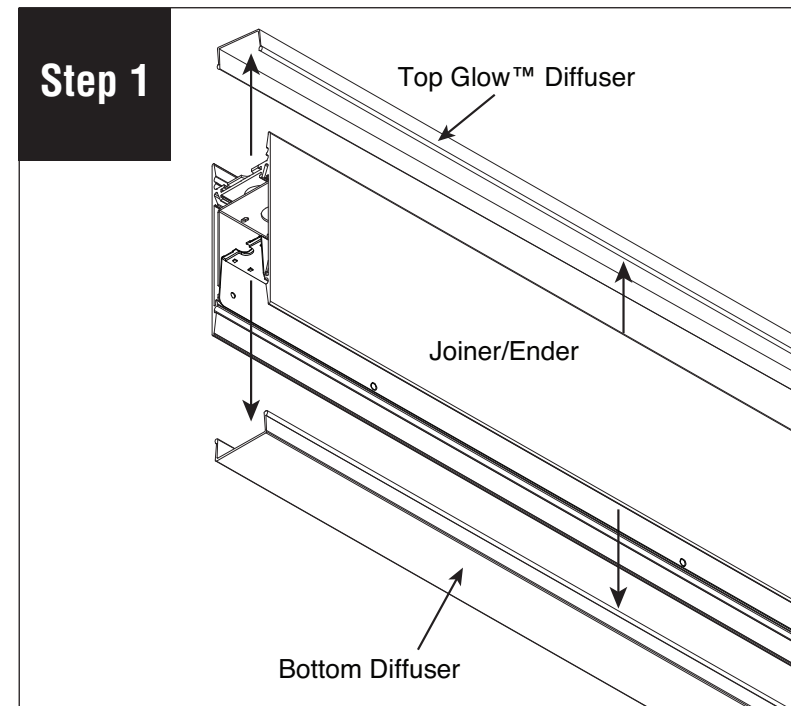
Slide safety stop and safety crimp up to the aircraft cable within 9" of cable gripper. Trim excess cable and insert safety bar assembly through feed hole.

Reinstall Top Glow Diffuser. Turn power on to fixture.

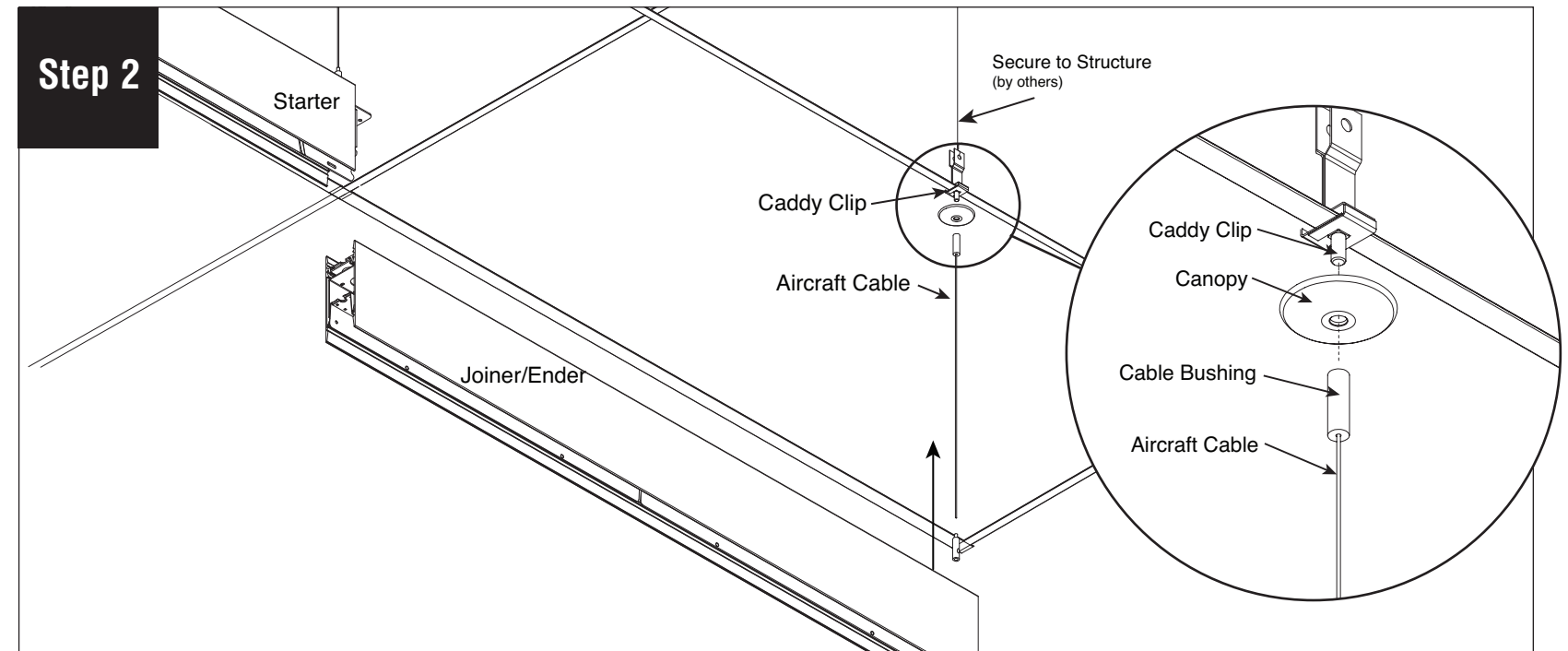
## HP-2 Indirect/Direct Joiner Installation Instructions



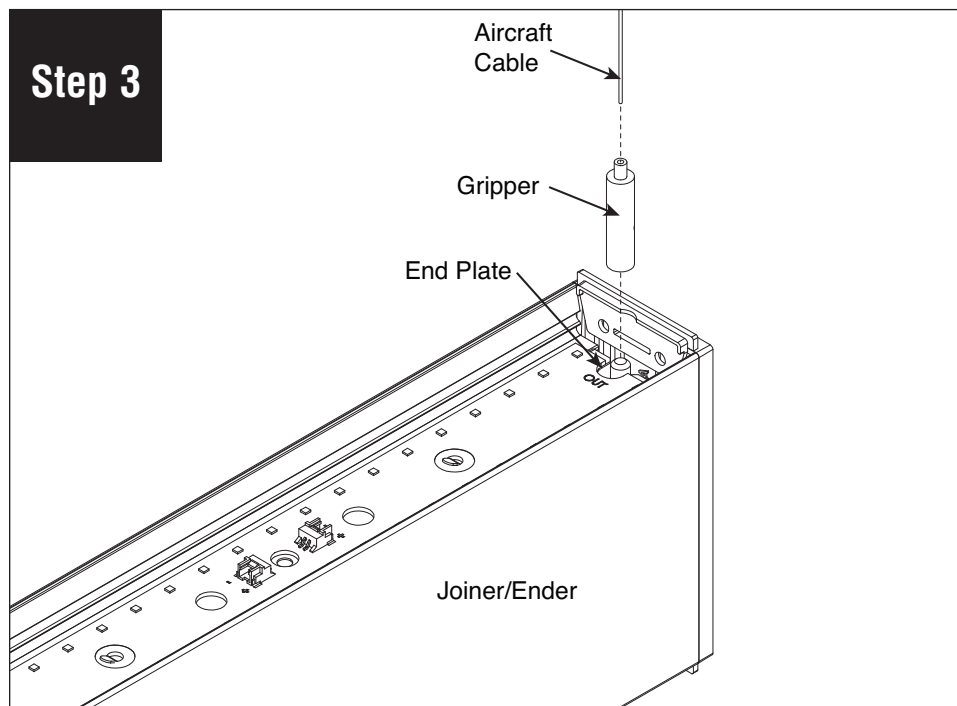
Locate aircraft cables



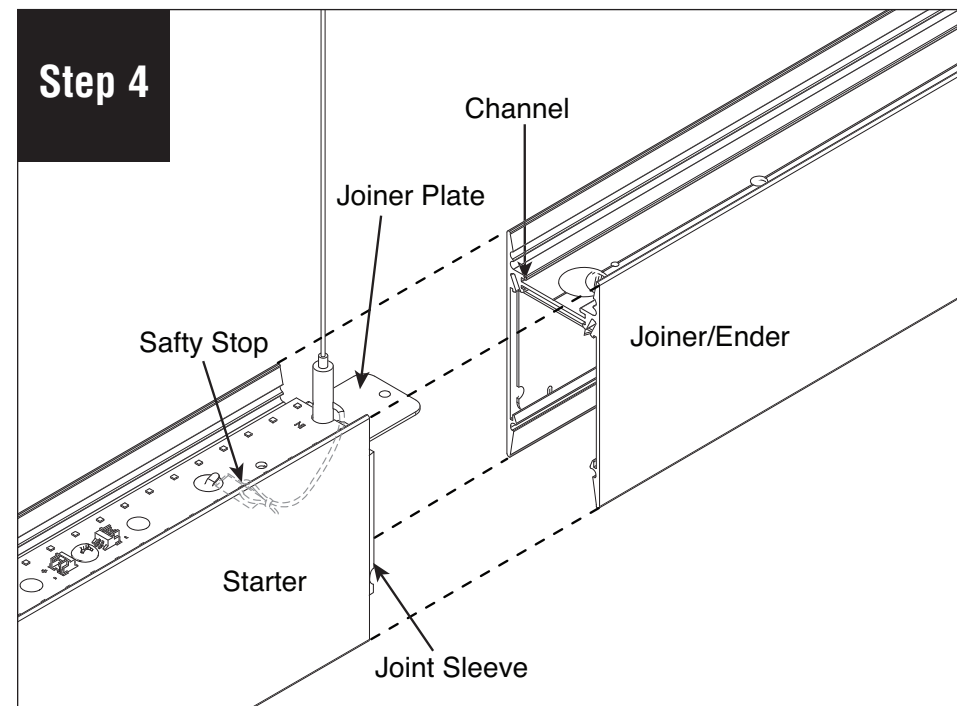
**Step 1** Remove top and bottom diffuser and set aside to prevent it from getting dirty or damaged.



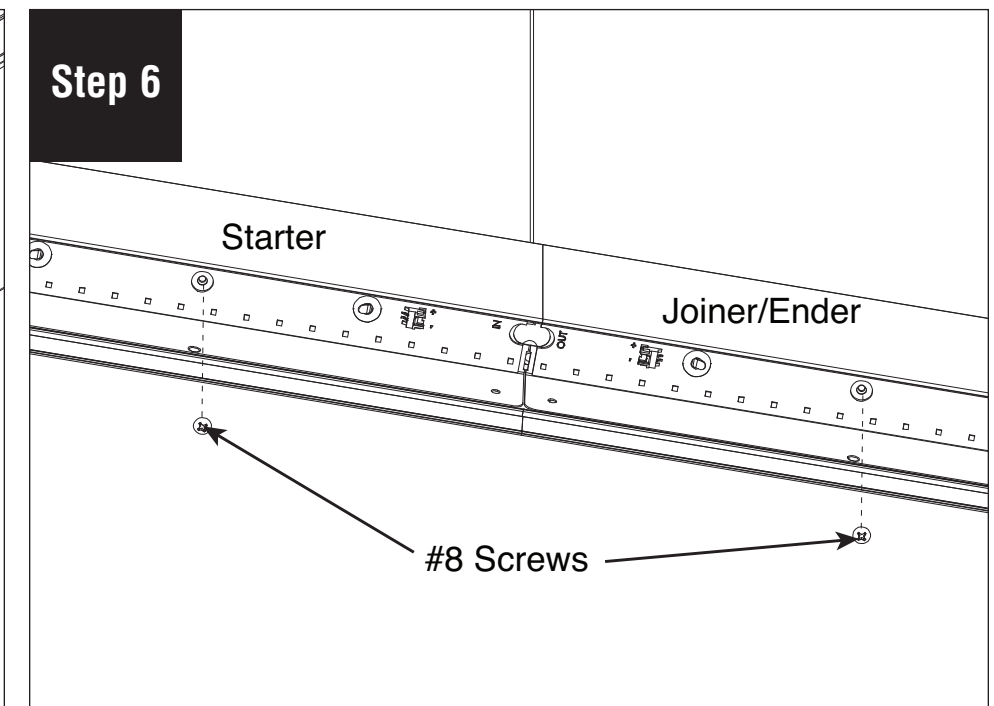
**Step 2** Install caddy clip for joiner/ender. Install canopy, cable bushing and aircraft cable onto caddy clip.



**Step 3** Install gripper onto end plate of fixture then install aircraft cable into gripper. Adjust pendant to proper height and level.

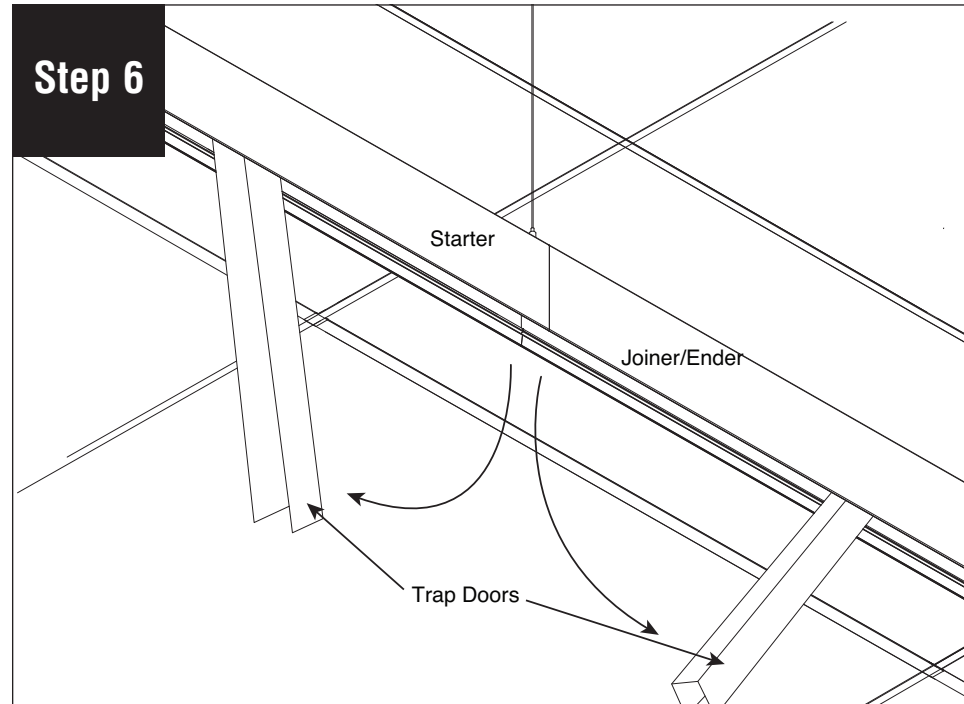


**Step 4** Align starter and joiner/ender fixtures and slide fixtures together. Secure joiner with #8 screw to joiner plate. Slide safety stop and safety crimp up to the aircraft cable within 9" of cable gripper. Trim excess cable and insert safety bar assembly through feed hole.

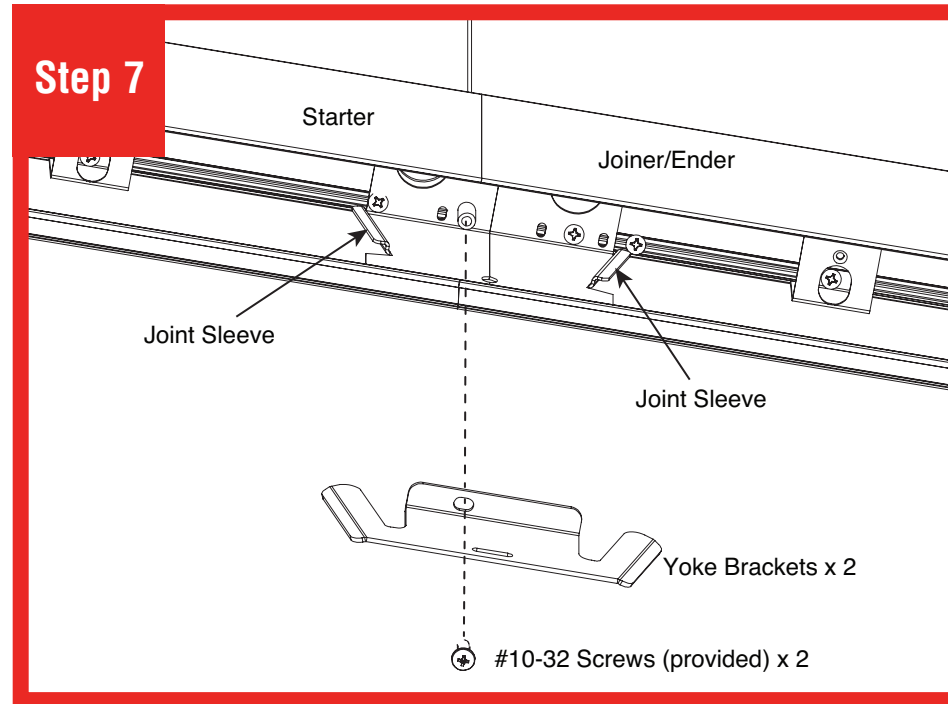


**Step 6** Remove #8 screws from back plates near the joint.

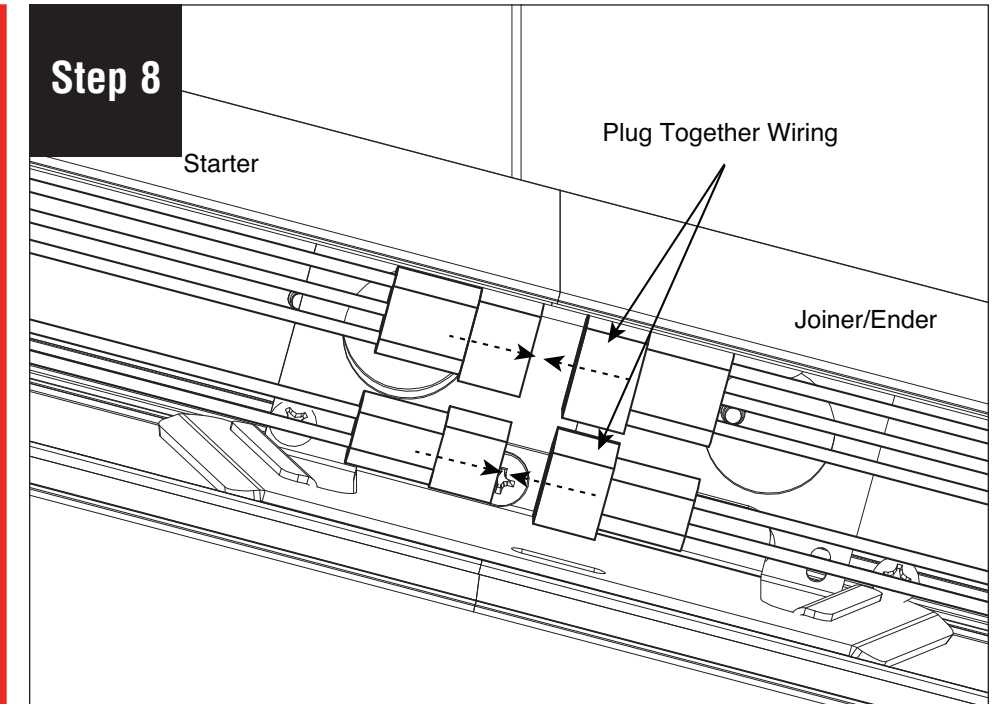
## HP-2 Indirect/Direct Joiner Installation Instructions



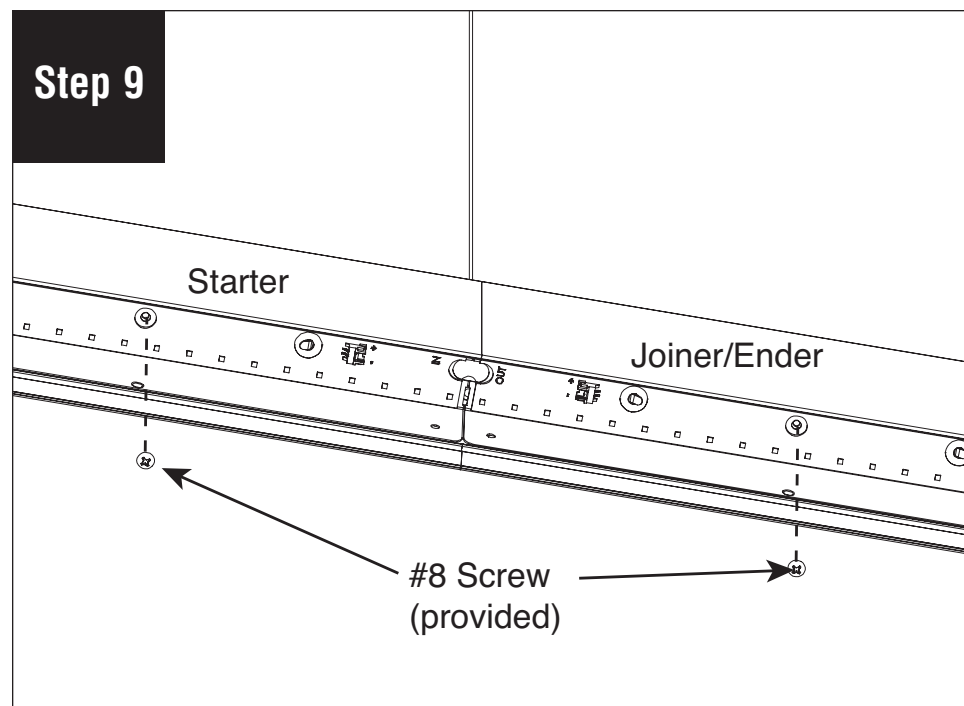
Open the trap doors.



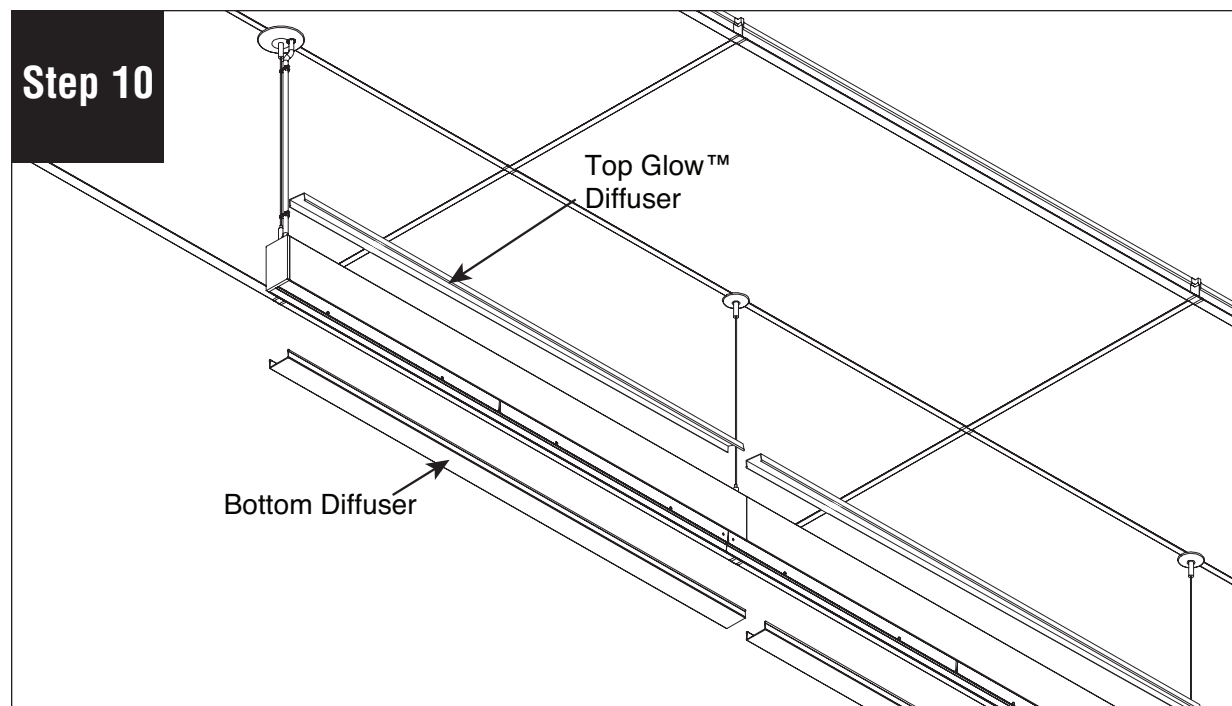
Install 2 yoke brackets onto joint sleeves. Secure with #10-32 screws provided.



Connect plug together wiring.



Replace trap doors and reinstall #8 screws.



Reinstall diffusers and turn power on to fixture.