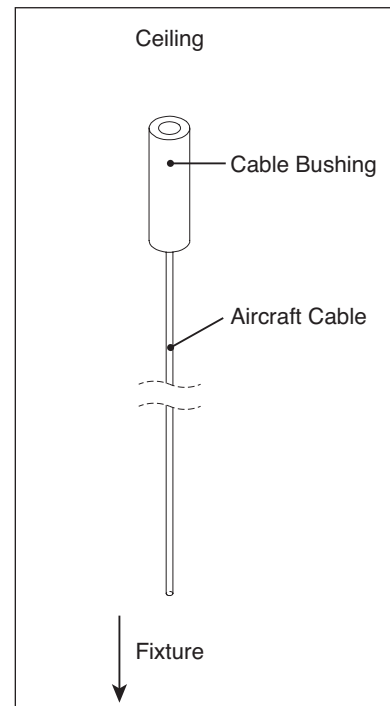
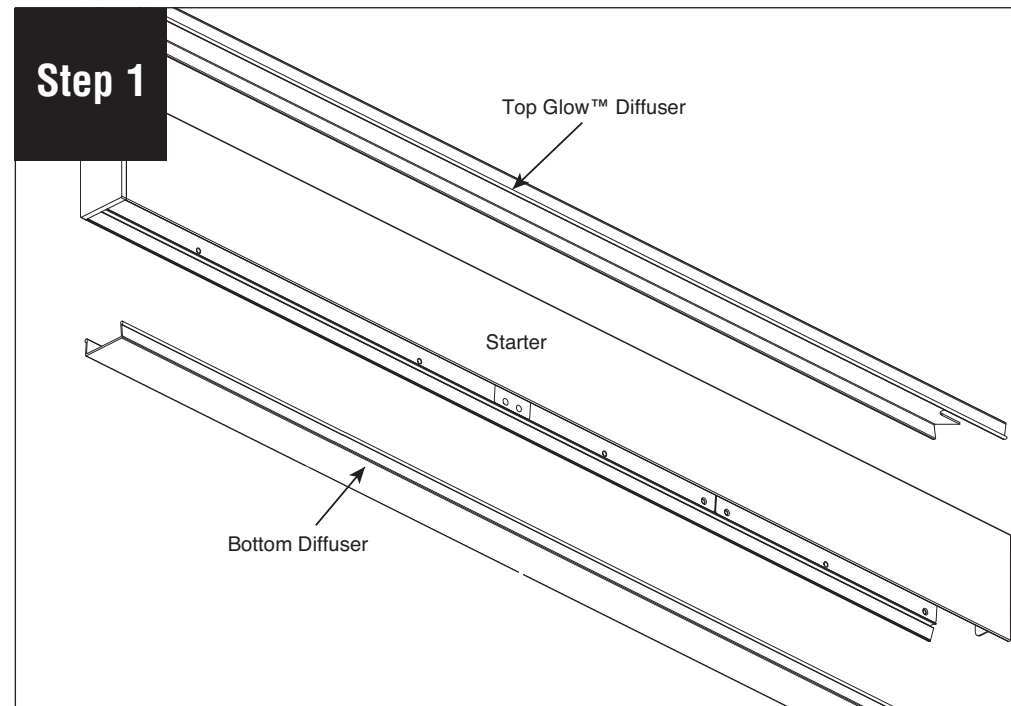


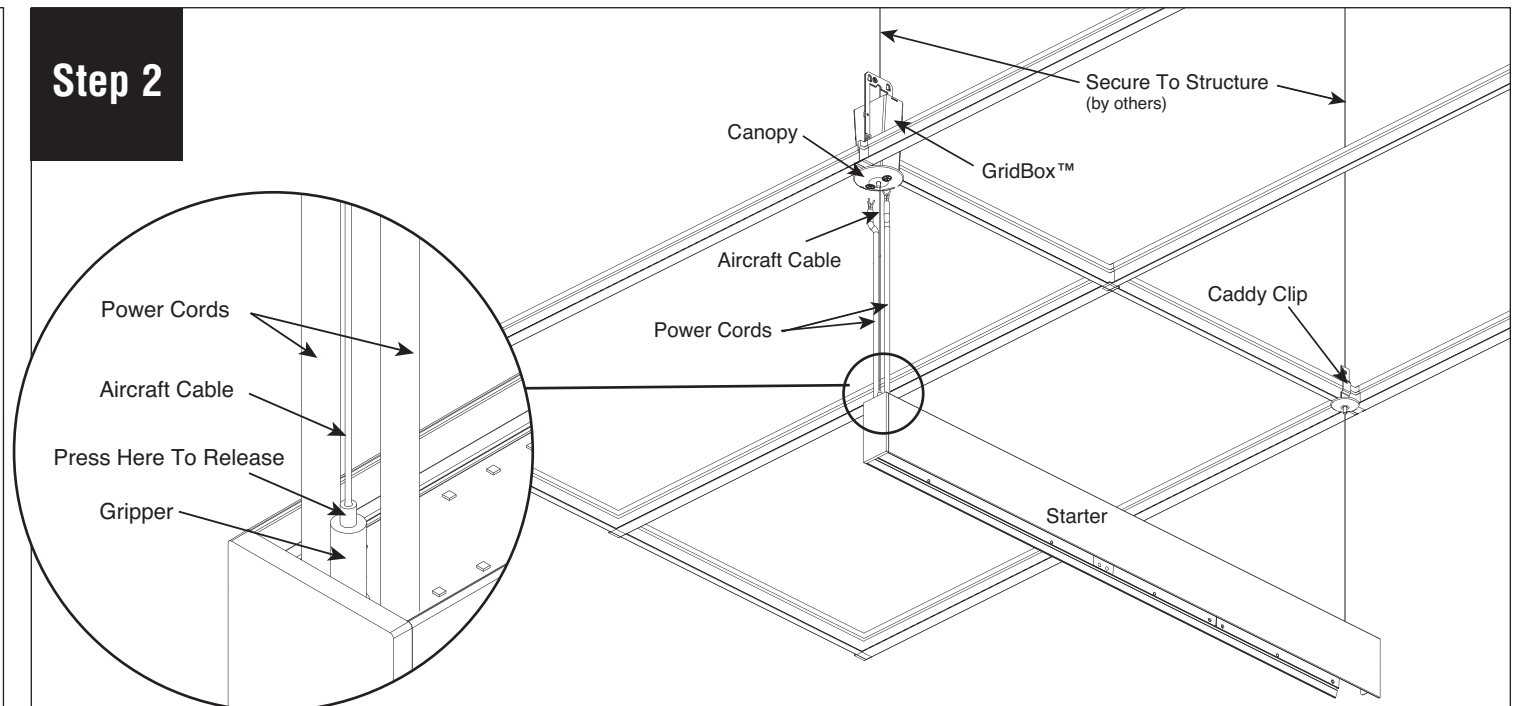
HP-2 Indirect/Direct Pendant Mitered Corner Installation Instructions



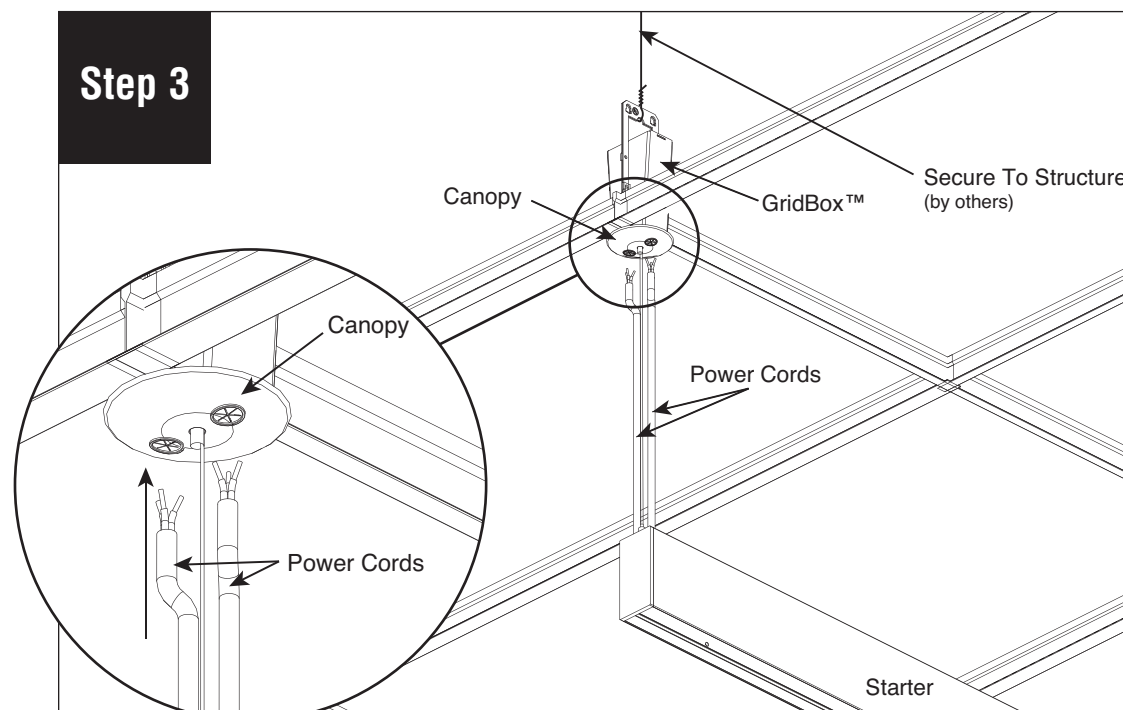
Locate aircraft cables.



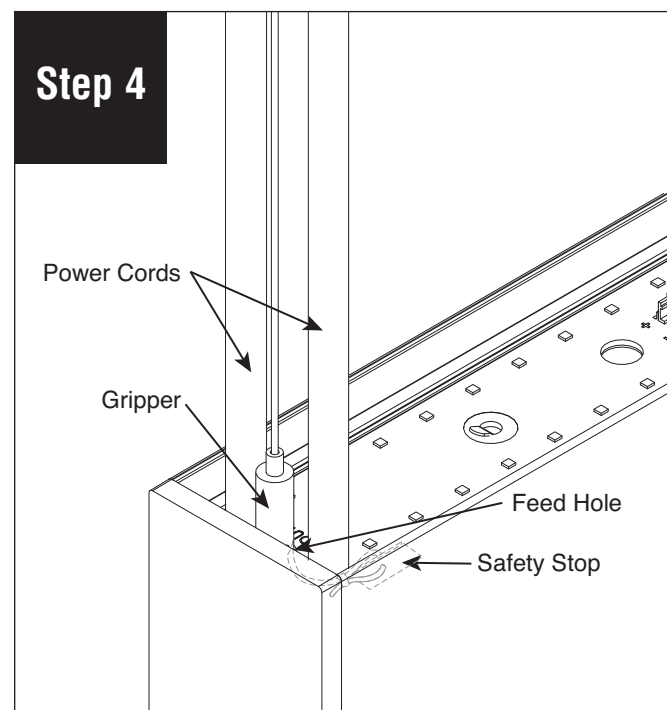
Remove lenses from starter and set aside to prevent it from getting dirty or damaged.



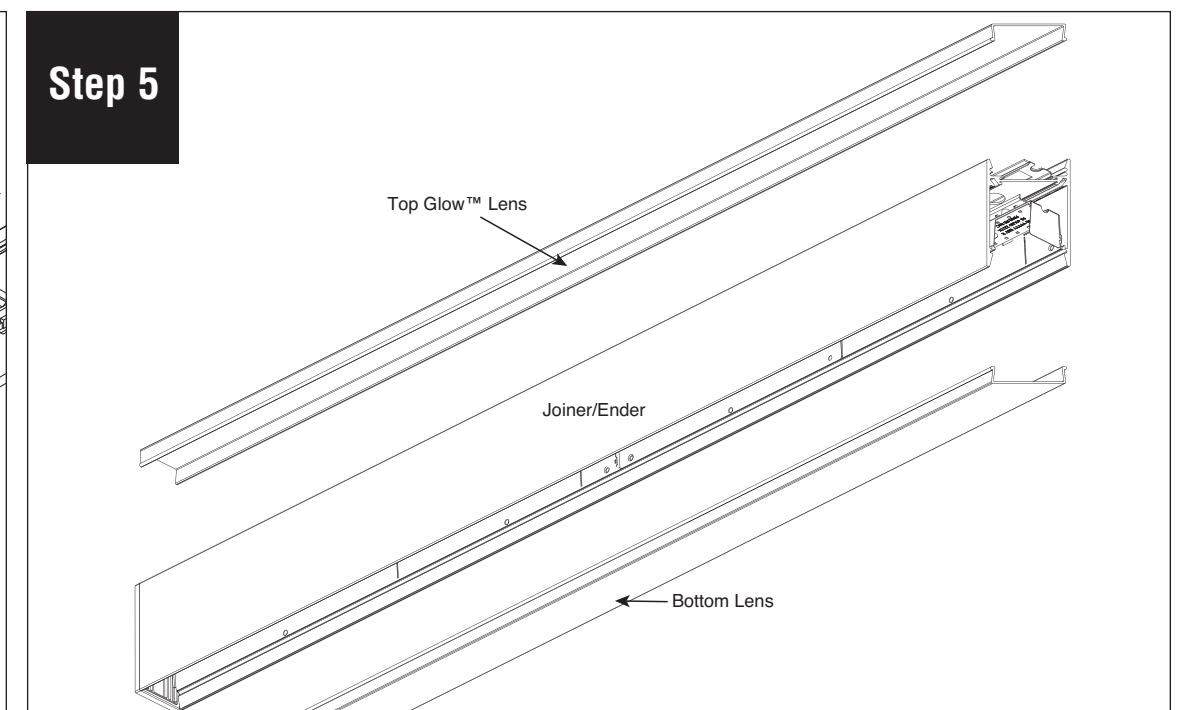
Install GridBox™ and caddy clip onto ceiling grid, then canopies and aircraft cable assemblies. Align aircraft cables to grippers and insert on both ends of the fixture. Adjust pendant to proper height and level. Press down on top of gripper to release locking mechanism if needed. Secure fixture to structure using tie-wire (supplied by others) according to code.



Install power cable through canopy and into GridBox™. Make electrical connections in GridBox.

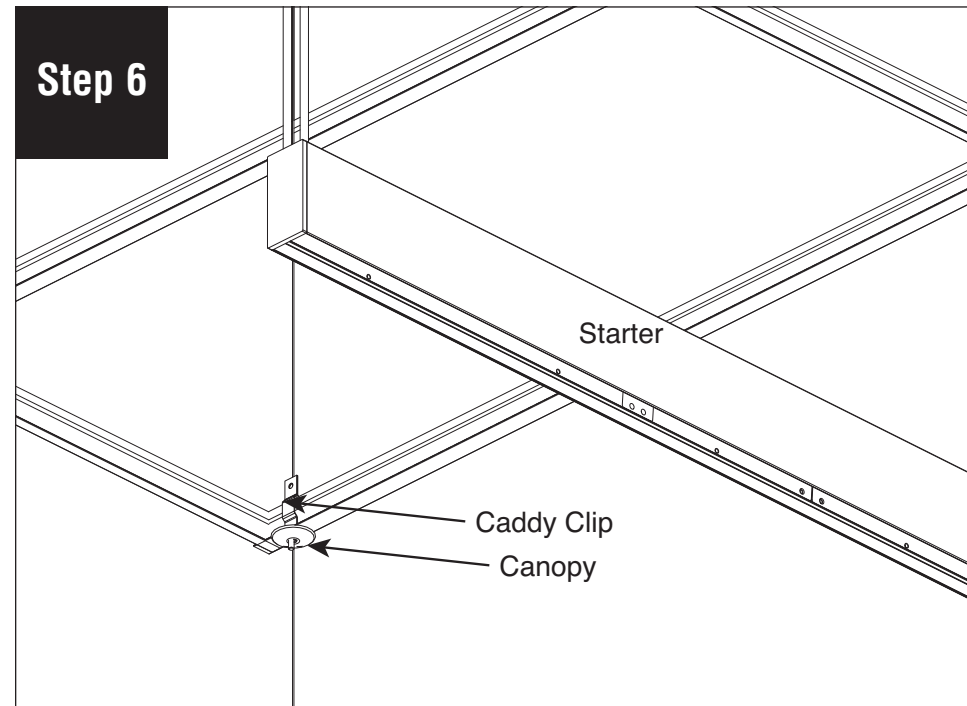


Slide safety stop and safety crimp up to the aircraft cable within 9" of cable gripper. Trim excess cable and insert safety bar assembly through feed hole.

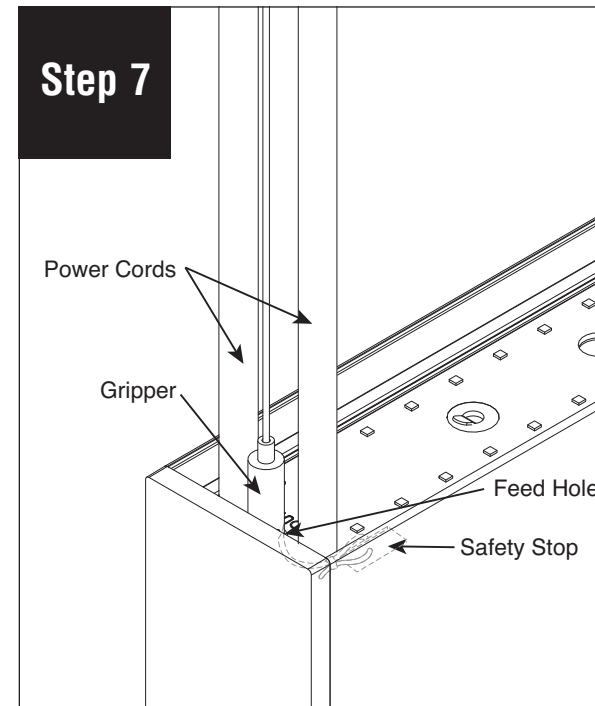


Remove lenses from joiner/ender and set aside to prevent it from getting dirty or damaged.

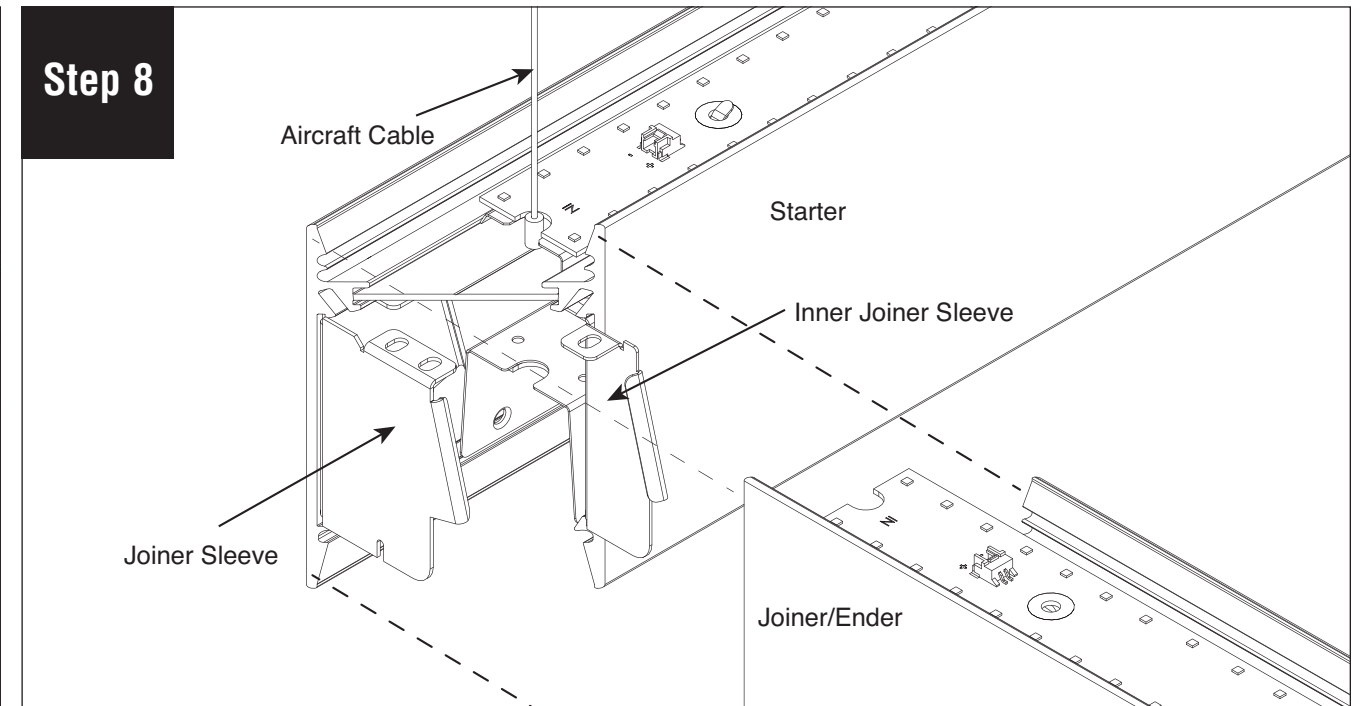
HP-2 Indirect/Direct Pendant Mitered Corner Installation Instructions



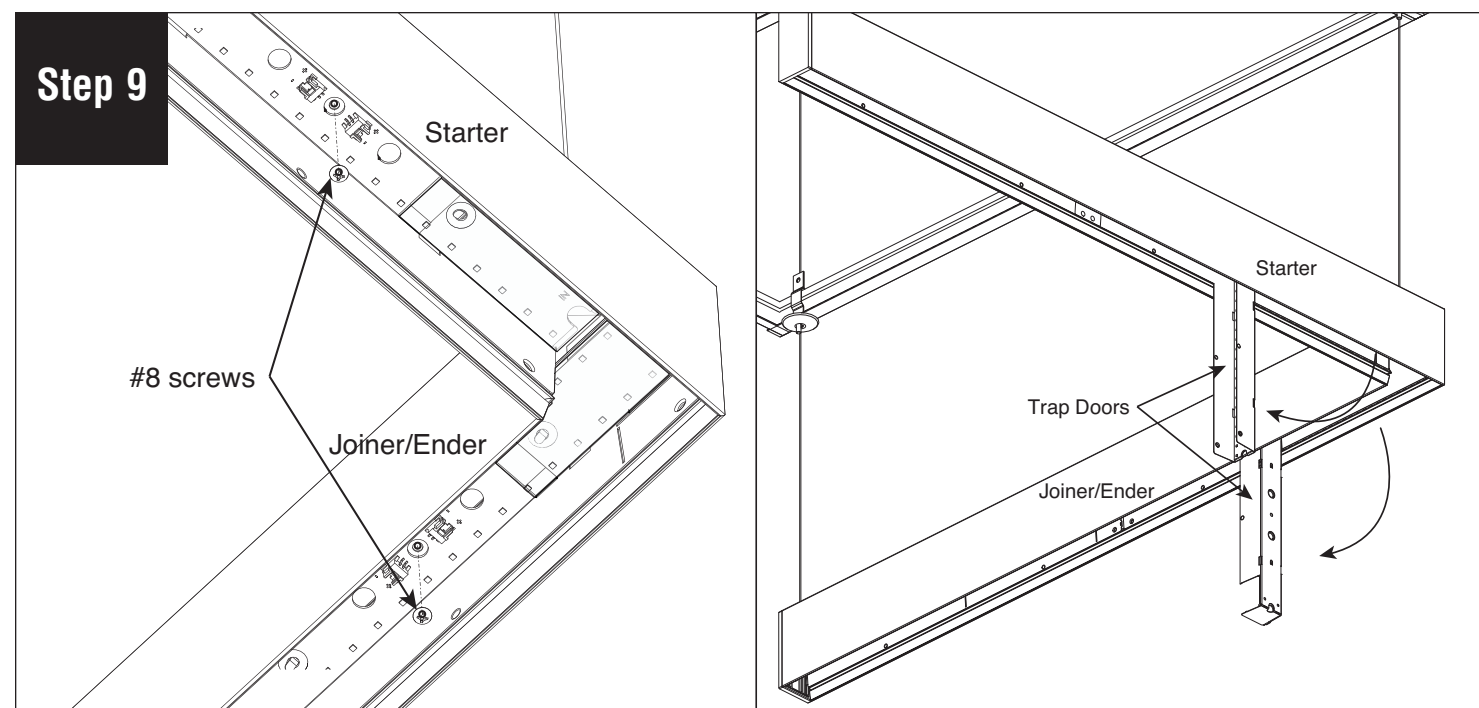
Install caddy clip for joiner/ender.



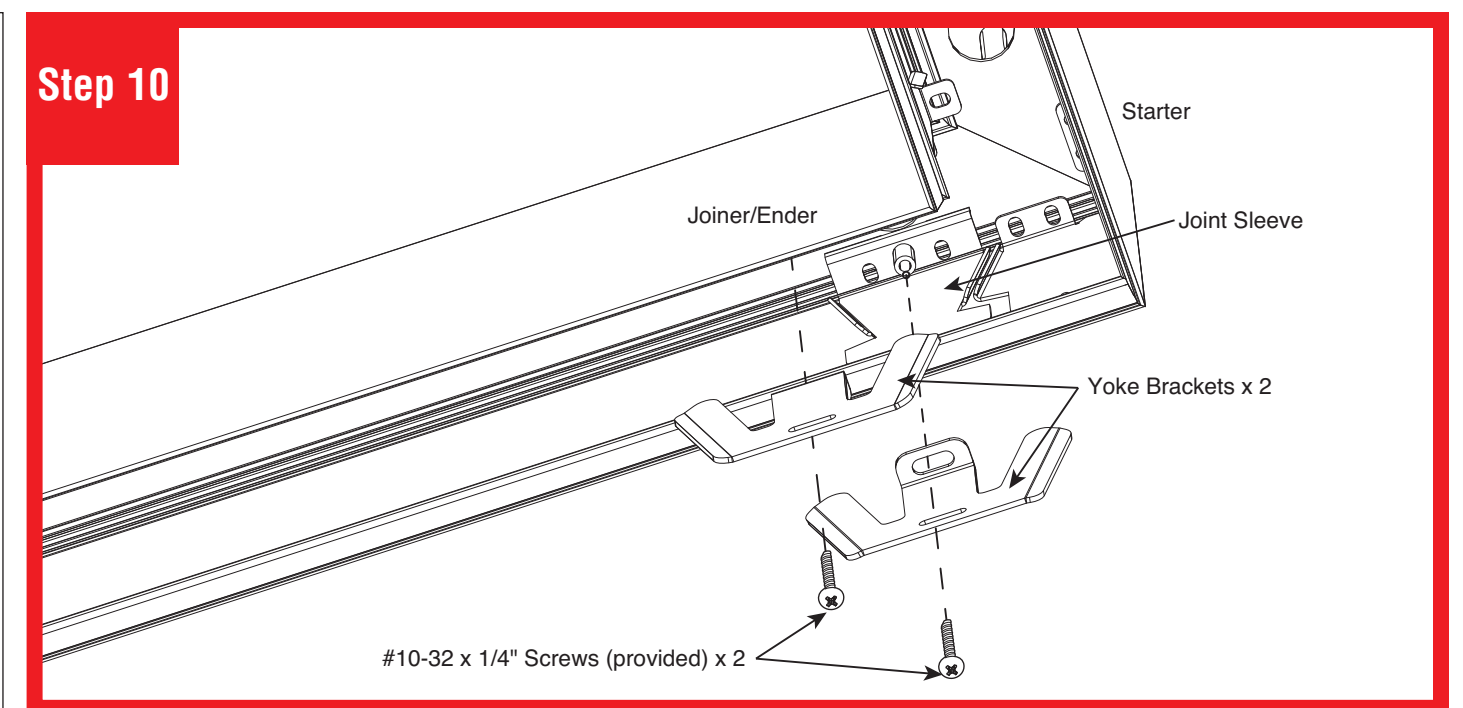
Slide safety stop and safety crimp up to the aircraft cable within 9" of cable gripper. Trim excess cable and insert safety bar assembly through feed hole.



Align starter and joiner/ender, then slide fixtures together.

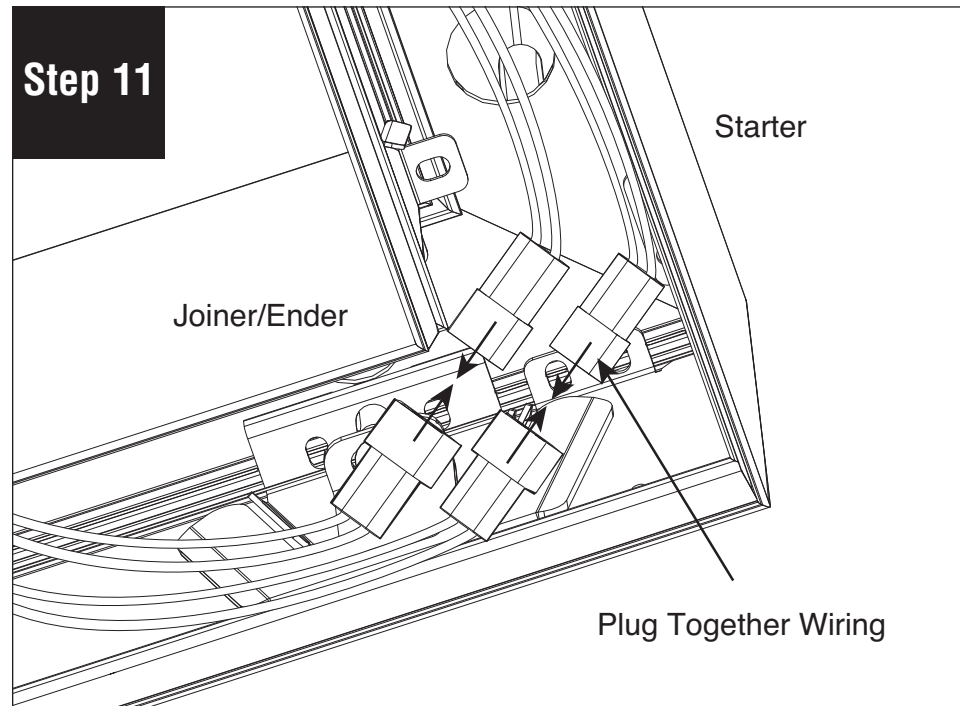


Remove #8 screws from trap doors near joint. Pivot trap door to expose corner brackets.

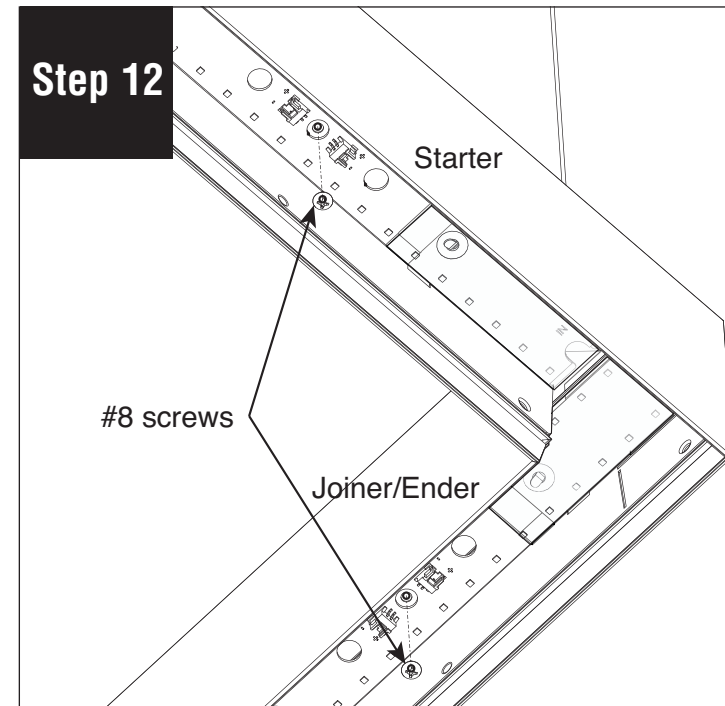


Install yoke brackets onto joint sleeves. Secure with #10-32 screws (provided).

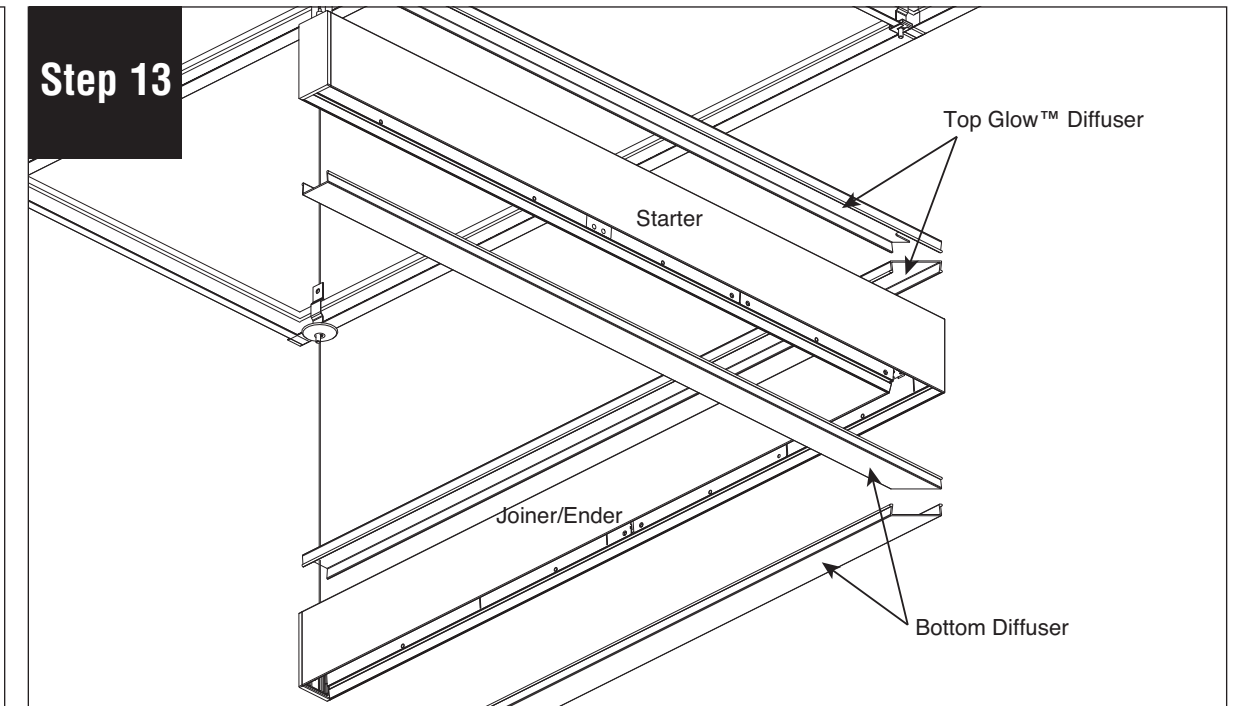
HP-2 Indirect/Direct Pendant Mitered Corner Installation Instructions



Connect plug together wiring.



Close the trap doors and secure with #8 screws.



Reinstall lenses and turn power on to fixture.