



1200mm 36 LED RGB Wall Washer LW1200-REVO-PC-RGB



- 1) Light Source : 36 RGB HP LED
- 2) Input Voltage: 100-264 VAC 60HZ
- 3) Power Consumption: 36W
- 4) Beam Angle: 25°
- 5) IP Rating: IP65
- 6) Data Interface : Standard DMX512 (RS485)
- 7) Four Control Systems : Self-Control Mode/ DMX512 Controller/System Online controller/ System Offline controller
- 8) Color: Red, Green, Blue change continuously to output different brightness, up to 1,600,000 colors
- 9) Function: Combine all sorts of standard DMX512 controller to display effects, such as flowing, chasing, jumping, shading and design.



Please read the instructions carefully before installing the product and save for future reference.

Notice

Corrosive and abrasive chemicals will destroy the product. Do not use abrasive or chemicals to clean the fixture, it will damage the fixture,

Fixture rated to operate at -30°C~+40°C, Running fixture outside of temperature range will reduce the life span.



Indoor and Outdoor

CAUTION:

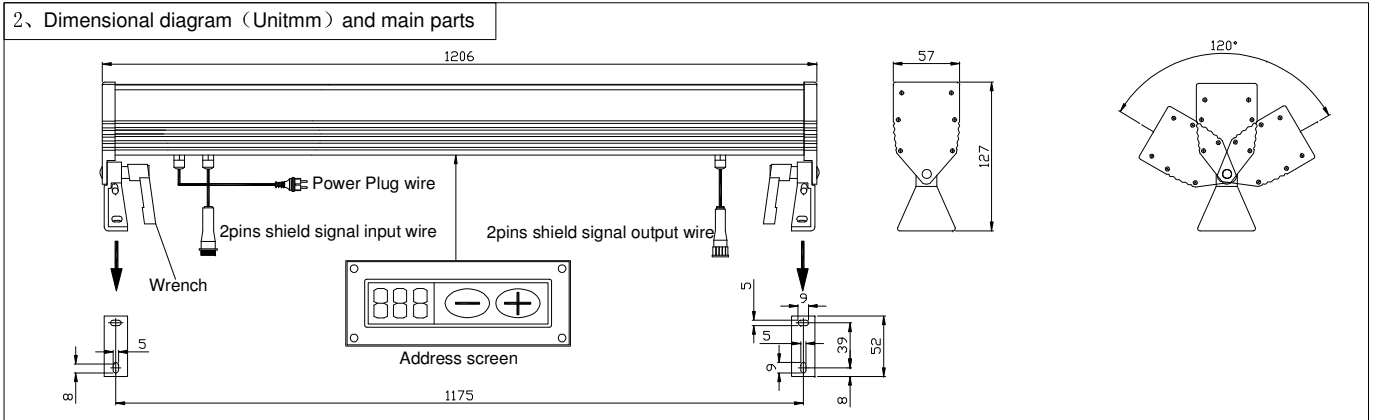
Suggested installation and disassembly should be made by professional electrical technician only. This product can't be disassembled, the LED(s) are not replaceable, if damaged, it must be destroyed.

Risk of fire! Risk of electric and shock.



Danger! ! !

Turn off the power supply before installation, maintenance, and disassembly and repair to avoid SHOCK!





1200mm 36 LED RGB Wall Washer LW1200-REVO-PC-RGB

Product and Mounting Dimensions:

Notice: Installation and maintenance should be completed by qualified professionals.

Product Installation Instruction:

Refer to the hole distance, see #2. Dimensional Diagram and **step 1** of 4. Installation Diagram to drill 4 $\phi 6$ mm installation holes.

Step 2 Push the plastic anchor into installation hole.

Step 3 Adjust every DMX address to achieve desired lighting effect.

Step 4 Mount fixture to mounting surface with self-tapping screw.

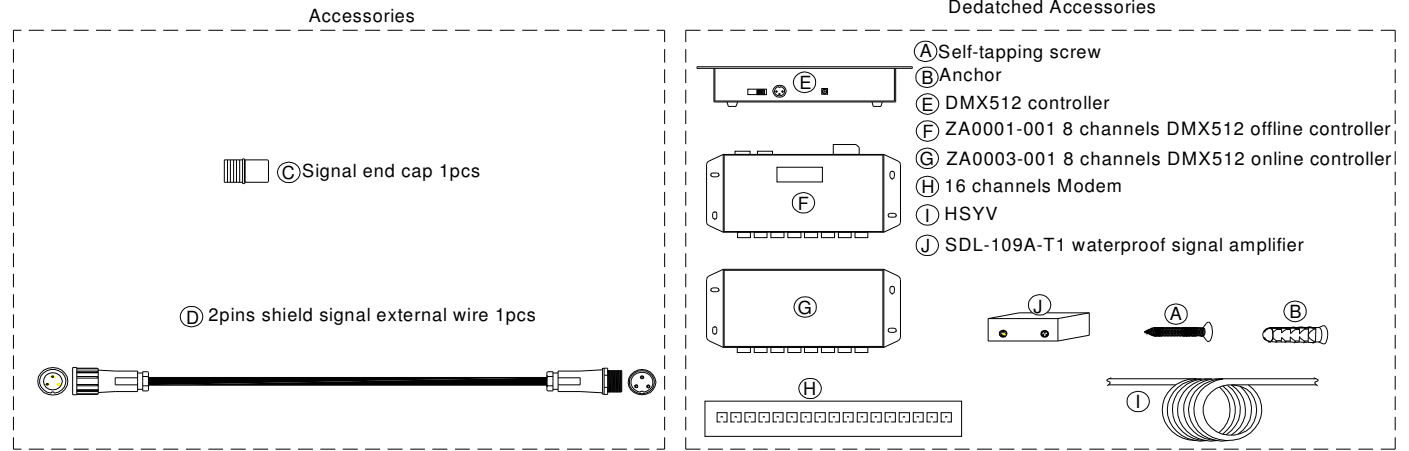
Step 5 Loosen the wrench and adjust the head's angle. Lock the wrench.

Step 6 Connect the signal wire. Make sure the connector is tightened well to remain waterproof.

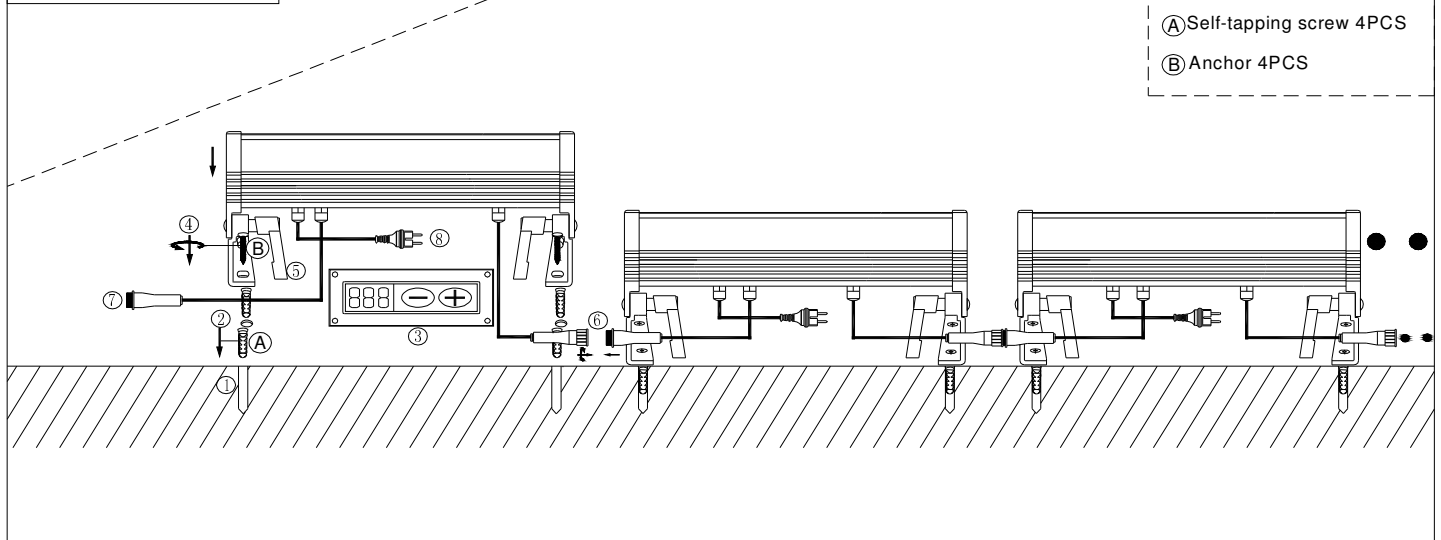
Step 7 Choose control mode you need and make the electrical connection.

Step 8 Connect to power supply.

3、 Installation accessories



4、 Installation Diagram





1200mm 36 LED RGB Wall Washer LW1200-REVO-PC-RGB

Self-control Mode Use Manual:

Function Specialty: R, G, B changes to produce different brightness and 7 colors. It is Suitable for landscaping and connecting a few or a single fixture.

Step① Choose the first fixture of the string as the main light.

Step② Set the second and afterward as 002 (Above steps need to be done during installation).

Step③ When the signal wire is over 100m, signal amplifier should be used to enhance signal and avoid distortion.

Step④ Make sure to use end cap or waterproof glue on the first and last fixture. Not doing so will cause signal distortion or dead fixtures.

Step⑤ Connect to power supply.

Remarks: Each string can control 170 fixtures maximum. Overlong distance may connect with 2 pin signal external wire.

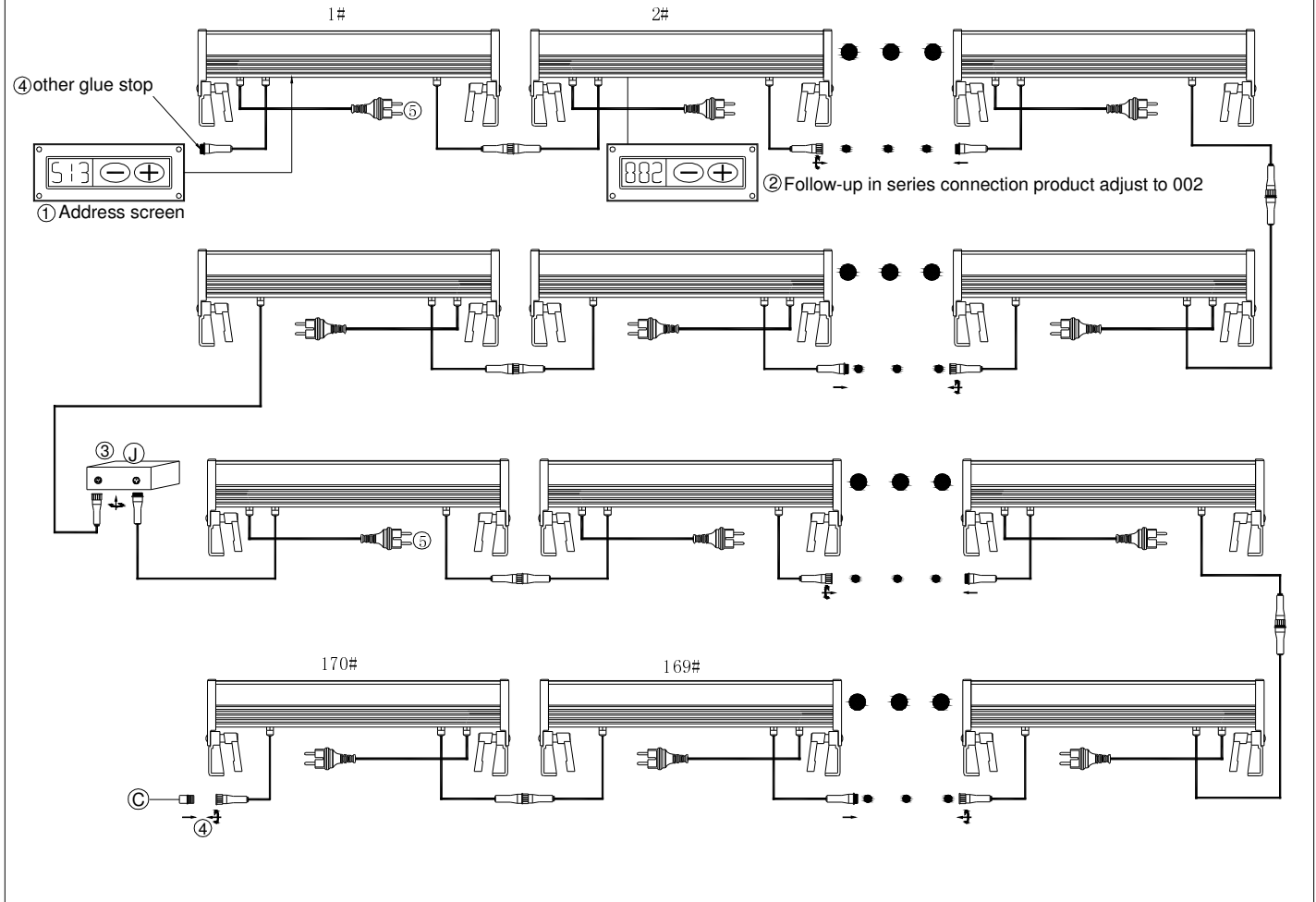
Self-control Mode and Address:

Self-control Mode	Correspond Address
Red	513
Green	514
Yellow	515
Blue	516
Purple	517
Black	518
White	519
Color Jumping	520
Color Flashing	521
Color Fading	522

5、Self-control mode connection diagram

Accessories listing:

- Ⓒ Signal wire end cap
- Ⓙ SDL-109A-T1 waterproof signal amplifier
- ⓓ 2 pins shield signal external wire



1200mm 36 LED RGB Wall Washer LW1200-REVO-PC-RGB

DMX512 Use Manual:

Function Specialty: R, G, B changes to produce different brightness and 16 million different colors. Suitable for landscaping and limited quantity of fixtures.

Step① Adjust every DMX address to achieve desired lighting effect.

Step② When the signal wire is over 100m (300 feet) a signal amplifier should be used to enhance signal and avoid distortion.

Step③ Make sure to use end cap or waterproof glue on the first and last fixture. Not doing so will cause signal distortion or dead fixtures.

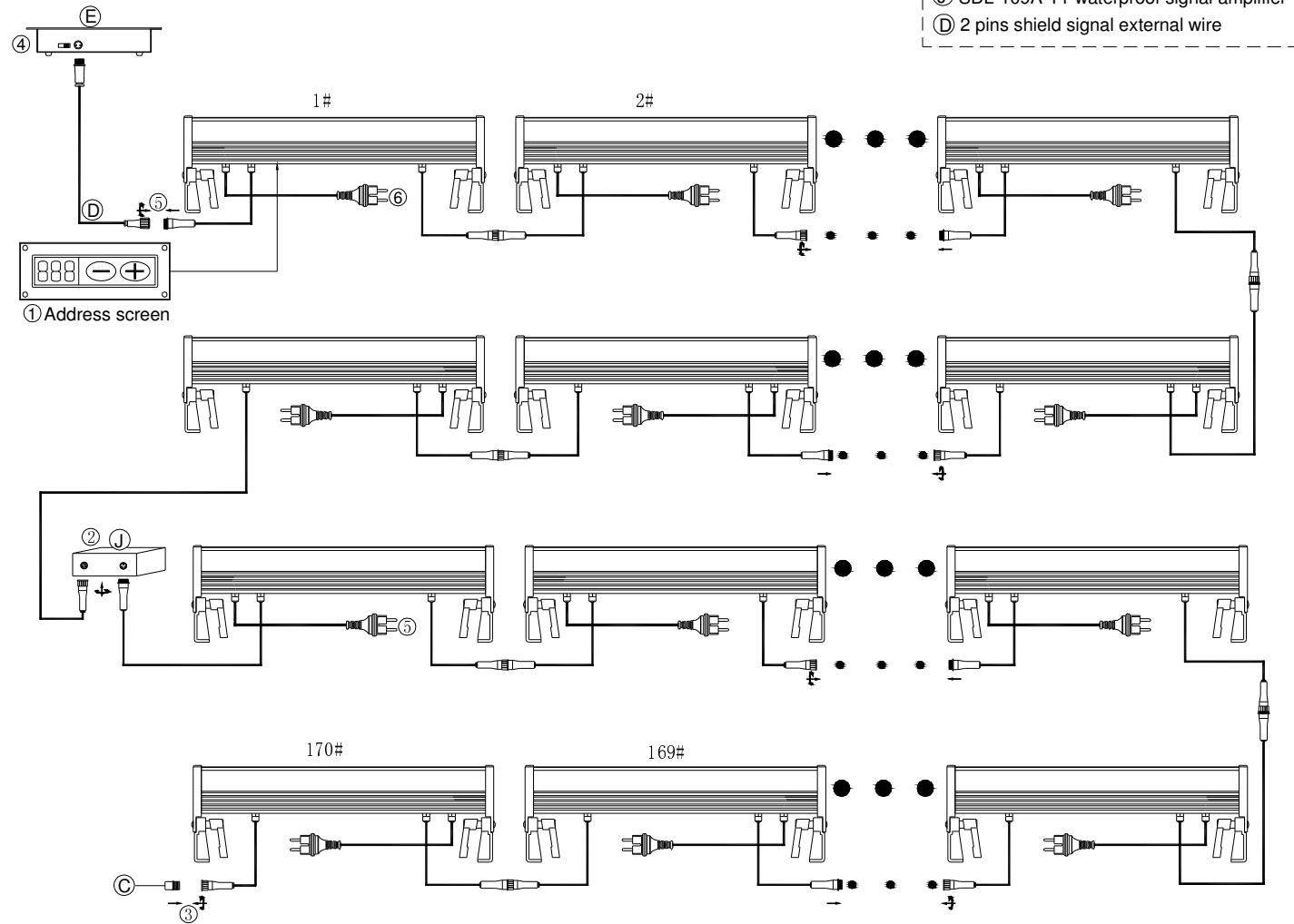
Step④ DMX512 isn't waterproof, so it must be put in a dry location.

Step⑤ After setting DMX512 controller, use 2 pin signal shield external wire to connect.

Step⑥ Connect to power supply.

Remarks: Standard DMX512 controller can control 170 fixtures maximum. Over long distance it may connect with 2 pin shielded signal external wire.

6、DMX512 controller connection diagram



1200mm 36 LED RGB Wall Washer LW1200-REVO-PC-RGB

Controlling System Use Manual (Offline Control):

Features: R, G, B changes to produce different brightness and 16 million different colors. SD card contains lighting effect desired. Fixture is Suitable for landscaping and complicated lighting effects.

Step① Adjust each DMX address to cooperate with the lighting effect desired.

Step② When the signal wire is over 100m, signal amplifier should be used to enhance signal and avoid distortion.

Step③ Make sure to use end cap or waterproof glue on the first and last fixture. Not doing so will cause signal distortion or dead fixtures.

Step④ ZA0001-001 8 channels DMX512 offline controller isn't waterproof so it must be in a dry location. Each connector can control 170 fixtures at most, 1,360 fixtures altogether. Need HSYV to connect with next controller.

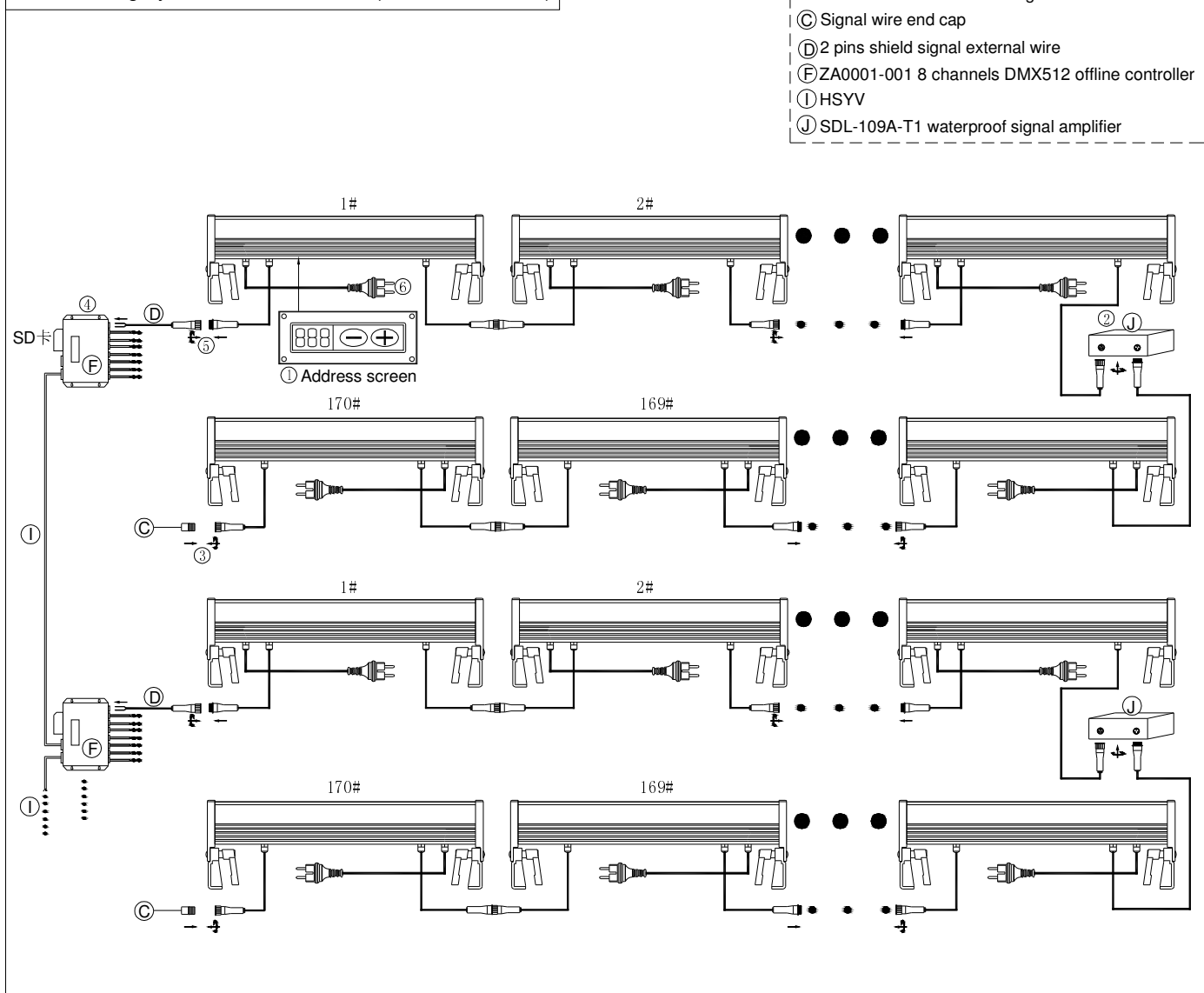
Step⑤ After setting the controller, use 2 pins shield signal external wire to connect with the next fixture.

Step⑥ Connect to power supply.

Remarks:

- 1) Overlong distance of connection may connect with 2 pin shielded signal external wire.
- 2) Please refer to offline controller user manual for operation and parameters.

7、Controlling System Connection Mode(Offline Connection)





1200mm 36 LED RGB Wall Washer LW1200-REVO-PC-RGB

Controlling System Use Manual (Online Control):

Features: R, G, B changes to produce different brightness and 16 million different colors. With computer, it can change and display lighting effects freely.

Step ① Adjust each DMX address to cooperate with the lighting effect and wiring method. **(Step ②)** When the signal wire is over 100m, use signal amplifier to enhance signal and avoid signal distortion.

Step ③ Make sure to use end cap or waterproof glue on the first and last fixture. Not doing so will cause signal distortion or dead fixtures

Step ④ User responsible for computer preparation. 16 channels Modem for dry location only. Each connector can connect 16 offline controllers at maximum, Need HSYV to connect with next controller.

Step ⑤ ZA0001-001 8 channels DMX512 online controller isn't waterproof, so it must put in dry location only. Each connector can control 170 fixtures, 1360s altogether. Need HSYV to connect.

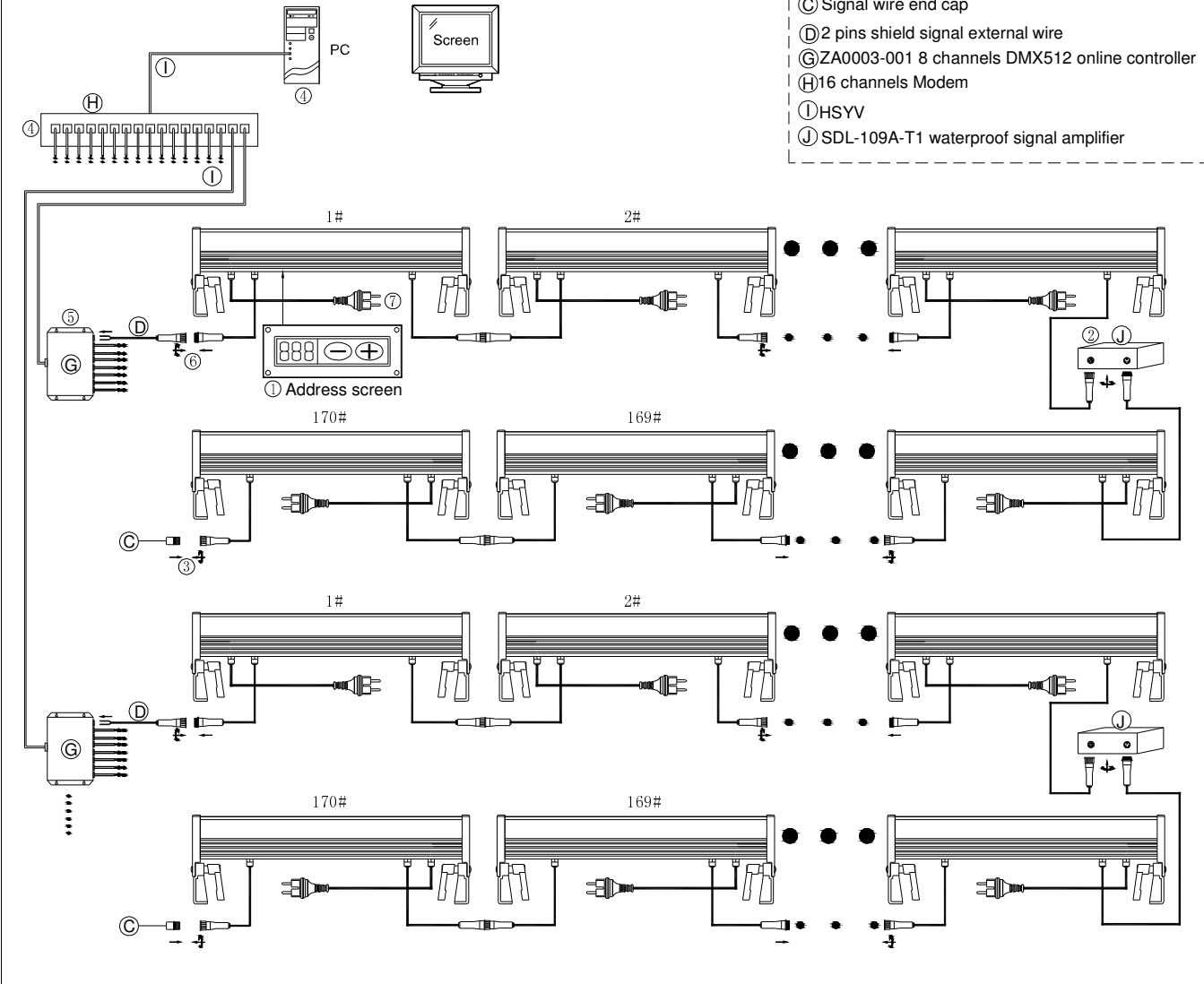
Step ⑥ After setting the controller, use 2 pins shield signal external wire to connect with next fixture.

Step ⑦ Connect to power supply.

Remarks:

- 1) Over long distance connections may connect with 2 pin shielded signal external wire.
- 2) Please refer to online controller use manual for operation way and parameter.

8、Controlling System Connection Mode(Online Connection)



Accessories and electrical listing:

- ③ Signal wire end cap
- ④ 2 pins shield signal external wire
- ⑤ ZA0003-001 8 channels DMX512 online controller
- ⑥ 16 channels Modem
- ① HSYV
- ⑦ SDL-109A-T1 waterproof signal amplifier