

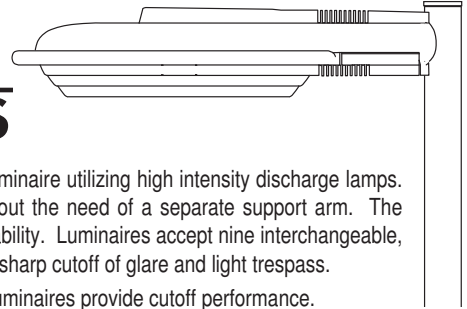
Notes:

Job:

Type:

CIRCA

CR20 AND CR25 AREA LUMINAIRES



GENERAL DESCRIPTION: The Gardco Circa product line is a low profile, curvilinear cutoff luminaire utilizing high intensity discharge lamps. The housings are one-piece, diecast aluminum and mount directly to a pole, mast arm or wall without the need of a separate support arm. The shallow, rounded form produces extremely low effective projected areas for superior wind loading capability. Luminaires accept nine interchangeable, rotatable precision segmented optical systems which provide high light levels, uniform illumination and sharp cutoff of glare and light trespass.

CUTOFF PERFORMANCE: Flat glass lens luminaires provide full cutoff performance. Sag Lens luminaires provide cutoff performance.

ORDERING

PREFIX	CONFIGURATION	DISTRIBUTION	WATTAGE	VOLTAGE	FINISH	RING	OPTIONS
<input type="text"/>	<input type="text"/>	<input type="text"/>	<input type="text"/>	<input type="text"/>	<input type="text"/>	<input type="text"/>	<input type="text"/>

Enter the order code into the appropriate box above. Note: Gardco reserves the right to refuse a configuration. Not all combinations and configurations are valid. Refer to notes below for exclusions and limitations. For questions or concerns, please consult the factory.

PREFIX

CR20	Small Circa	<i>Standard arm without any RPA mounts to round poles from 3.85" to 4.5" OD.</i>
CR25	Large Circa	

CONFIGURATION

1	Single Assembly	3@120	Triple at 120°
2	Twin Assembly	4	Quad Assembly
2@90	Twin Assembly at 90°	W	Wall Mount, Recessed J-Box
3	Triple at 90°	WS	Wall Mount, Surface Conduit

DISTRIBUTION

Horizontal Lamp

1	Type I, Horizontal Lamp	<i>N/A above 400w</i>
2XL	Type II, Horizontal Lamp	
3XL	Type III, Horizontal Lamp	
4XL	Type IV, Horizontal Lamp	
5H	Type V, Horizontal Lamp	<i>N/A above 400w.</i>

Vertical Lamp

2XLV	Type II, Vertical Lamp
3XLV	Type III, Vertical Lamp
4XLV	Type IV, Vertical Lamp
5V	Type V, Vertical Lamp

All luminaires with vertical lamp optics require a sag glass lens, and a conical-shaped top housing extension.

FINISH

BRP	Bronze Paint
BLP	Black Paint
WP	White Paint
NP	Natural Aluminum Paint
OC	Optional Color Paint <i>Specify RAL designation ex: OC-RAL7024.</i>
SC	Special Color Paint <i>Specify. Must supply color chip.</i>

RING

AR	Aluminum Ring
SR	Stainless Steel Ring <i>Brushed.</i>
OR	Optional Color Ring <i>Ring supplied same color as housing standard. For optional color, specify finish or RAL#.</i>
LR	Less Ring

WATTAGE

CR20	CR25	
100MH	250MH	250PSMH⁸
150MH²	400MH	320PSMH^{3,9}
175MH		350PSMH³
200MH^{2,4}	200HPS	400PSMH¹⁰
250MH^{1,7,11}	250HPS	450PSMH^{4,5}
	400HPS	750PSMH^{5,6}
	100HPS	875PSMH⁵
	150HPS	750HPS⁵

- Horizontal lamp optics only.
- Not available in 480V.
- Requires E28/BT28 lamp.
- Vertical lamp optics only.
- Supplied with sag glass lens.
- M149 only. Horizontal optics require MS750/PS/BU-HOR/BT37 lamp.
- Type 1 and Type 5H utilize E-28 lamp. Types 2XL, 3XL and 4XL require the E-18 lamp.
- M138 or M153.
- M132 or M154.
- M135 or M155.
- 250MH WITH 347V is not available with the QS or QST options.

MH Metal Halide
PSMH Pulse Start Metal Halide
HPS High Pressure Sodium

VOLTAGE

120
208
240
277
347¹¹
480

11. 250MH WITH 347V is not available with the QS or QST options.

OPTIONS

F	Fusing <i>In Head N/A with 750w and 875w.</i>	RPA1	3" Round Pole Adapter <i>Required for 3" OD round or tapered round poles where top OD is less than 3.85".</i>
LF	In-Line/In-Pole Fusing	RPA2	5" and 6" Round Pole Adapter <i>Required for 5"-6" OD round poles</i>
PC	Photocontrol and Receptacle <i>N/A with 480V.</i>	PTF2	Pole Top Fitter - 2 3/8" - 3" Dia. Tenon
PCR	Photocontrol Receptacle only	PTF3	Pole Top Fitter - 3 - 3 1/2" Dia. Tenon
HS	Internal Houseside Shield <i>875w available with External Shield only.</i>	PTF4	Pole Top Fitter - 3 1/2 - 4" Dia. Tenon
QS¹²	Quartz Standby	SPA	Square Pole Adaptor <i>2 3/4" OD Minimum Pole Width.</i>
QST¹²	Quartz Standby - Timed Delay <i>12. 400w HID max. N/A with 250MH with 347V.</i>	MA	Mast Arm Mounting Kit (Internal) <i>Requires 2 3/8" OD Mast Arm.</i>
SG	Sag Glass Lens <i>In lieu of flat glass Supplied standard with 750w and 875w.</i>	TB	Terminal Block

Gardco Lighting reserves the right to change materials or modify the design of its product without notification as part of the company's continuing product improvement program. The XL optical system is protected by U.S. patent number 5690422.

© Copyright Gardco Lighting 2001-2007. All Rights Reserved. International Copyright Secured.

A Genlyte Company

Gardco Lighting
1611 Clovis Barker Road
San Marcos, TX 78666

(800) 227-0758
(512) 753-1000
FAX: (512) 753-7855
www.sitelighting.com



GARDCO
LIGHTING

79115-117/0607

CIRCA

CR20 AND CR25 AREA LUMINAIRES

SPECIFICATIONS

GENERAL DESCRIPTION: The Gardco Circa product line is a low profile, curvilinear cutoff luminaire utilizing high intensity discharge lamps. The housings are one-piece, diecast aluminum and mount directly to a pole, mast arm or wall without the need of a separate support arm. The shallow, rounded form produces extremely low effective projected areas for superior wind loading capability. Luminaires accept nine interchangeable, rotatable precision segmented optical systems which provide high light levels, uniform illumination and sharp cutoff of glare and light trespass.

HOUSING: A one-piece diecast aluminum housing mounts directly to a pole, mast arm or wall without the need for a support arm. Luminaires with vertical lamp optics include a conical-shaped top housing extension.

LENS ASSEMBLY: A single-piece diecast aluminum lens frame hinges down from the housing and is secured by a concealed stainless steel hinge and hinge pin.

An optically clear, heat and impact resistant tempered flat glass lens (convex lens on vertical lamps and horizontal 750w and 875w PSMH) is mechanically secured with six retainers. The electrical and optical chambers are thoroughly sealed with a one-piece memory retentive hollow-core silicone gasket to prevent intrusion by rain, dust, and insects.

OPTICAL SYSTEMS: The segmented optical systems are manufactured from homogenous sheet aluminum which has been electrochemically brightened, anodized and sealed. The multifaceted arc image duplicating systems are designed to produce IES Types I (1), II (2XL-2XLV), III (3XL-3XLV), IV (4XL-4XLV), and V (5H-5V). With the 2XL, 3XL and 4XL luminaires, the reflector facets form a conical fan around the arc tube with each facet positioned to be precisely

tangent to the top of the arc tube.

For the CR25, a mogul base lampholder is glazed porcelain with a nickel plated screw shell. Position-oriented sockets are supplied standard to accept super metal halide lamps. All CR25 units feature lamp stabilizers. In CR20 units, lampholders for 250w metal halide lamps are mogul base. All other CR20 lampholders are medium base.

ELECTRICAL: All electrical components are UL recognized, factory tested, and mounted on a unitized plate with quick electrical disconnects. Each high power factor ballast is the separate component type capable of providing reliable lamp starting down to -20°F/-29°C.

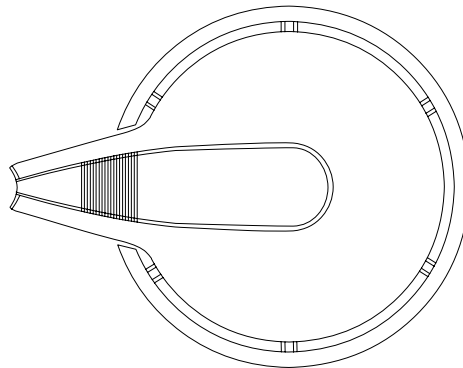
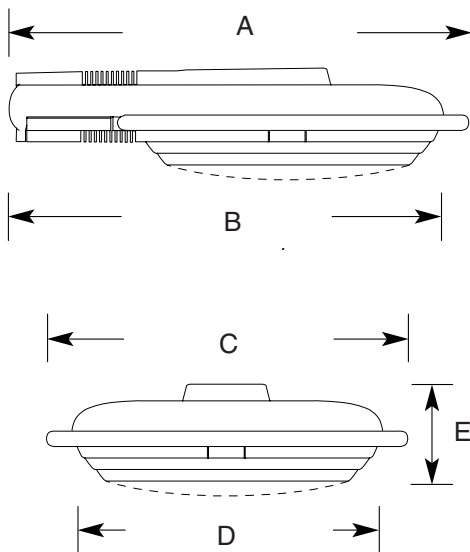
FINISH: Each standard color luminaire receives a fade and abrasion resistant, electrostatically applied, thermally cured, triglycidyl isocyanurate (TGIC) textured polyester powdercoat finish. Units are thoroughly cleaned and provided with a patented chromate acid pre-treatment. Standard colors include bronze (BRP), black (BLP), white (WP), and natural aluminum (NP). Consult factory for specs on custom colors.

LABELS: All luminaires bear UL or CUL (where applicable) Wet Location labels.

FULL CUTOFF PERFORMANCE: Full cutoff performance means a luminaire distribution where zero candela intensity occurs at an angle of 90° above nadir. Additionally, the candela per 1000 lamp lumens does not numerically exceed 100 (10 percent) at a vertical angle of 80° above nadir. This applies to all lateral angles around the luminaire.

CUTOFF PERFORMANCE: Cutoff performance means a luminaire distribution where the candela per 1000 lamp lumens does not numerically exceed 25 (2.5 percent) at an angle at or above 90° above nadir, and 100 (10 percent) at a vertical angle of 80° above nadir. This applies to all lateral angles around the luminaire.

DIMENSIONS



		EPA		
CR20		Single	Twin	3-4 way
Flat Lens		.60 ft²	1.20 ft²	1.63 ft²
		.06 m²	.11 m²	.15 m²
Sag Lens		.62 ft²	1.25 ft²	1.70 ft²
		.06 m²	.12 m²	.16 m²
CR25				
Flat Lens		.85 ft²	1.70 ft²	2.3 ft²
		.08 m²	.16 m²	.21 m²
Sag Lens		1.10 ft²	2.20 ft²	3.1 ft²
		.10 m²	.20 m²	.29 m²

Size	A	B	C	D	E	Sag Glass Lens Drop
CR20	29 5/8"	28"	23 1/4"	20"	6 1/4"	3/4"
	75.25 cm	71.12 cm	59.05 cm	50.80 cm	15.87 cm	1.91 cm
CR25	37 5/8"	26 1/8"	28 1/2"	25 3/8"	6 5/8"	2 5/8"
	95.57 cm	91.76 cm	72.39 cm	64.45 cm	16.83 cm	6.67 cm

Gardco Lighting reserves the right to change materials or modify the design of its product without notification as part of the company's continuing product improvement program. The XL optical system is protected by U.S. patent number 5690422.

© Copyright Gardco Lighting 2001-2007. All Rights Reserved. International Copyright Secured.

A Genlyte Company

Gardco Lighting
1611 Clovis Barker Road
San Marcos, TX 78666

(800) 227-0758
(512) 753-1000
FAX: (512) 753-7855
www.sitelighting.com



79115-117/0607