

Notes:

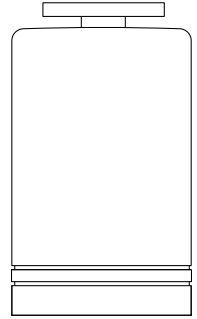
Job:

Type:

CYLINDERS

300 LINE OPEN DOWNLIGHT

GENERAL DESCRIPTION: The Gardco 300 LINE is a series of compact, high performance cylinder luminaires in a variety of styles and mounting configurations. The Open Downlight style uses high intensity discharge, incandescent or fluorescent lamps. Housings are diecast aluminum with twin architectural reveals located near the luminaire apertures. A choice of two (2) light control styles and three (3) mounting options is available. Luminaires are finished with a fade and abrasion resistant polyester powder coat offered in five standard colors.



CUTOFF PERFORMANCE: The 300 Line Open Downlight provides full cutoff performance.

ORDERING

PREFIX	MODEL	MOUNTING	LENGTH ^{1,2}	TRIMS	LAMP	VOLTAGE	FINISH	OPTIONS

Enter the order code into the appropriate box above. **Omit LENGTH with W or C mounting.** Note: Gardco reserves the right to refuse a configuration. Not all combinations and configurations are valid. Refer to notes below for exclusions and limitations. For questions or concerns, please consult the factory.

PREFIX

300

MODEL

O Open Downlight

MOUNTING

A¹ Arm Mount to Pole (2" x 5" arm)
C Ceiling
P² Pendant
W Wall Mount

TRIMS

R Reflector
B Black Baffle
(n/a with Fluorescent)

1. Indicate Arm Length, ex. "A6" is for a 6" arm length. Available in 6" incremental lengths from 6" minimum up to 48" maximum. Maximum arm length is 48". Standard length is 6", and will be provided if no length is indicated. If not mounted to top of pole, an additional handhole on pole is required to permit installation. Provide information as to size and type of pole.

2. Indicate Pendant Length, ex. "P18" is for a 18" pendant length. Stated length is the distance from the ceiling to the top of the luminaire and takes into account the mounting hardware. Available in 6" incremental lengths from 6" minimum up to 144" maximum. Maximum pendant length is 144". Standard length is 18", and will be provided if no length is indicated.

Luminaires cannot be field modified to change optics or lamp types.

LAMP/VOLTAGE CHART

LAMP/VOLTAGE CHART	Voltage:					
	120	208	240	277	347	480
<i>E17</i>						
50MH ²	•			•	•	
70MH ²	•	•	•	•	•	
100MH ²	•	•	•	•	•	•
50HPS	•			•	•	
70HPS	•	•	•	•	•	
100HPS	•	•	•	•	•	
<i>PAR38</i>						
P70MH ¹	•	•	•	•	•	
P100MH ¹	•	•	•	•	•	•
P70HPS ¹	•	•	•	•	•	
<i>Fluorescent</i> <i>(Type "R" Trim only)</i>						
26QF ³		UNIV			•	
32TRF ³		UNIV			•	
42TRF ³		UNIV			•	
<i>Incandescent</i>						
250PAR38 ¹	•					
300R40 ¹	•					

MH - Metal Halide HPS - High Pressure Sodium
 QF - Quad Fluorescent TRF - Triple Tube Fluorescent

Luminaires cannot be field modified to change optics or lamp types.

- Not available with reflector (R) trim.
- Must use open fixture rated E-17 Metal Halide lamps.
- Fluorescent luminaires feature electronic ballasts that accept 120V through 277V, 50hz to 60hz, input. Specify "UNIV" voltage for 120V through 277V.

FINISH

BRP Bronze Paint
BLP Black Paint
WP White Paint
NP Natural Aluminum Paint
BGP Beige Paint
VP Verde Green Paint

OC Optional Color Paint
*Specify RAL designation
 ex: OC-RAL7024.*

SC Special Color Paint
Specify. Must supply color chip.

OPTIONS

F Fusing
PCB Button Type Photocontrol *(Contact factory for availability)*
WS Wall Mounted Box for Surface Conduit

Gardco Lighting reserves the right to change materials or modify the design of its product without notification as part of the company's continuing product improvement program.

© Copyright Gardco Lighting 2001-2007. All Rights Reserved. International Copyright Secured.

A Genlyte Company

Gardco Lighting
 1611 Clovis Barker Road
 San Marcos, TX 78666

(800) 227-0758
 (512) 753-1000
 FAX: (512) 753-7855
 www.sitelighting.com



79115-105/0807

CYLINDERS

300 LINE OPEN DOWNLIGHT

SPECIFICATIONS

HOUSING: Housings are diecast aluminum in a single-piece cylindrical form of corrosion resistant alloy, 1/8" min. wall thickness. Units are 7.5" in diameter and 12" in height, nominal measurements.

MOUNTING:

Arm Mount to Pole (A): Luminaire mounts to pole with an extruded aluminum 2" x 5" arm. Available in 6" incremental lengths from 6" minimum up to 48" maximum. Maximum arm length is 48". Standard length is 6", and will be provided if no length is indicated. If not mounted to top of pole, an additional handhole on pole is required to permit installation. Provide information as to size and type of pole.

Ceiling (C): Provides for direct ceiling mount as shown.

Pendant Assembly (P): Swivel pendant assembly with locking set screws. Stated length is the distance from the ceiling to the top of the luminaire and takes into account the mounting hardware. Available in 6" incremental lengths from 6" minimum up to 144" maximum. Maximum pendant length is 144". Standard length is 18", and will be provided if no length is indicated. Swivel pendant can accommodate 35° sloped ceiling maximum.

Wall Bracket (W): Cast aluminum canopy with integrated aluminum arm secured to housing with (2) 5/16" bolts. Requires mounting to a structural member of the building.

LIGHT CONTROL (Trim):

Reflector (R): Reflectors are composed of spun Alzak® components, electro-polished, anodized and sealed. Reflectors for compact fluorescent lamps feature a dual stage construction.

Baffle (B): Step black baffles are die cast aluminum and finished with black TGIC powdercoat

ELECTRICAL: Internal ballast will be provided based on the specified lamp configuration. Standard fluorescent ballasts are solid state. Fluorescent units have a starting temperature of 0°F (-18°C).

LAMPHOLDER: Pulse rated medium base lampholders are glazed porcelain with nickel-plated screw shell. Fluorescent lampholders are high temperature thermoplastic (PBT) with brass alloy contacts.

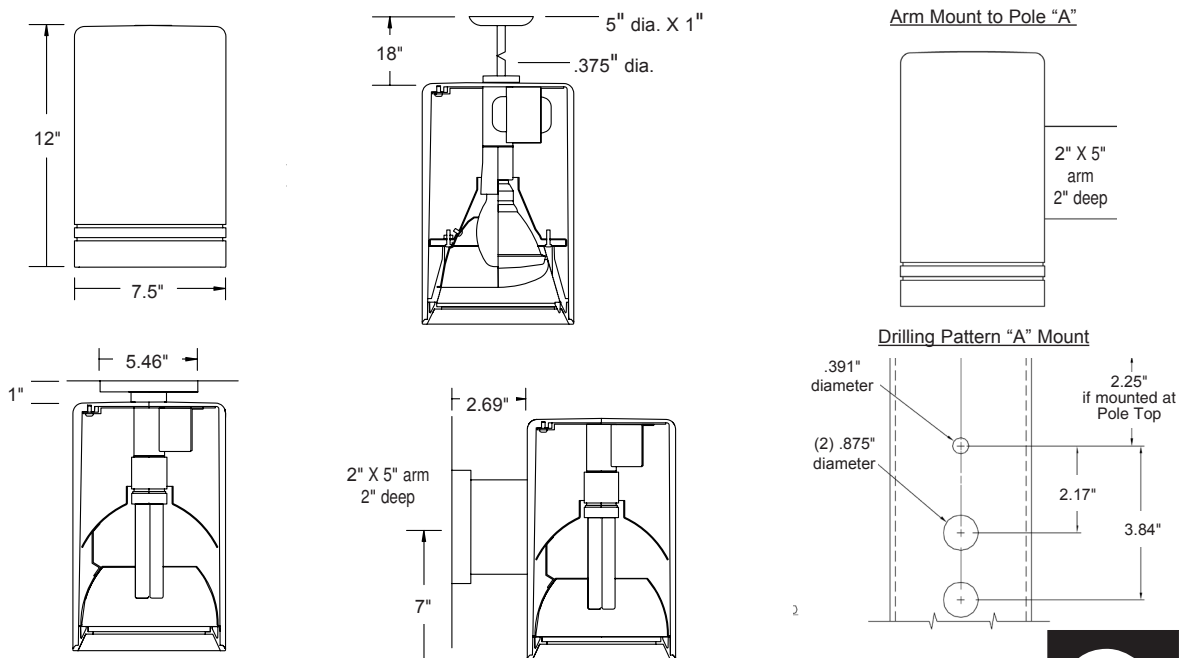
FINISH: Each luminaire receives a fade and abrasion resistant, electrostatically applied, thermally cured, textured TGIC polyester powder coat finish.

LABELS: All luminaires bear UL or CUL (where applicable) Wet Location labels.

FULL CUTOFF PERFORMANCE: Full cutoff performance means a luminaire distribution where zero candela intensity occurs at an angle of 90° above nadir. Additionally, the candela per 1000 lamp lumens does not numerically exceed 100 (10 percent) at a vertical angle of 80° above nadir. This applies to all lateral angles around the luminaire.

CUTOFF PERFORMANCE: Cutoff performance means a luminaire distribution where the candela per 1000 lamp lumens does not numerically exceed 25 (2.5 percent) at an angle at or above 90° above nadir, and 100 (10 percent) at a vertical angle of 80° above nadir. This applies to all lateral angles around the luminaire.

DIMENSIONS AND MOUNTING DETAIL



Gardco Lighting reserves the right to change materials or modify the design of its product without notification as part of the company's continuing product improvement program.

© Copyright Gardco Lighting 2001-2007. All Rights Reserved. International Copyright Secured.

A Genlyte Company

Gardco Lighting
1611 Clovis Barker Road
San Marcos, TX 78666

(800) 227-0758
(512) 753-1000
FAX: (512) 753-7855
www.sitelighting.com



79115-105/0807