

Notes:

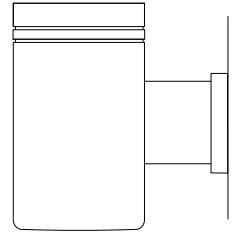
Job:

Type:

CYLINDERS

300 LINE ENCLOSED UPLIGHT

GENERAL DESCRIPTION: The Gardco 300 LINE is a series of compact, high performance cylinder luminaires in a variety of styles and mounting configurations. The Enclosed Uplight style uses high intensity discharge, or incandescent lamps. Housings are die cast aluminum with twin architectural reveals located near the luminaire apertures. Wall mounting with dual clear assembly lens is standard.



ORDERING

PREFIX	MODEL	MOUNTING	TRIMS	LAMP	VOLTAGE	FINISH	OPTIONS
<input type="text"/>	<input type="text"/>	<input type="text"/>	<input type="text"/>	<input type="text"/>	<input type="text"/>	<input type="text"/>	<input type="text"/>

Enter the order code into the appropriate box above. Note: Gardco reserves the right to refuse a configuration. Not all combinations and configurations are valid. Refer to notes below for exclusions and limitations. For questions or concerns, please consult the factory.

PREFIX

300

MODEL

U Enclosed Uplight

MOUNTING

W Wall

TRIMS

CL Clear Lens

LAMP/VOLTAGE CHART

LAMP/VOLTAGE CHART

Voltage:	120	208	240	277	347	480
<i>E17</i>						
50MH	•			•	•	
70MH	•	•	•	•	•	
100MH	•	•	•	•	•	•
50HPS	•			•	•	
70HPS	•	•	•	•	•	
100HPS	•	•	•	•		
<i>PAR38</i>						
P70MH	•	•	•	•	•	
P100MH	•	•	•	•	•	•
P70HPS	•	•	•	•	•	
<i>Incandescent</i>						
250PAR38	•					
300R40	•					

MH - Metal Halide HPS - High Pressure Sodium

Luminaires cannot be field modified to change optics or lamp types.

FINISH

BRP	Bronze Paint		
BLP	Black Paint		
WP	White Paint	OC	Optional Color Paint
NP	Natural Aluminum Paint		Specify RAL designation as ex: OC-RAL7024.
BGP	Beige Paint		
VP	Verde Green Paint	SC	Special Color Paint
			Specify. Must supply color chip.

OPTIONS

F	Fusing
PCB	Button Type Photocontrol
WS	Wall Mounted Box for Surface Conduit

Gardco Lighting reserves the right to change materials or modify the design of its product without notification as part of the company's continuing product improvement program. Solite is a Registered Trademark of AFG Industries

© Copyright Gardco Lighting 2001-2007. All Rights Reserved. International Copyright Secured.

A Genlyte Company

Gardco Lighting
1611 Clovis Barker Road
San Marcos, TX 78666

(800) 227-0758
(512) 753-1000
FAX: (512) 753-7855
www.sitelighting.com



79115-107/0807

CYLINDERS

300 LINE ENCLOSED UPLIGHT

SPECIFICATIONS

HOUSING: Housings are die cast aluminum in a single-piece cylindrical form of corrosion resistant alloy, 1/8" min. wall thickness. Units are 7.5" in diameter and 12" in height, nominal measurements.

MOUNTING:

Wall Bracket (W): Cast aluminum canopy with integrated aluminum arm secured to housing with (2) 5/16" bolts. Requires mounting to a structural member of the building.

LIGHT CONTROL (Trim):

Clear Dual Lens Assembly (CL): Clear lens trims include a dual lens assembly mounted within a die cast aluminum frame.

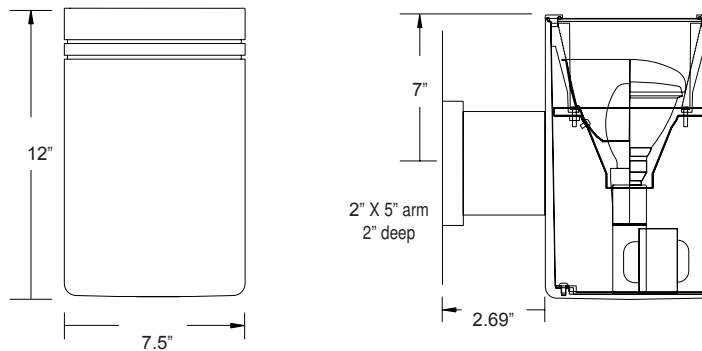
ELECTRICAL: Internal ballast will be provided based on the specified lamp configuration.

LAMPHOLDER: Pulse rated medium base lampholders are glazed porcelain with nickel-plated screw shell.

FINISH: Each luminaire receives a fade and abrasion resistant, electrostatically applied, thermally cured, textured TGIC polyester powder coat finish.

LABELS: All luminaires bear UL or CUL (where applicable) Wet Location labels.

DIMENSIONS AND MOUNTING DETAIL



Gardco Lighting reserves the right to change materials or modify the design of its product without notification as part of the company's continuing product improvement program. Solite is a Registered Trademark of AFG Industries

© Copyright Gardco Lighting 2001-2007. All Rights Reserved. International Copyright Secured.

A Genlyte Company

Gardco Lighting
1611 Clovis Barker Road
San Marcos, TX 78666

(800) 227-0758
(512) 753-1000
FAX: (512) 753-7855
www.sitelighting.com



79115-107/0807