

FASCIA WASH

BUILDING MOUNTED

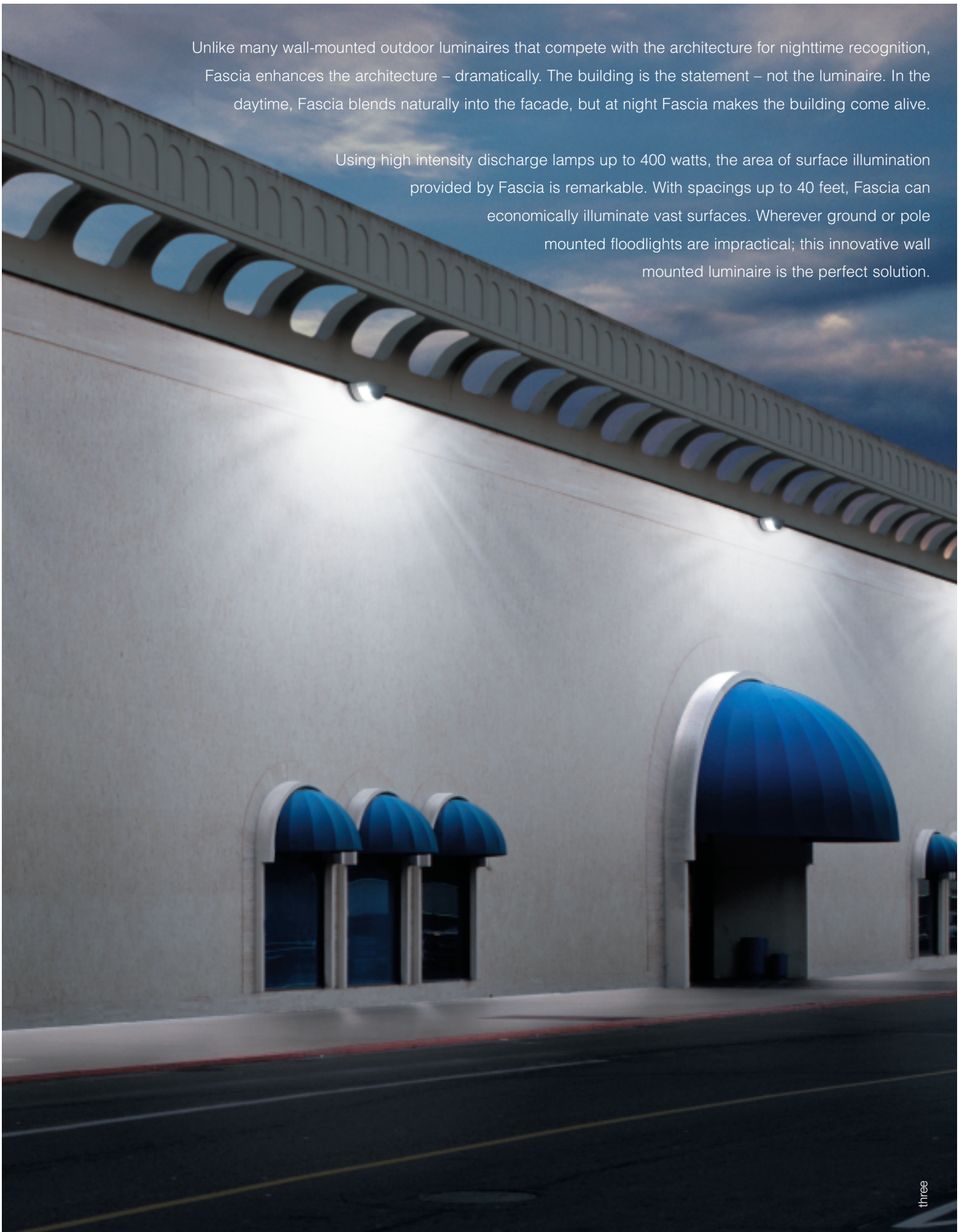


GARDCO
LIGHTING



Unlike many wall-mounted outdoor luminaires that compete with the architecture for nighttime recognition, Fascia enhances the architecture – dramatically. The building is the statement – not the luminaire. In the daytime, Fascia blends naturally into the facade, but at night Fascia makes the building come alive.

Using high intensity discharge lamps up to 400 watts, the area of surface illumination provided by Fascia is remarkable. With spacings up to 40 feet, Fascia can economically illuminate vast surfaces. Wherever ground or pole mounted floodlights are impractical; this innovative wall mounted luminaire is the perfect solution.



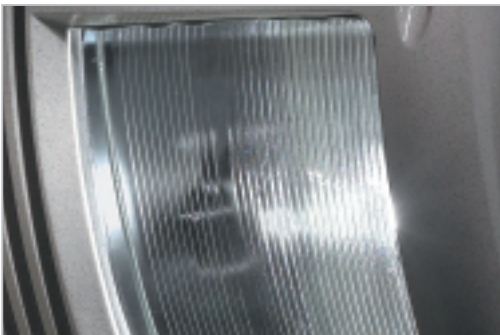
PERFORMANCE

Innovative Optical Concept



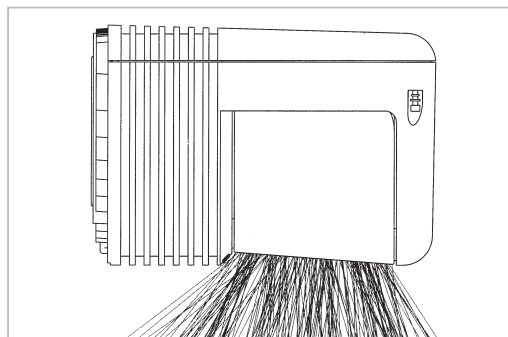
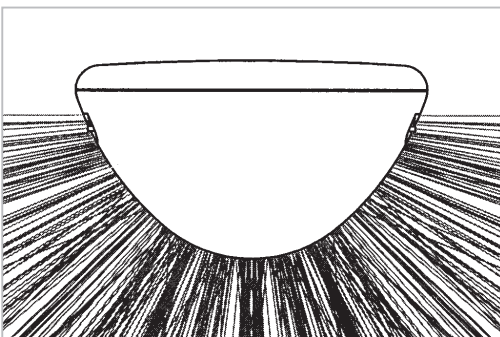
Illuminating vertical surfaces can transform outdoor spaces from dull, foreboding environments to safe, exciting spaces. Gardco's new Fascia luminaire makes this transformation possible with its new patent pending refractor optical system. For the first time, this dramatic effect can be achieved from a wall-mounted luminaire.

High Performance Refractor Design



Gardco, the industry leader in outdoor luminaire performance, achieves another breakthrough in optical system design. The Fascia optically clear glass refractor features prismatic elements precisely molded to refract light at critical angles providing dramatic illumination on the vertical surface.

Control of Light Trespass and Sky Pollution



Poorly positioned outdoor floodlights specified for illuminating walls often produce significant levels of uncontrolled stray light on adjacent properties. The stray uplight will also frequently contribute to sky pollution and inhibit stargazing. The Fascia optical system permits no significant light above 90° in either the lateral plane or any forward projecting plane assuring that light will be directed on the wall and not in neighbor's windows or to the night sky.

FEATURES

Simplifies Luminaire Placement



Frequently there are no good options for the placement of remote floodlights for building illumination. This is especially true when consistent lighting is desired along an extensive surface. Mounting the Fascia luminaires directly on the wall surface eliminates this problem.

Chameleon Form



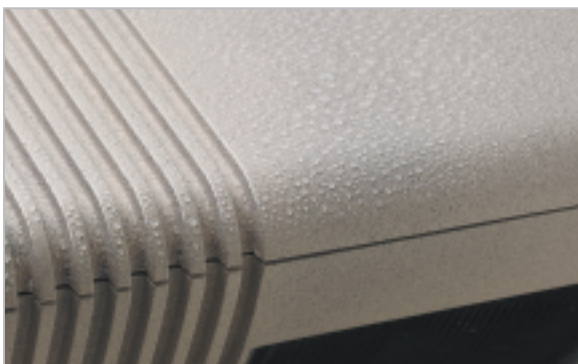
Fascia Wash is a remarkably inconspicuous daytime element. The high performance optical system permits extremely elevated mounting heights, which removes the luminaire from the normal field of view. Moreover, there are no sharp angles in the soft contemporary form to draw attention away from the architectural vision. Also, by using special finishes that mimic typical building surfaces (see finish section on page 7), the Fascia Wash luminaires will virtually disappear into the facade.

High Performance Lamps



Standard Fascia Wash metal halide luminaires accept pulse start lamps up to 400W. As compared with conventional metal halide systems, pulse start design provides increased light levels, greater system efficiency, better lumen maintenance, faster warm-up and restrike, better cold starting and longer lamp life.

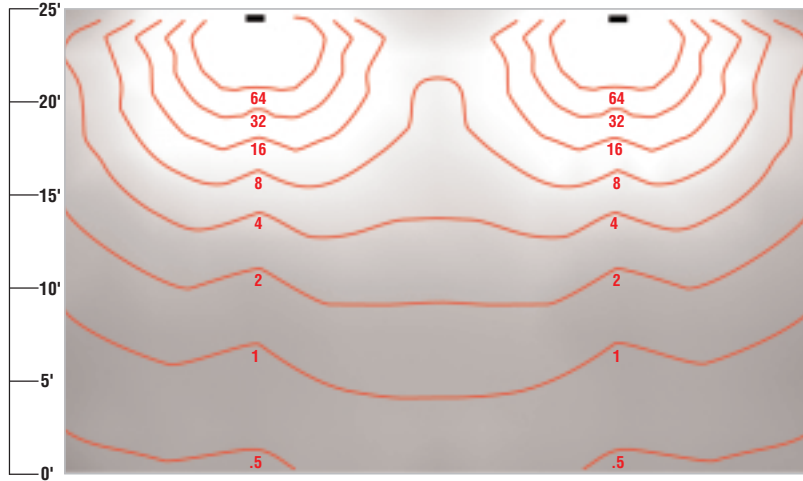
Rugged Construction



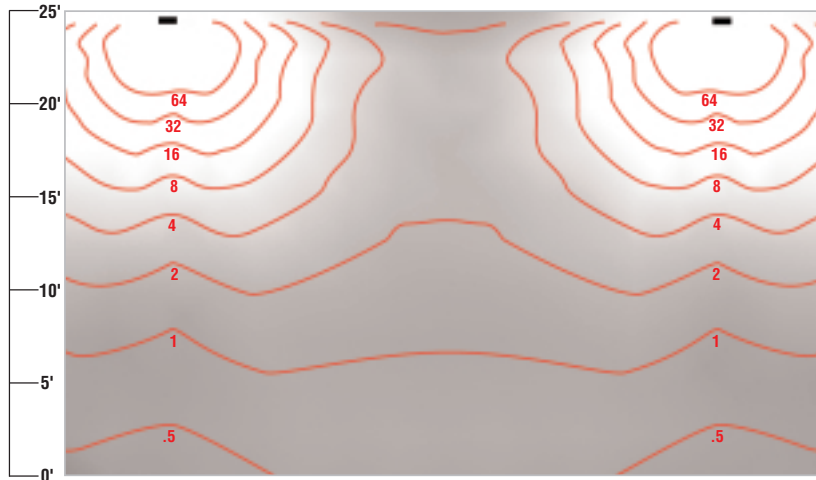
Gardco well understands that even wall mounted exterior luminaires must be designed to withstand rain, hail, snow, sleet, intense sunlight, insects and pollutants. Silicone seals and gaskets are used throughout to repel moisture and insects. Polyester powdercoat finishes staunchly resist corrosives and UV rays.

PHOTOMETRICS

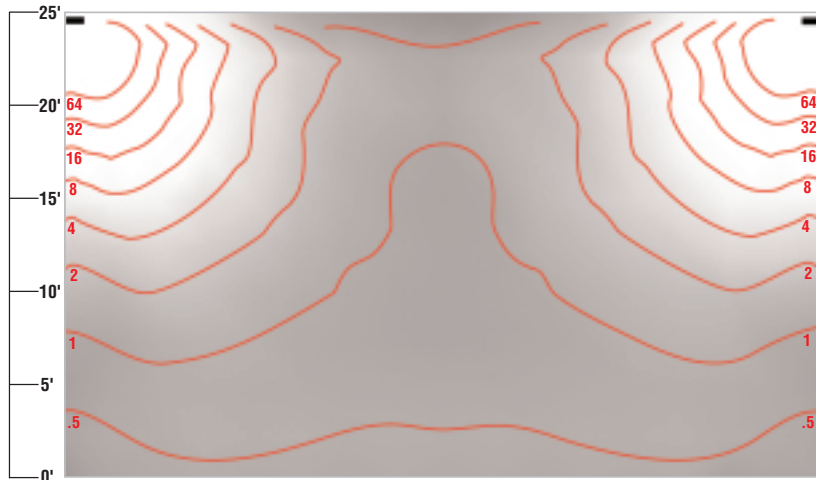
Initial Footcandle Values - 25' Mounting Height
20' Spacings 400W Pulse Start Metal Halide Lamps (44,000 Initial Lumens)



Initial Footcandle Values - 25' Mounting Height
30' Spacings 400W Pulse Start Metal Halide Lamps (44,000 Initial Lumens)



Initial Footcandle Values - 25' Mounting Height
40' Spacings 400W Pulse Start Metal Halide Lamps (44,000 Initial Lumens)



For complete IES photometric files, visit www.sitelighting.com or email apps@sitelighting.com.

SPECIFICATIONS

General:

Gardco Fascia Wash wall mounted, outdoor luminaires utilize high intensity discharge lamps. Housing and door frame are die cast aluminum. Precision refractor optical system provides high light levels on the wall.

Housings:

Housings are single-piece aluminum die castings. Integral cooling ribs on back and top section dissipate heat from electrical components extending ballast and lamp life. Memory retentive gasket seals housing with door frame to exclude moisture, dust, insects, and pollutants.

Door Frame:

Single piece die cast aluminum door frame is hinged closed and secured to housing with (2) captive stainless steel fasteners. Refractor lens is mechanically secured to door frame and permanently sealed with silicone gaskets and sealant.

Optical System:

Borosilicate glass refractor features prismatic elements precisely molded to refract light at critical angles providing required illumination on the vertical surface.

Electrical:

All luminaires utilize magnetic HID ballasts that are high power factor and designed for reliable lamp starting to -20° F. Standard metal halide systems are pulse start for increased system efficiency, light output, and lamp life. Mogul base pulse rated sockets are glazed porcelain with nickel plated screw shells.

Finish:

Each luminaire receives a fade and abrasion resistant electrostatically applied, thermally cured, (TGIC) textured polyester powder coat finish. Special colors may vary.

Labels:

All luminaires have IP65 rating and bear UL and CSA (or CUL) Wet Location labels.

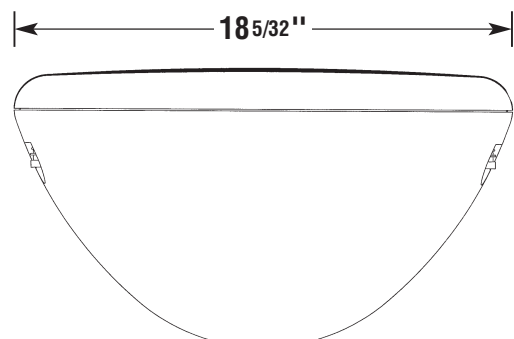
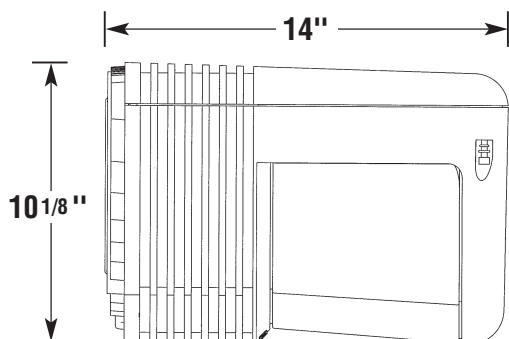
ORDERING

PREFIX	MOUNTING	DISTRIBUTION	WATTAGE	VOLTAGE	FINISH	OPTIONS
440	S Surface	W1 180° Wall Wash	250HPS	120	BRP Bronze Paint	F Fusing PCB Button Photocontrol SS Side Shield BL Bi-Level Switching* RTC Roof Top Conduit Feed
			400HPS	207	BLP Black Paint	
			350PSMH	240	BGP Beige Paint	
			400PSMH	277	WP White Paint	
				347	NP Natural Paint	
				480	LSP Light Sandstone Paint	
					DSP Dark Sandstone Paint	
					RBP Red Brick Paint	
					LGP Light Granite Paint	
					DGP Dark Granite Paint	
		OC Optional Color (See Color Selection Guide)				
		SC Special Color (Provide Color Chip)				

Example: **440S W1 400PSMH 277 BLP BP LB**

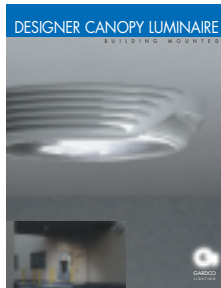
**Full or 50% light output. Connects to switch, time clock, energy management system, etc., by others.*

DIMENSIONS

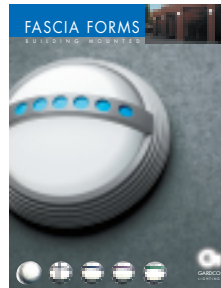


For information on other new Gardco luminaires:

Designer Canopy Luminaire



Fascia Forms



2661 Alvarado Street
San Leandro, CA 94577
800/227-0758
510/357-6900 in California
Fax: 510/357-3088
sitelighting.com

*© Gardco Copyright 2000
Genlyte Thomas Group LLC
All Rights Reserved.
International Copyright Secured.
79104-16/1200*