

Notes:

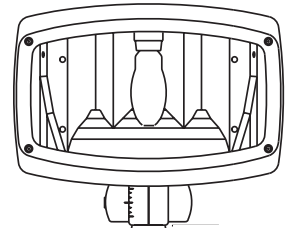
Job:

Type:

DESIGNER FLOOD

DF12 - 12" DIAMETER

GENERAL DESCRIPTION: The Gardco DF12 is a flood luminaire with a choice of (5) precision faceted optical systems. Each is designed to provide a specific distribution and sharp cutoff of stray light. The contemporary soft-form cast housing is available in a variety of finishes creating compatibility with most architectural and landscape elements. The high strength diecast aluminum knuckle features an integral splice compartment eliminating the need for a supplementary junction box and thereby permitting closer to grade mounting.



ORDERING

| PREFIX | MOUNTING | DISTRIBUTION | WATTAGE | VOLTAGE | FINISH | OPTIONS |
|----------------------|----------------------|----------------------|----------------------|----------------------|----------------------|----------------------|
| <input type="text"/> | <input type="text"/> | <input type="text"/> | <input type="text"/> | <input type="text"/> | <input type="text"/> | <input type="text"/> |

Enter the order code into the appropriate box above. Note: Gardco reserves the right to refuse a configuration. Not all combinations and configurations are valid. Refer to notes below for exclusions and limitations. For questions or concerns, please consult the factory.

PREFIX

DF12

MOUNTING

Omit Mounting Code if ordering floodlight only.

- W** Wall/Ceiling Canopy Mount. For mounting over (not to) a 4" recessed outlet box. When mounted on vertical surface, provides vertical aiming from straight down to 100° up from nadir. When mounted on a vertical surface, long axis of luminaire must be horizontal (+/-30°). Mounts directly to wall or ceiling. The surface structure must be suitable to support the luminaire. Only suitable for use on non-combustible surfaces.
- WMB** Wall Mount with Bullhorn. For mounting over (not to) a 4" recessed outlet box. Provides full axial 180° vertical and 358° rotational aiming range. Mounts direct to wall. Surface structure must be suitable to support the luminaire. When mounted in wet locations, luminaire must be mounted as shown in diagrams on opposite page. In damp or dry locations, arm assembly may be inverted.
- W90** Wall Arm Mount. For mounting over (not to) a 4" recessed outlet box. Provides full axial 180° vertical and 358° rotational aiming range. Mounts direct to wall. Surface structure must be suitable to support the luminaire. When mounted in wet locations, luminaire must be mounted as shown in diagrams on opposite page. In damp or dry locations, arm assembly may be inverted.
- ST** Stanchion Mount. 18" stanchion for in-ground concrete burial mounting.
- SM** Surface Mount Stanchion. For mounting to 18" stanchion pole assembly.

DISTRIBUTION

| | |
|------------|---|
| HFL | Horizontal Flood |
| VFL | Vertical Flood <i>Not available with 750PSMH or 750HPS.</i> |
| MFL | Medium Flood |
| HSP | Horizontal Spot <i>Not available with 750PSMH or 750HPS.</i> |
| NSP | Narrow Spot |

WATTAGE

| | | | |
|--------------|------------------------------|---------------------------|--|
| 250MH | 250PSMH | 250HPS | 1. M149 only. Requires MS750/ PS/BU-HOR/BT37 lamp. 2. Not available with HSP or VFL optics. 3. Requires BT28 / E28 lamp. |
| 400MH | 320PSMH³ | 400HPS | |
| | 350PSMH³ | 750HPS² | |
| | 400PSMH | | |
| | 750PSMH^{1,2} | | |

NOTE: All luminaires 400w and below include fusing standard. Fusing is NOT available with 750w types.

VOLTAGE

| |
|------------|
| 120 |
| 208 |
| 240 |
| 277 |
| 347 |
| 480 |

FINISH

| | | | |
|------------|------------------------|-----------|--|
| BRP | Bronze Paint | OC | Optional Color Paint <i>Specify RAL designation ex: OC-RAL7024.</i> |
| BLP | Black Paint | | |
| WP | White Paint | SC | Special Color Paint <i>Specify. Must supply color chip.</i> |
| NP | Natural Aluminum Paint | | |
| VP | Verde Green Paint | | |
| BGP | Beige Paint | | |

OPTIONS

| | | |
|--|-------------------------------|---|
| PCB | Button Type Photocontrol | <i>N/A w/750w</i> |
| BD* | Barn Doors | |
| CH* | Cutoff Hood | |
| <i>*Barn Doors (BD) and Cutoff Hoods (CH) are painted to match the luminaire. Either can be used concurrently with the Polycarbonate Shield (POLY)</i> | | |
| POLY | Polycarbonate Shield | <i>N/A w/750w. Should be replaced every 3-4 years.</i> |
| F | Fusing | <i>All luminaires 400w and below include fusing standard Fusing is NOT available with 750w types.</i> |
| ESB | Extended Splice Box | |
| LV | Internal Louvers | <i>MFL, HSP and NSP only.</i> |
| QS | Quartz Restrike | <i>N/A above 400w.</i> |
| QST | Quartz Restrike - Timed Delay | <i>N/A above 400w.</i> |
| WG | Wire Guard | <i>N/A with CH, BD or POLY options. Field installable.</i> |

| DF12 Splice Compartment Wire Capacity | | DF12 Pole Loading Data | | |
|---------------------------------------|---------------------|------------------------|--------------------------------------|-----------|
| Standard Units | Extended Splice Box | | EPA ft ² / m ² | |
| #12 AWG Conductors ⁶ | 5 | 9 | Single Luminaire on PTA Adapter | 2.6 / .24 |
| #10 AWG Conductors ⁶ | 3 | 7 | Twin Luminaires on PT2 Adapter | 3.7 / .34 |
| | | | Twin Luminaires on TAB Adapter | 5.6 / .52 |

6. Including ground

ADDITIONAL MOUNTING ACCESSORIES:

| | |
|------------|---|
| PTA | Pole top 2 3/8" tenon adapter |
| TAB | Twin arm bracket for use with ST or PTA |
| PT2 | Pole top 2 3/8" tenon adapter for twin back to back luminaire mounting. |

Gardco Lighting reserves the right to change materials or modify the design of its product without notification as part of the company's continuing product improvement program.

© Copyright Gardco Lighting 2001-2007. All Rights Reserved. International Copyright Secured.

A Genlyte Company

Gardco Lighting
1611 Clovis Barker Road,
San Marcos, TX 78666

(800) 227-0758
(512) 753-1000
FAX: (512) 753-7855
www.sitelighting.com



79115-83/0607

DESIGNER FLOOD

DF12 - 12" DIAMETER

SPECIFICATIONS

HOUSING: Single piece aluminum housing is cast in soft barrel form. One piece extruded gasket mates with door frame.

electrochemically brightened, anodized and sealed. The narrow spot reflector is spun Alzak® aluminum.

DOOR/LENS ASSEMBLY: Heat and impact resistant 3/16" (.48 cm) tempered glass lens and one piece silicone gasket are mechanically secured to door frame.

ELECTRICAL: Each high power factor ballast is the separate component magnetic type capable of providing reliable lamp starting to -20°F/-29°C.

KNUCKLE: Diecast aluminum knuckle features an integral splice compartment. Single captive 3/8" (.95 cm) stainless steel allen-head bolt and stainless steel nut securely lock aiming teeth in 5° increments. Opposite cover plate is removeable for access to splices. Knuckle assembly is fully gasketed.

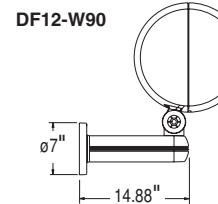
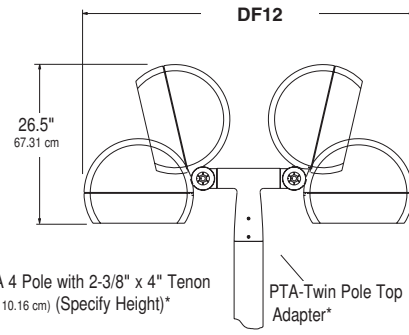
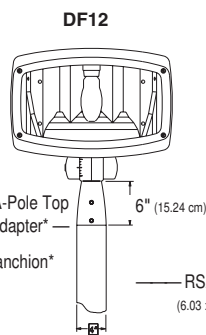
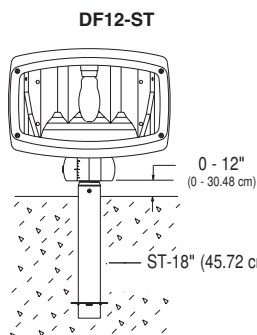
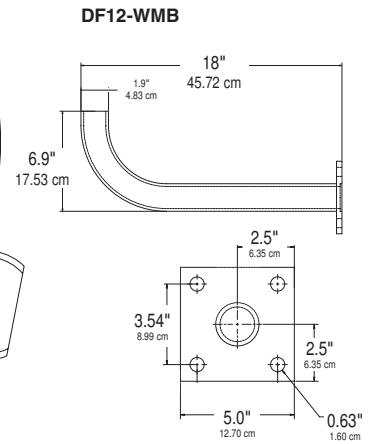
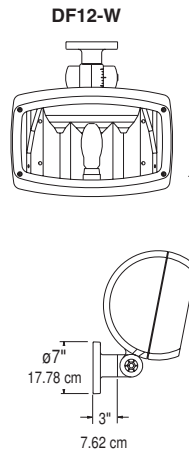
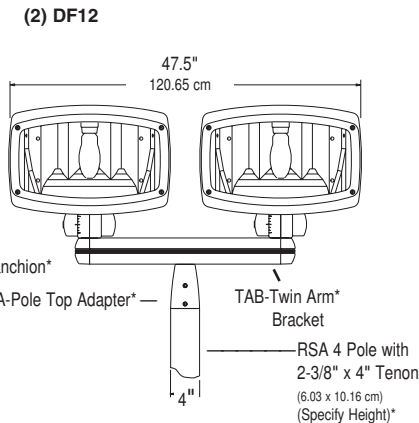
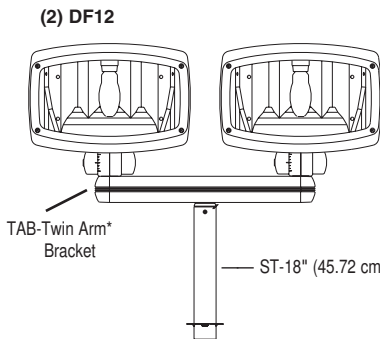
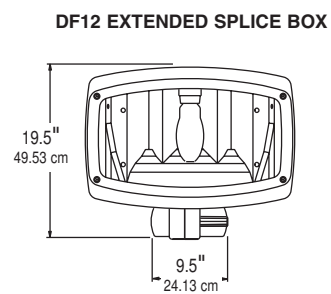
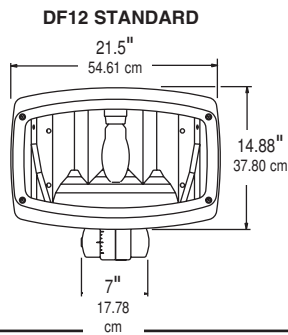
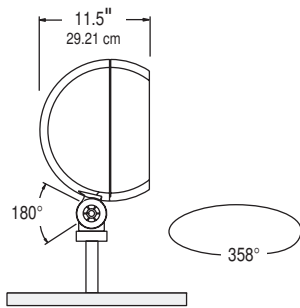
LAMPHOLDER: Pulse rated lampholder is glazed porcelain with nickle plated screw shell. All lampholders are mogul base.

FINISH: Each luminaire receives a fade and abrasion resistant, electrostatically applied, thermally cured and textured polyester powdercoat finish.

OPTICAL SYSTEM: The wide flood, vertical flood, medium flood and horizontal spot optical systems are homogenous sheet and extruded aluminum,

LABELS: All luminaires bear UL or CUL (where applicable) Wet Location labels.

DIMENSIONS AND MOUNTING DETAIL



Gardco Lighting reserves the right to change materials or modify the design of its product without notification as part of the company's continuing product improvement program.

© Copyright Gardco Lighting 2001-2007. All Rights Reserved. International Copyright Secured.

A Genlyte Company

Gardco Lighting
1611 Clovis Barker Road,
San Marcos, TX 78666

(800) 227-0758
(512) 753-1000
FAX: (512) 753-7855
www.sitelighting.com



79115-83/0607