

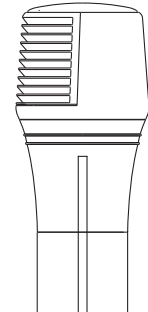
Notes:

Job:

Type:

LIGHTCOLUMNS 6

LU610 – UPLIGHT



GENERAL DESCRIPTION: Lightcolumns 6 Uplights are columnar outdoor luminaires which provide uplighting of trees, canopies, facades, signage, flags, etc. These products are offered in mounting heights to 12' and utilize high intensity discharge E-17 and R/PAR lamps to 175W. The wide spectrum of available finishes and colored twin glow rings provide extensive design opportunities and create the potential for luminaire compatibility with most commercial landscapes and architectural environments.

ORDERING

PREFIX	GLOWRINGS	HEIGHT	LAMP	VOLTAGE	FINISH	OPTIONS
<input type="text"/>	<input type="text"/>	<input type="text"/>	<input type="text"/>	<input type="text"/>	<input type="text"/>	<input type="text"/>

Enter the order code into the appropriate box above. Note: Gardco reserves the right to refuse a configuration. Not all combinations and configurations are valid. Refer to notes below for exclusions and limitations. For questions or concerns, please consult the factory.

PREFIX

LU610

GLOWRINGS

C Clear
Y Yellow
G Green
R Red
X Opaque (Non-Glow)

HEIGHT

36"
 42"
 66"
 84"
 102"
 120"
 144"

LAMP

50MH P70MH
 70MH P100MH
 100MH
 150MH P70HPS
 175MH

50HPS
 70HPS
 100HPS
 150HPS

MH Metal Halide
 HPS High Pressure Sodium

MH/HPS units use E-17 Lamps
 "P" units use PAR38 Lamps

NOTE: All lamps are medium base and must be ordered separately

VOLTAGE

120
 277

FINISH

BRP Bronze Paint
BLP Black Paint
WP White Paint
NP Natural Aluminum Paint
OC Optional Color Paint
 Specify RAL designation as shown
 ex: OC-RAL7024
SC Special Color Paint
 Specify: Must supply color chip

OPTIONS

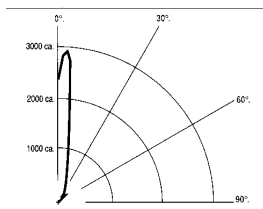
LF In-Line Fusing

UPLIGHT DISTRIBUTIONS

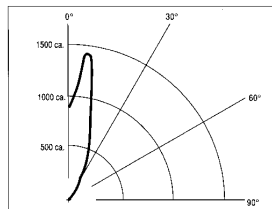
Lamp Factor Table

50W HPS	.29	150W HPS	1.14	100W MH	.56
70W HPS	.46	50W MH	.24	175W MH	1.00
100W HPS	.68	70W MH	.36		

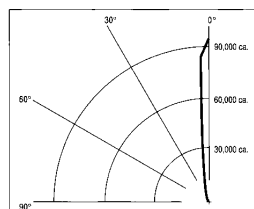
All upright candlepower curves are based on 0° aiming.
 At extreme angles, louvers may interfere with distribution.



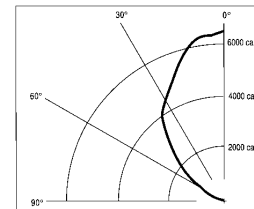
175W Metal Halide E-17
 Socket Set to Spot Position



175W Metal Halide E-17
 Socket Set Narrow Flood Position



175 W Metal Halide R-40 Spot Lamp



175 W Metal Halide R-40 Flood Lamp

Gardco Lighting reserves the right to change materials or modify the design of its product without notification as part of the company's continuing product improvement program.

© Copyright Gardco Lighting 2001-2005. All Rights Reserved. International Copyright Secured.

A Genlyte Company

Gardco Lighting
 2661 Alvarado Street
 San Leandro, CA 94577

800/227-0758
 510/357-6900 in California
 Fax: 510/357-3088
www.sitelighting.com

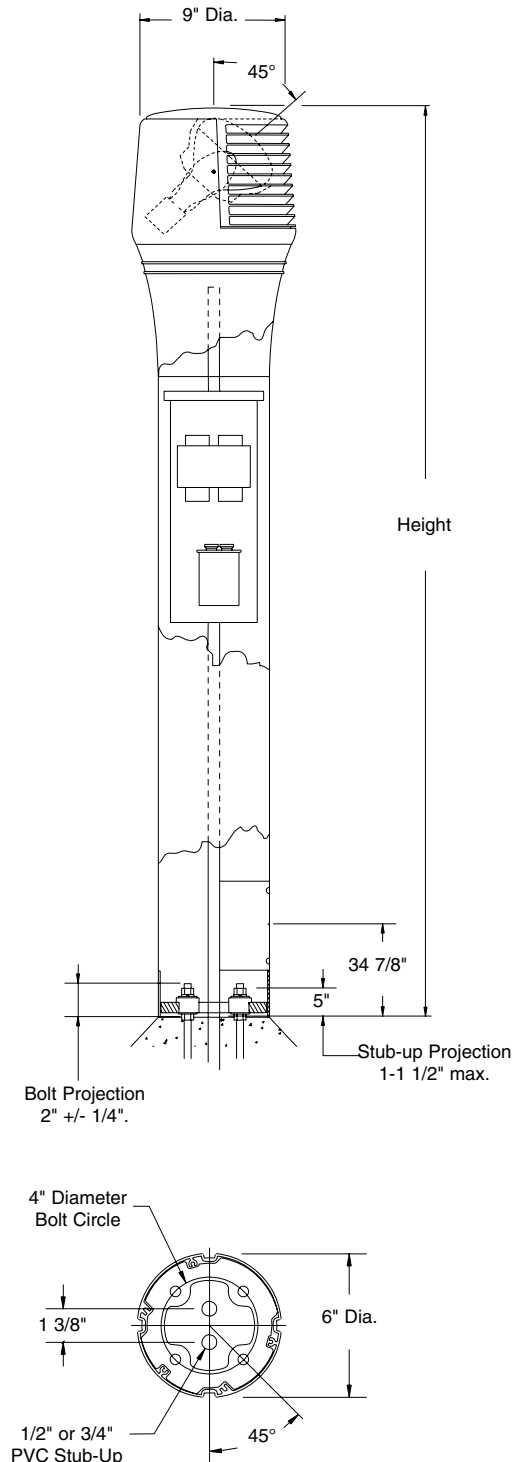


79115-87/0604

LIGHTCOLUMNS 6

LU610 – UPLIGHT

DIMENSIONS



SPECIFICATIONS

GENERAL: Each LU610 luminaire is a columnar uplight utilizing 50W through 175W high intensity discharge lamps. Units consist of diecast aluminum top housings mounted on 6" diameter extruded columns. Luminaires are sealed and gasketed preventing intrusion of moisture, dirt, insects, and pollutants. Mounting heights are available to 12". Twin glow rings are offered in four (4) colors and are illuminated by the primary source.

TOP HOUSING: Upper housing is diecast aluminum and secured with four (4) stainless steel allen head screws. Top lens is clear molded tempered glass. Inner pyrex lens is mechanically protected by diecast louvers.

Columnar housing Lower housing is 6063-T6 extruded aluminum. Internal channel secures ballast assembly. Cast aluminum base is internally welded to housing. Diecast aluminum handhole cover is gasketed and mounts flush with column.

OPTICAL SYSTEMS: E-17 lamp units feature specular Alzak® reflector and two position socket providing flood or narrow flood distribution. Reflector lamp units accommodate all R-40 and PAR-38 type HID lamps to 175W. All products feature 40° vertical and 358° horizontal uplighting aiming. Louvers conceal source to 90° irrespective of aiming angle.

ELECTRICAL: Medium base pulse rated lamp socket is glazed porcelain with nickel plated screw shell and center contact.

Ballast is mounted on unitized tray and prewired with quick electrical disconnects to the socket assembly. Entire ballast assembly is secured within the column housing.

Each high power factor ballast is the separate component type, capable of providing reliable lamp starting down to -20° F. Component-to-component wiring within the luminaire will carry no more than 80% of rated current and is listed by UL for use at 600 VAC at 150°C or higher. Plug disconnects are listed by UL for use at 600 VAC, 15A or higher.

ANCHORAGE: Cast base provides for direct mounting to the foundation with four (4) 3/8" x 8" x 1 1/2" anchor bolts on a 4" bolt circle. Double nut mounting facilitates product leveling.

FINISH: Lightcolumns are finished with a fade and abrasion resistant textured TGIC powder coat. Consult factory for optional or special colors.

LABELS: All fixtures bear UL or CUL (where applicable) Wet Location labels.

Gardco Lighting reserves the right to change materials or modify the design of its product without notification as part of the company's continuing product improvement program.

© Copyright Gardco Lighting 2001-2005. All Rights Reserved. International Copyright Secured.

A Genlyte Company

Gardco Lighting
2661 Alvarado Street
San Leandro, CA 94577

800/227-0758
510/357-6900 in California
Fax: 510/357-3088
www.sitelighting.com



79115-87/0505