

Notes:

Job:
Type:

MINIRAY

M12 SERIES



GENERAL DESCRIPTION: The Miniray from Gardco Lighting is a shallow, surface mounted outdoor luminaire with remarkable versatility. The clean simple dome hides naturally in landscapes and on building surfaces. Ground mounted units effectively illuminate signage, building surfaces or trees. Wall mounted, it can graze walls, upright canopies or downlight small areas. Canopy mounted Mantarays provide excellent wall washing. Because diecast housings are available in either aluminum or brass, these luminaires resist corrosion in the harshest environments even when mounted at grade. Both the horizontal flood and narrow flood distributions provide exceptional control of the diminutive "T" metal halide and MR16 lamps and produce extraordinarily effective distributions.

ORDERING

PREFIX	WALL TYPE	DISTRIBUTION	WATTAGE	VOLTAGE	FINISH	OPTIONS
<input type="text"/>	<input type="text"/>	<input type="text"/>	<input type="text"/>	<input type="text"/>	<input type="text"/>	<input type="text"/>

Enter the order code into the appropriate box above. Note: Gardco reserves the right to refuse a configuration. Not all combinations and configurations are valid. Refer to notes below for exclusions and limitations. For questions or concerns, please consult the factory.

PREFIX

- M12A** Aluminum Housing
- M12B** Brass Housing

WALL TYPE

- S** Surface Mount
- G** Ground Mount

DISTRIBUTION

- HFL** Horizontal Flood - T39 MH only
- NFL** Narrow Flood - T39 MH only
- MR** Use if specifying MR16 Lamp
Relies on MR16 lamp for beam spread

WATTAGE

- T39MH** 39w Metal Halide
G8.5 Base only, Normal Power Factor only. Lamp supplied with luminaire
- MR16** 71w maximum, 51w maximum for Ceiling Mount

VOLTAGE

- 120**
- 277**

FINISH

- BRP** Bronze Paint
- BLP** Black Paint
- WP** White Paint
- NP** Natural Aluminum Paint
- BGP** Beige Paint
- VP** Verde Green Paint
- OC** Optional Color Paint
*Specify RAL designation
ex: OC-RAL7024*
- SC** Special Color Paint
Specify. Must supply color chip
- UNP** Unpainted
M15B - Brass only

OPTIONS

- F** Fusing *HID only*
- LG** Louver Guard

Gardco Lighting reserves the right to change materials or modify the design of its product without notification as part of the company's continuing product improvement program.

© Copyright Gardco Lighting 2001-2004. All Rights Reserved. International Copyright Secured.

A Genlyte Company

Gardco Lighting
2661 Alvarado Street
San Leandro, CA 94577

800/227-0758
510/357-6900 in California
Fax: 510/357-3088
www.sitelighting.com



79115-122/0604

MINIRAY

M12 SERIES

SPECIFICATIONS

GENERAL: Gardco Miniray outdoor luminaires utilize compact metal halide and MR16 lamps and are suitable for wall mounting, ceiling mounting or ground mounting. Housing and mounting base are diecast aluminum or brass. HID optical systems provide either a narrow flood or a horizontal flood distribution.

HOUSINGS: Housings are single-piece aluminum or brass diecastings in the form of a shallow dome. Optically clear, borosilicate glass lens is mechanically secured in housing and gasketed. Housing is secured to mounting base with four (4) stainless steel slotted fasteners and sealed with memory retentive gasket to exclude moisture, dust, pollutants, and insects from optical and electrical systems.

MOUNTING: Surface units (S) mount directly to building surface over recessed j-box or conduit feed. Ground mount (G) units include polycarbonate and PVC mounting kit designed to secure Sonotube™ (by others) in direct burial in soil or concrete.

OPTICAL SYSTEMS: Reflectors are composed of specular extruded or formed aluminum faceted components. Reflector elements are designed to provide either a horizontal flood or narrow flood distribution. Units may be rotated 360° and provide vertical aiming to 90°. Optical systems are designed to accept T-4.5 metal halide lamps with a G-8.5 bi-pin base and MR16 lamps.

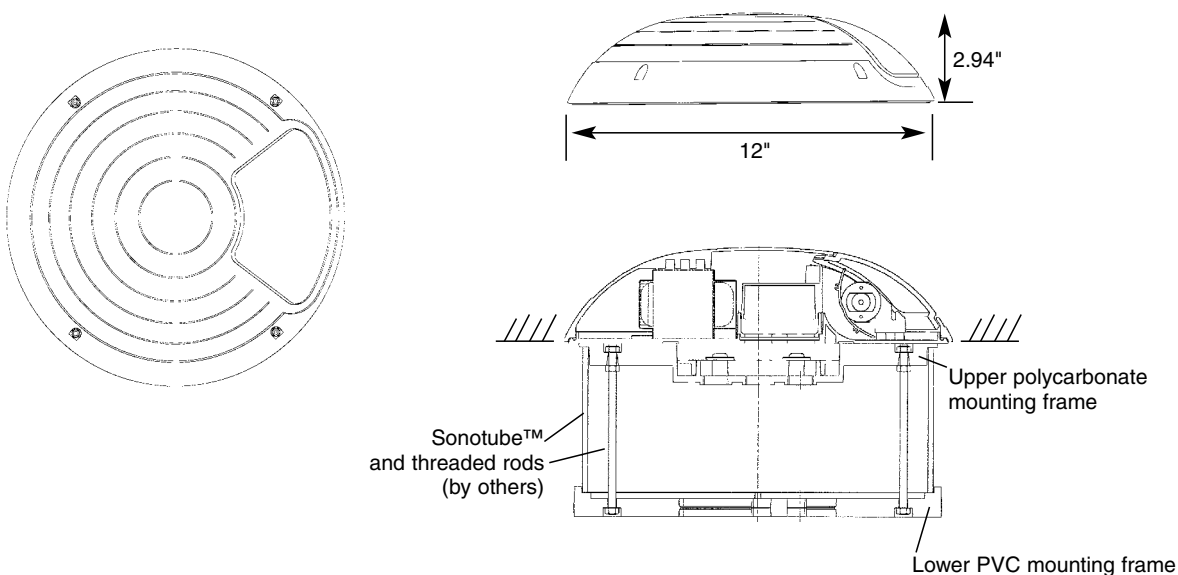
ELECTRICAL: Metal Halide luminaires utilize magnetic ballasts that are normal power factor and designed for reliable lamp starting to -20°F. G-8.5 bi-pin sockets are glazed porcelain with nickel plated contacts. MR16 luminaires utilize electronic transformers capable of supplying power to 20 watt through 71 watt MR16, 12 volt halogen lamps.

FINISH: Each luminaire receives a fade and abrasion resistant electrostatically applied, thermally cured, (TGIC) polyester powdercoat finish.

LABELS: All luminaires bear UL or CUL (where applicable) Wet Location labels.

Patent Pending

DIMENSIONS



Gardco Lighting reserves the right to change materials or modify the design of its product without notification as part of the company's continuing product improvement program.

© Copyright Gardco Lighting 2001-2004. All Rights Reserved. International Copyright Secured.

A Genlyte Company

Gardco Lighting
2661 Alvarado Street
San Leandro, CA 94577

800/227-0758
510/357-6900 in California
Fax: 510/357-3088
www.sitelighting.com



79115-122/0604