

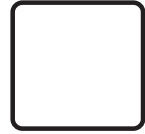
Notes:

Job:

Type:

POLES

5" / 6" STRAIGHT SQUARE STEEL



GENERAL DESCRIPTION: The Gardco/Emco Lighting SSS straight steel pole consists of a one-piece square fabricated steel lighting standard. The carbon steel base plate is secured to the shaft with a continuous circumferential weld providing excellent strength and integrity. The poles are finished with an electrostatically applied, thermally cured TGIC polyester powdercoat. All poles include anchor bolts, full base cover, hand hole, ground lug and top cap.

ORDERING

PREFIX	HEIGHT	SIZE	GAUGE	DRILLING	FINISH	OPTIONS
<input type="text"/>	<input type="text"/>	<input type="text"/>	<input type="text"/>	<input type="text"/>	<input type="text"/>	<input type="text"/>

Enter the order code into the appropriate box above. Note: Gardco reserves the right to refuse a configuration. Not all combinations and configurations are valid. Refer to notes below for exclusions and limitations. For questions or concerns, please consult the factory.

PREFIX

SSS

HEIGHT

25'
30'

SIZE

5
6

GAUGE

7
11

DRILLING

D1 1 Way
D2 2 Way
D3 3 Way
D4 4 Way

FINISH

T2 2 3/8" X 4" OD Tenon
T4 4" X 6" OD Tenon

FINISH

PP	Prime Painted	OC	Optional Color Paint <i>Specify RAL designation as shown. ex: OC-RAL7024</i>
BRP	Bronze Paint		
BLP	Black Paint		
WP	White Paint	SC	Special Color Paint <i>Specify. Must supply color chip</i>
NP	Natural Aluminum Paint		
GV	Galvanized (No Paint)		
FPGV	Finished Paint over Galvanized (specify color)		

OPTIONS

FES	Festoon Outlet	Side Mount Bullhorn Brackets
AHH	Additional Hand Hole <i>Indicate height above base and orientation to original hand hole</i>	GM-080* Single Side Mount Bullhorn Bracket <i>*Add "-19" for 1.9" OD or "24" for 2.4" OD. Refer to Accessory sheet 79415-26 for details</i>
CL	Coupling - Internal thread. <i>Indicate height above base, orientation to hand hole and size (1/2", 3/4", 1", 1 1/4", 1 1/2")</i>	

Refer to Steel Pole Accessories cutsheet 79415-26 for additional Floodlight and Bullhorn Brackets

POLE DATA

CATALOG NUMBER	POLE SIZE	MAXIMUM LUMINAIRE LOADING*					ANCHOR BOLT DATA**		
		100 MPH EPA-FT ²	90 MPH EPA-FT ²	80 MPH EPA-FT ²	BOLT CIRCLE (inches)	BOLT SIZE (inches)	MAX PROJ. (inches)		
SSS	25 5	11	3.7	6.3	9.8	10.0" - 12.0" slot	3/4 x 17 x 3	4.0	
SSS	25 5	7	9.5	13.3	18.5	10.0" - 12.0" slot	3/4 x 17 x 3	4.0	
SSS	30 5	11	-	2.0	4.7	10.0" - 12.0" slot	3/4 x 17 x 3	4.0	
SSS	30 5	7	3.9	6.7	10.7	10.0" - 12.0" slot	3/4 x 17 x 3	4.0	
SSS	35 5	7	-	2.5	5.9	10.0" - 12.0" slot	3/4 x 17 x 3	4.0	
SSS	35 6	7	4.2	7.6	12.4	11.0" - 13.0" slot	1 x 36 x 4	4.0	
SSS	40 6	7	-	3.0	7.2	11.0" - 13.0" slot	1 x 36 x 4	4.0	

*Warning: Additional wind loading, in terms of EPA, from banners, cameras, floodlights and other accessories attached to the pole, must be added to the luminaire(s) EPA before selecting the pole with the appropriate wind load capability.

**Factory supplied template must be used when setting anchor bolts. Gardco/Emco Lighting will not honor any claim for incorrect anchorage placement resulting from failure to use factory supplied templates.

Gardco Lighting/EMCO Lighting reserves the right to change materials or modify the design of its product without notification as part of the company's continuing product improvement program.
© Copyright Gardco Lighting 2001-2007. All Rights Reserved. International Copyright Secured.

A Genlyte Company

1611 Clovis Barker Road
San Marcos, TX 78666
(800) 227-0758
(512) 753-1000
FAX: (512) 753-7855
www.sitelighting.com



79415-18/1007

POLES 5" / 6" STRAIGHT SQUARE STEEL

SPECIFICATIONS

POLE SHAFT: The pole shaft is fabricated from a single-piece of 11 ga (.1196") or 7 ga (.1793") commercial carbon steel. The formed steel plate is longitudinally welded providing minimum yield strength of 46 KSI.

ANCHOR BASE: The pole anchor base is fabricated from A-36 structural quality carbon steel with a minimum yield strength of 36 KSI. The base plate telescopes the pole shaft and is circumferentially welded on both top and bottom.

ANCHOR BOLTS: Anchor bolts are fabricated from a commercial quality hot rolled carbon steel bar that meets or exceeds a minimum guaranteed yield strength of 50,000 psi. Bolts have an "L" bend on one end and threaded on the opposite end. Anchor bolts are galvanized a minimum of 12" on the threaded end. Four (4) properly sized bolts, each furnished with two (2) regular hex nuts and two (2) flat washers, are provided per pole, unless otherwise specified.

BASE COVER: A two-piece base cover completely conceals the entire base plate and anchorage.

HANDHOLE: The reinforced handhole has a nominal rectangular 2" X 4" inside opening in the pole shaft. Included is a cover plate with attachment screws. The handhole is located 12" above the base and 180° clockwise with respect to the luminaire arm when viewed from the top of the pole for one arm. For two arms the handhole is located directly under one arm.

POLE TOP CAP: Each pole assembly is provided with a removable pole top cap.

FINISH: Poles are available with a bronze, natural, white or black electrostatically applied, thermally cured TGIC polyester powdercoat finish.

STOCK POLES: Poles provided from stock under the Quick Ship program are drilled for four (4) luminaires at 90° with three (3) hole sets plugged.

DESIGN: The poles as charted are designed to withstand dead loads and predicted dynamic loads developed by variable wind speeds with an additional 30% gust factor under the following conditions:

The wind velocities are based on 10 mph increments from 80 mph through 100 mph. Poles to be located in areas of known abnormal conditions may require special consideration. For example: coastal areas and airports.

Poles are designed for ground mounted applications. Poles mounted on structures (such as buildings and bridges) may also necessitate special consideration requiring Gardco/Emco Lighting's recommendation.

Height correction factors and drag coefficients are applied to the entire structure. An appropriate safety factor is maintained based on the minimum yield strength of the material incorporated in the pole.

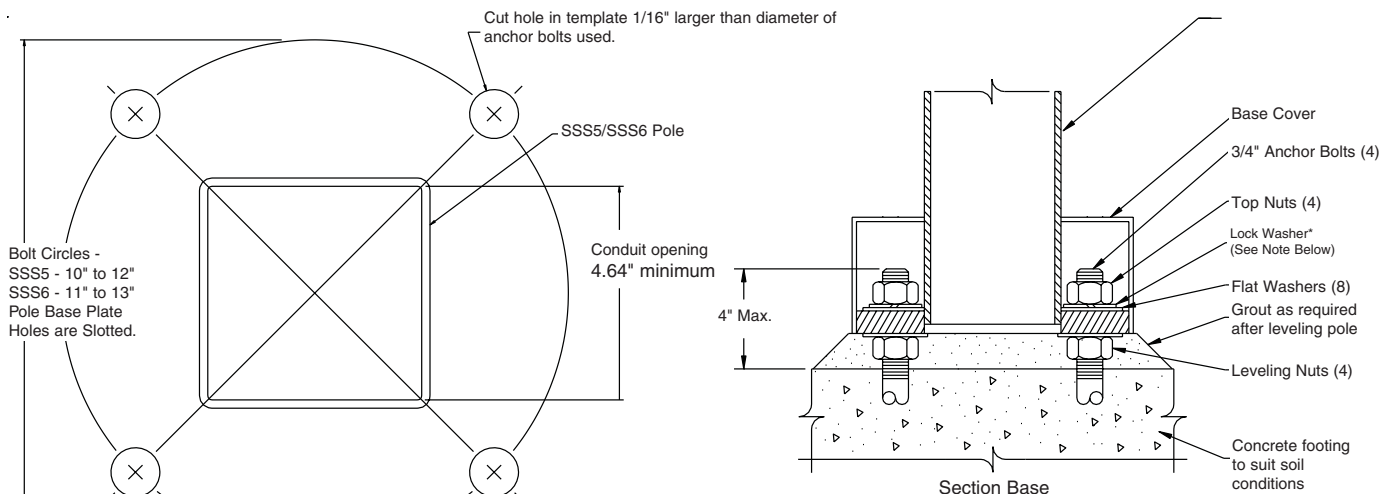
WARNING: This design information is intended as a general guideline only. The customer is solely responsible for proper selection of pole, luminaire, accessory and foundation under the given site conditions and intended usage. The addition of any items to the pole, in addition to the luminaire, will dramatically impact the EPA load on that pole. It is strongly recommended that a qualified professional be consulted to analyze the loads given the user's specific needs to ensure proper selection of the pole, luminaire, accessories, and foundation. Gardco/Emco Lighting and Genlyte Thomas Group, LLC assume no responsibility for such proper analysis or product selections. **Failure to insure proper site analysis, pole selection, loads and installation can result in pole failure, leading to serious injury or property damage.**

GENERAL INFORMATION: Mounting height is the vertical distance from the base of the pole standard to the center of the luminaire arm at the point of luminaire attachment.

Twin arms as charted are oriented at 180° with respect to each other. For applications of two (2) arms at 90° or other multiple arm applications, consult the factory.

NOTE: Factory supplied template must be used when setting anchor bolts. Gardco Lighting will not honor any claim for incorrect anchorage placement from failure to use factory supplied templates.

DIMENSIONS



*Anchor Bolt Lock Washers are not normally required and are not included in standard anchor bolt sets. They are available upon request at additional cost.

Gardco Lighting/EMCO Lighting reserves the right to change materials or modify the design of its product without notification as part of the company's continuing product improvement program.

© Copyright Gardco Lighting 2001-2007. All Rights Reserved. International Copyright Secured.

A Genlyte Company

1611 Clovis Barker Road
San Marcos, TX 78666
(800) 227-0758
(512) 753-1000
FAX: (512) 753-7855
www.sitelighting.com



79415-18/1007