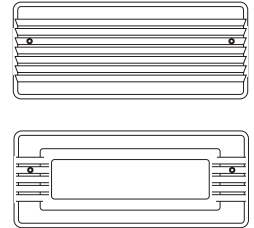


Notes:	Job: Type:
--------	---------------

94 LINE

940 RECESSED BRICKLIGHTS

The Gardco 940 brick lights are architecturally styled luminaires of minimal scale precisely constructed of die cast aluminum. The 940 was specifically designed to incorporate long-life compact fluorescent lamps and to be used in all types of wall construction. A field-convertible junction box further enhances its design flexibility. Self-compensating silicone gasketing excludes moisture, insects and contaminants, regardless of the wall surface texture. A choice of three (3) architecturally designed faceplates allows for a variety of applications.



ORDERING

PREFIX	WALL TYPE	LAMP	FACEPLATE	VOLTAGE	FINISH

Enter the order code into the appropriate box above. Note: Gardco reserves the right to refuse a configuration. Not all combinations and configurations are valid. Refer to notes below for exclusions and limitations. For questions or concerns, please consult the factory.

PREFIX	WALL TYPE	LAMP
--------	-----------	------

<p>940</p>	<p>U Universal <i>Suitable for all wall types including drywall, direct burial in insulation and concrete pour.</i></p> <p>C Concrete Pour <i>Suitable for concrete pour applications only.</i></p>	<p>U Type 7/9TF 120V only 13TRF 18TRF</p> <p>C Type INC 60w maximum, 120V only</p>
-------------------	---	--

NOTE: Back housings for concrete pour applications (types U and C) are available for pre-shipment. Contact factory for details.

*TF - Twin Tube Compact Fluorescent
TRF - Triple Tube Compact Fluorescent
INC - Incandescent*

FACEPLATES	VOLTAGE
------------	---------

<p>LV Louver</p> <p>PG Prismatic Glass</p> <p>DG Diffuse Glass</p>	<p>120</p> <p>277</p> <p>347</p>
---	---

FINISH

<p>BRP</p> <p>BLP</p> <p>WP</p> <p>NP</p> <p>OC</p> <p>SC</p>	<p>Bronze Paint</p> <p>Black Paint</p> <p>White Paint</p> <p>Natural Aluminum Paint</p> <p>Optional Color Paint <i>SpecifyRALdesignationex:OC-RAL7024</i></p> <p>Special Color Paint <i>Specify. Must supply color chip</i></p>
---	---



94 LINE

940 RECESSED BRICKLIGHTS

SPECIFICATIONS

GENERAL: The Gardco 940 brick lights are architecturally styled luminaires of minimal scale precisely constructed of die cast aluminum. The 940 was specifically designed to incorporate long-life compact fluorescent lamps and to be used in all types of wall construction. A field-convertible junction box further enhances its design flexibility. Self-compensating silicone gasketing excludes moisture, insects and contaminants, regardless of the wall surface texture. A choice of three (3) architecturally designed faceplates allows for a variety of applications.

FACEPLATE: All faceplates are constructed of one-piece die cast aluminum and are secured to the housing with two (2) recessed and captive hex head socket screws. Self-compensating single-piece silicone gasketing completely seals the luminaire and allows for varying wall thicknesses.

LOUVER: Die cast louvers span the entire length of the faceplate, providing for vandal resistance and glare control.

DIFFUSE GLASS: The faceplate includes a 3/16" (.48 cm) thick diffuse white opal flat tempered glass lens. The lens is internally sealed and mounted and provides a soft, uniform glow.

PRISMATIC GLASS: A 1/4" (.64cm) thick prismatic glass lens, internally sealed and mounted, refracts light forward and downward.

HOUSING: The housing is corrosion-resistant die cast aluminum.

J-BOX: The field convertible junction box is die cast aluminum. It is shipped factory-mounted to the back of housing. The box can be easily positioned on the bottom of the luminaire via two (2) phillips head screws. Each J-box includes three (3) threaded openings (one on each side and one on the bottom) that accommodate 3/4" (1.91 cm) conduit.

ELECTRICAL:

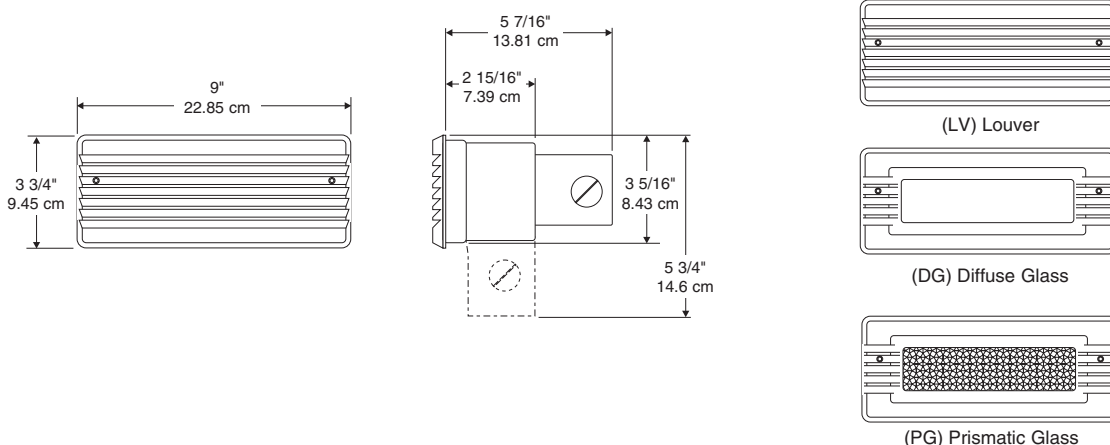
FLUORESCENT UNITS: High power factor ballast is provided standard. 940 luminaires accept 7/9W twin or 13W or 18W triple tube compact fluorescent lamps.

INCANDESCENT UNITS: Luminaires are provided with a medium base socket with a nickel plated screw shell. Each accepts up to a 60W T-10 lamp.

FINISH: Each standard color luminaire receives a fade and abrasion resistant, electrostatically applied, thermally cured, triglycidal isocyanurate (TGIC) textured polyester powdercoat finish. Standard colors include bronze (BRP), black (BLP), white (WP), and natural aluminum (NP). Consult factory for specifications on optional and custom colors.

LABELS: All luminaires bear UL or CUL (where applicable) Wet Location labels.

DIMENSIONS



Gardco Lighting reserves the right to change materials or modify the design of its product without notification as part of the company's continuing product improvement program.

© Copyright Gardco Lighting 2001-2007. All Rights Reserved. International Copyright Secured.

A Genlyte Company

Gardco Lighting
1611 Clovis Barker Road
San Marcos, TX 78666

(800) 227-0758
(512) 753-1000
FAX: (512) 753-7855
www.sitelighting.com



79115-98/0807