



INSTALLATION INSTRUCTIONS

IMPORTANT: Read carefully before installing fixture. Retain for future reference.

Epic/Pole Mounted
Fixtures
Sheet 1 of 4

10/18/05

IMI-659

General: Upon receipt of fixture thoroughly inspect for any freight damage, which should be brought to the attention of the delivery carrier. Compare the catalog description listed on the packing slip with the fixture label on the housing to assure you have received the correct merchandise.

Safety: This fixture must be wired in accordance with the national electrical code and applicable local codes and ordinance. Proper grounding is required to insure personal safety. Carefully observe grounding procedure under installation section. All work should be done by a qualified electrician.



WARNING: Risk of Electric Shock. Disconnect power at fuse or circuit breaker before installing or servicing.

ARM & FIXTURE INSTALLATION

Bishop Arm (SA6005-SA6008, SA6054-SA6057, SA6105-SA6108 & SA6154-SA6157)

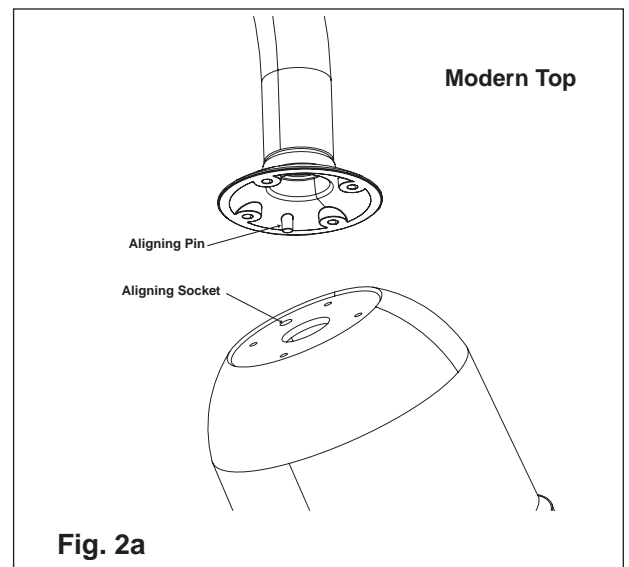
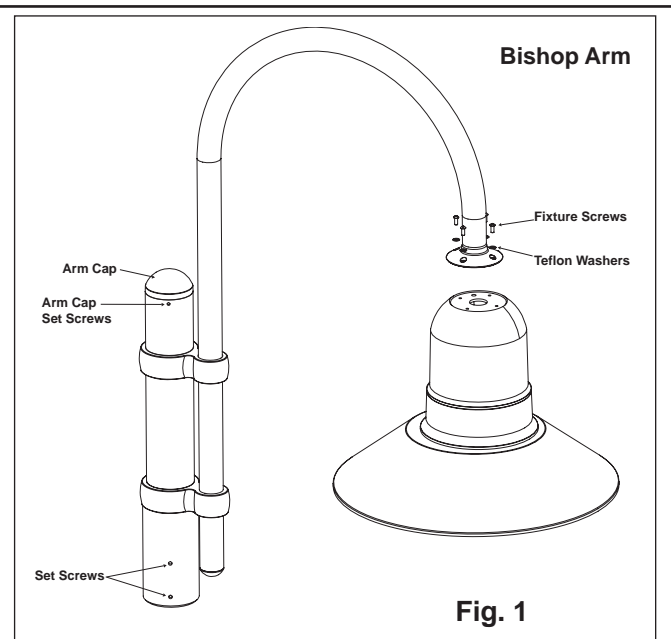
See Figure 1.

1. Secure arm onto pole and orient.
2. Tighten the six set screws located near bottom of arm to 150 in/lbs. to secure arm.
3. Loosen the three arm cap set screws and remove arm cap.
4. Pull fixture leads through arm to arm cap location.
5. Raise fixture to arm aligning locating pin and socket. See Figure 2.
6. Insert and tighten 4 fixture screws with Teflon washers, provided in polybag, to 80 in/lbs.
7. Connect fixture leads to service leads.
8. Resecure arm cap with arm cap set screws tightened to 50 in/lbs.

Traditional Arm (SA6009-SA6021 SA6058-SA6070, SA6109-SA6121 & SA6158-SA6170)

See Figure 3.

1. Slip arm onto pole and orient.
2. Tighten the six set screws located near bottom of arm to 150 in/lbs. to secure arm.
3. Loosen the three arm cap set screws and remove arm cap.
4. Pull fixture leads through arm to arm cap location.
5. Raise fixture to arm aligning locating pin and socket. See Figure 2.
6. Insert and tighten 4 fixture screws with Teflon washers, provided in polybag, to 80 in/lbs.
7. Connect fixture leads to service leads.
8. Resecure arm cap with arm cap set screws tightened to 50 in/lbs.



These instructions do not claim to cover all details or variations in the equipment, procedure, or process described, nor to provide directions for meeting every possible contingency during installation, operation or maintenance. When additional information is desired to satisfy a problem not covered sufficiently for user's purpose, please contact your nearest representative.



INSTALLATION INSTRUCTIONS

IMPORTANT: Read carefully before installing fixture. Retain for future reference.

Epic/Pole Mounted Fixtures Sheet 2 of 4

10/18/05

IMI-659

FIXTURE MAINTENANCE

A. Relamping

Horizontally lamped

1. Loosen two door screws.
2. Lower door to tethered resting position. See Figure 4.
3. Install suitable lamp. Consult re-lamp label and lamp instructions for details. Do not overtighten.
4. Raise door and secure with screws.

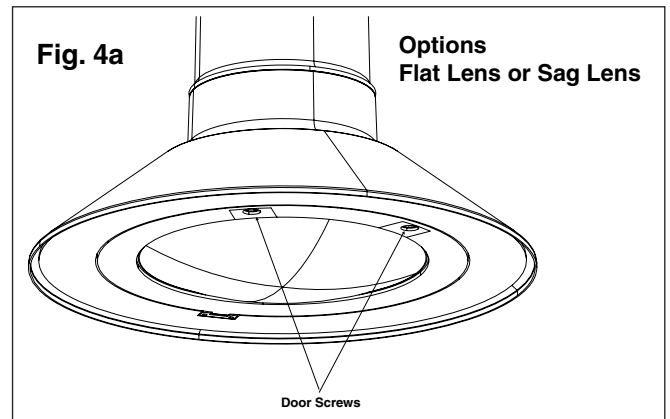
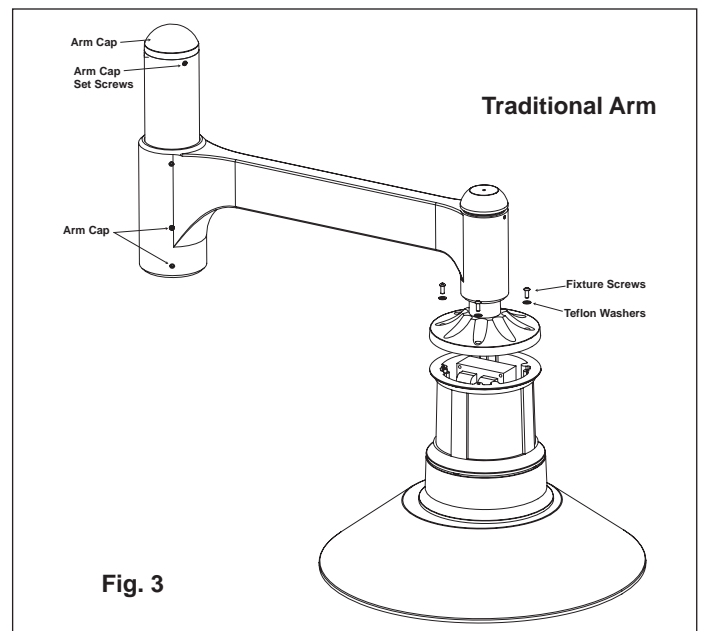
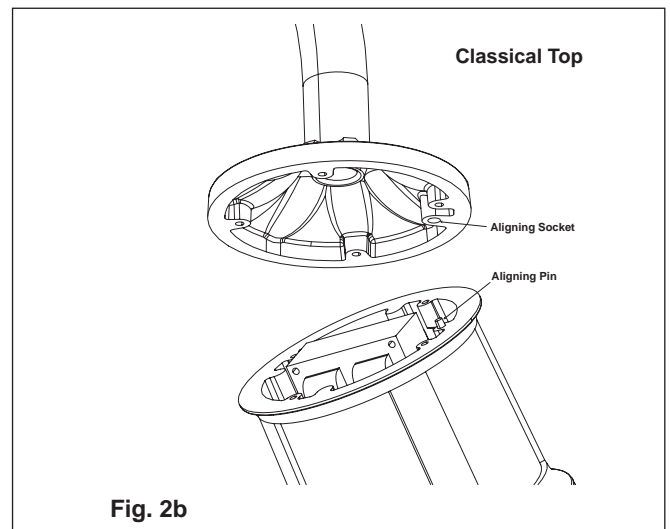
Vertically lamped

1. Loosen and remove ring retaining screws globe retaining ring and globe. Components are not tethered. See Figure 5.
2. Install suitable lamp. Consult re-lamp label and lamp instructions for details. Do not overtighten.
3. Reinstall ring retaining screws securing globe retaining ring and globe. In the case of type 3 refractive glass globe, use the mark on globe bottom for orientation.

B. Starter and Fuse Replacement (Where applicable)

Horizontally lamped

1. Loosen two door screws.
2. Lower door to tethered resting position. See Figure 4.
3. Loosen thumbscrew until rectangular washer can be rotated 90 degrees. See Figure 6.
4. Rotate reflector faceplate to release from screws using key hole slots.
5. Unplug optic quick-disconnect.
6. Remove two screws on ballast cover followed by ballast cover. See Figure 7.
7. For starter replacement, remove the plug-in starter from receptacle and replace.
For fuse replacement, unscrew fuse holder cap and replace fuse. Resecure fuse holder cap.
8. Resecure the ballast cover with the two screws.
9. Plug optic quick-disconnect and secure reflector by keyhole slots and thumbscrew.
10. Raise door and secure with screws.





INSTALLATION INSTRUCTIONS

IMPORTANT: Read carefully before installing fixture. Retain for future reference.

Epic/Pole Mounted
Fixtures
Sheet 3 of 4

10/18/05

IMI-659



WARNING: Risk of Electric Shock. Disconnect power at fuse or circuit breaker before installing or servicing.

Vertically lamped

1. Loosen and remove ring retaining screws globe retaining ring and globe. Components are not tethered. See Figure 5.
2. Remove two screws on ballast cover followed by ballast cover. See Figure 7.
3. Unplug optic quick-disconnect.
4. For starter replacement, remove the plug-in starter from receptacle and replace.
For fuse replacement, unscrew fuse holder cap and replace fuse. Resecure fuse holder cap.
5. Plug optic quick-disconnect.
6. Resecure the ballast cover with the two screws.
7. Reinstall ring retaining screws securing globe retaining ring and globe. In the case of type 3 refractive glass globe, use the mark on globe bottom for orientation.

C. Power Pack Replacement

Horizontally lamped

1. Loosen two door screws.
2. Lower door to tethered resting position. See Figure 4.
3. Loosen thumbscrew until rectangular washer can be rotated 90 degrees. See Figure 6.
4. Rotate reflector faceplate to release from screws using key hole slots.
5. Unplug optic quick-disconnect.
6. Remove two screws on ballast cover followed by ballast cover. See Figure 7.
7. Unplug service quick-disconnect.
8. Holding the handle, loosen the two screws holding the power pack to the fixture housing. See Figure 8.
9. Holding the handle, rotate the power pack until free and lower.
10. Holding replacement power pack by handle, raise onto screw heads and rotate.
11. Tighten the two screws while holding power pack in position.
12. Plug together the service quick-disconnect.
13. Resecure the ballast cover with the two screws.
14. Reconnect optic quick-disconnect and secure reflector by keyhole slots and thumbscrew.
15. Raise door and secure with screws.

Fig. 4b

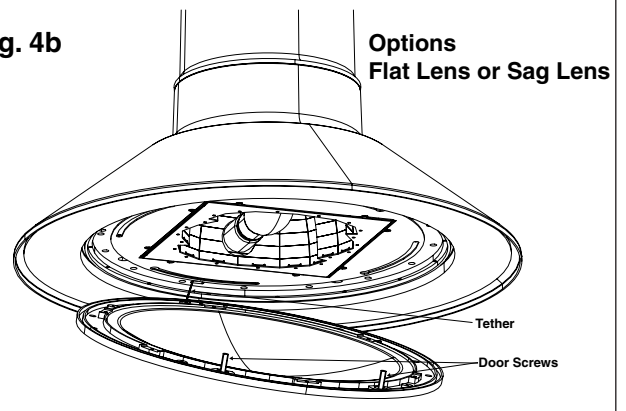


Fig. 5a

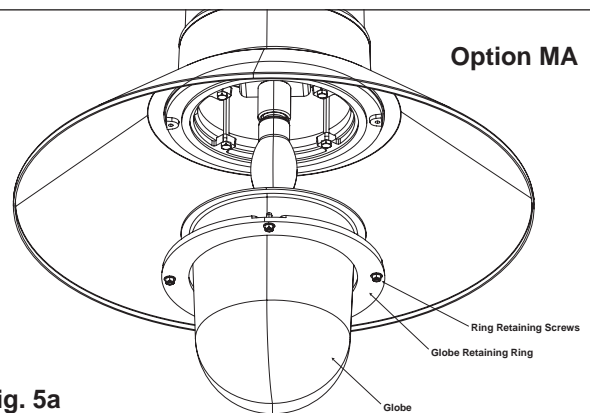
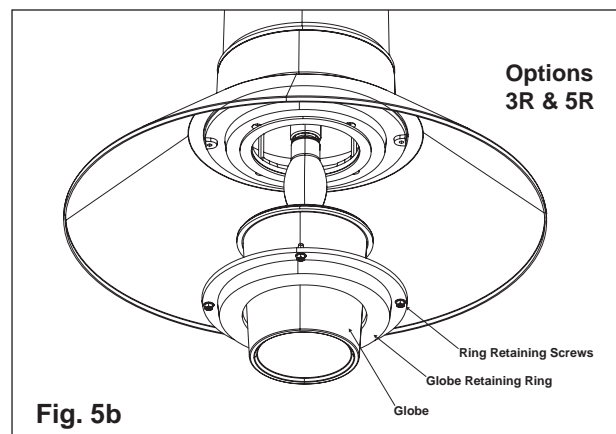


Fig. 5b



These instructions do not claim to cover all details or variations in the equipment, procedure, or process described, nor to provide directions for meeting every possible contingency during installation, operation or maintenance. When additional information is desired to satisfy a problem not covered sufficiently for user's purpose, please contact your nearest representative.



INSTALLATION INSTRUCTIONS

Epic/Pole Mounted
Fixtures
Sheet 4 of 4

10/18/05

IMI-659

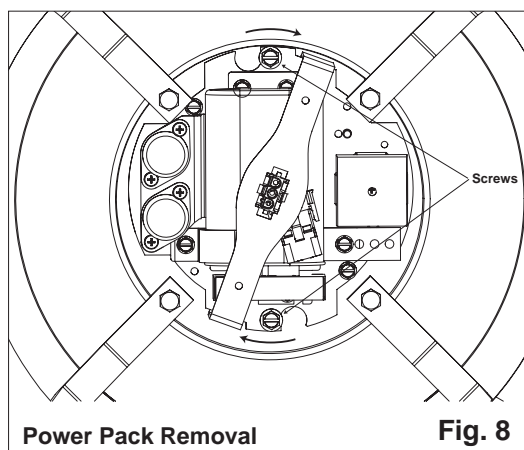
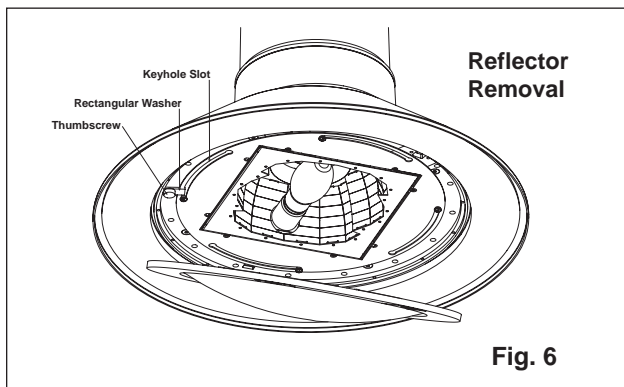
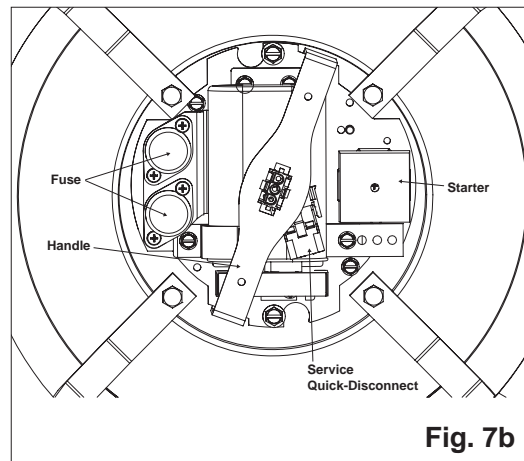
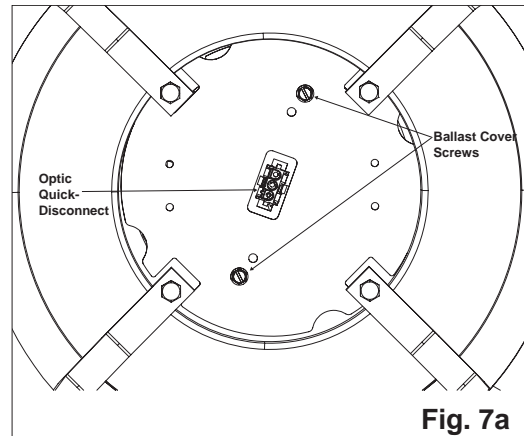
IMPORTANT: Read carefully before installing fixture. Retain for future reference.



WARNING: Risk of Electric Shock. Disconnect power at fuse or circuit breaker before installing or servicing.

Vertically lamped

1. Loosen and remove ring retaining screws globe retaining ring and globe. Components are not tethered. See Figure 5.
2. Remove two screws on ballast cover followed by ballast cover. See Figure 6.
3. Unplug optic quick-disconnect.
4. Unplug service quick-disconnect.
5. Loosen the two screws holding the power pack to the fixture housing. See Figure 7.
6. Holding the power pack by the handle, rotate the power pack until free and lower.
7. Holding replacement power pack by handle, raise onto screw heads and rotate.
8. Tighten the two screws while holding power pack in position.
9. Plug together the service quick-disconnect.
10. Plug together the optic quick-disconnect.
11. Resecure the ballast cover with the two screws.
12. Reinstall ring retaining screws securing globe retaining ring and globe. In the case of type 3 refractive glass globe, use the mark on globe bottom for orientation.



These instructions do not claim to cover all details or variations in the equipment, procedure, or process described, nor to provide directions for meeting every possible contingency during installation, operation or maintenance. When additional information is desired to satisfy a problem not covered sufficiently for user's purpose, please contact your nearest representative.