

**DESCRIPTION**

The Lexington outdoor luminaire displays the old-fashioned charm of traditional lantern-type post top lighting, enhancing any setting with distinctive styling. As a decorative luminaire, the Lexington tastefully complements the architectural and environmental design of parks and roadways.

<b>Catalog #</b>		<b>Type</b>
<b>Project</b>		
<b>Comments</b>		<b>Date</b>
<b>Prepared by</b>		

**SPECIFICATION FEATURES**

**Construction**

**TOP:** Hinged die-cast aluminum top with cupola cover. **SCREWS:** Captive retaining screw. **HOUSING:** Die-cast aluminum base housing. Standard color is black. Other finish colors available. Consult your Streetworks representative. 1" ANSI wattage/source label.

**Optics**

**REFRACTOR:** Injection molded acrylic refractor panels.

**Electrical**

**SOCKET:** Vertical: Base up standard on Type II, III and V. Horizontal: Available with Type II and III horizontal reflector. Mogul-base porcelain socket is field adjustable on horizontal only. 50-150W Metal Halide is medium-base socket standard. **STARTER:** Plug-in starter. **TERMINAL BLOCK:** Terminal block standard.

**Mounting**

Self-aligning pole-top fitter fits 2-3/8" and 3" O.D. tenons. Square headed 1-1/4" polymer coated mounting bolts.

**Finish**

Cast components finished in a Super durable black TGIC polyester powder coat paint, 2.5 mil nominal thickness for superior protection against fade and wear. Optional colors include: bronze, grey and white. RAL and custom color matches available.

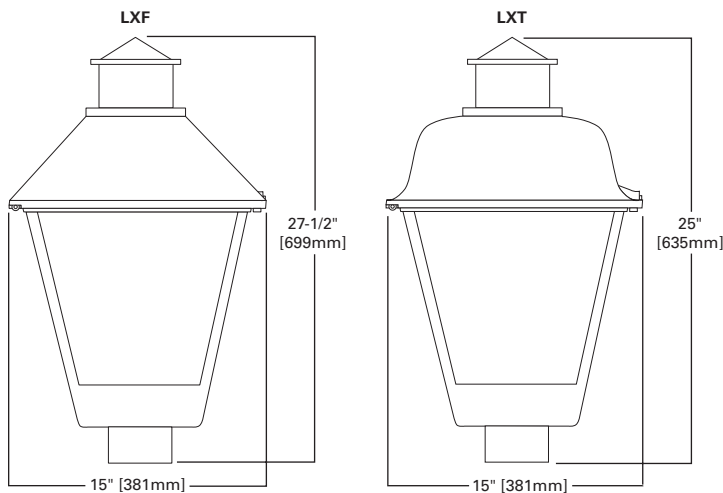


**LXF/LXT  
LEXINGTON**

Pulse Start Metal Halide  
High Pressure Sodium  
Metal Halide

**DECORATIVE POST TOP  
LUMINAIRE**

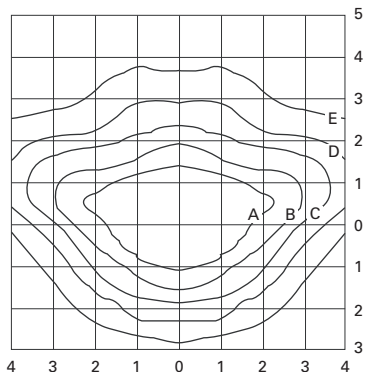
**DIMENSIONS**



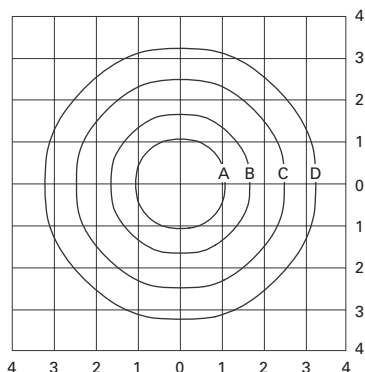
**EPA**  
Effective Projected Area: (Sq. Ft.)  
1.7

**SHIPPING DATA**  
Approximate Net Wt:  
25 lbs. (11 kgs.)

PHOTOMETRICS (COMPLETE IES FILES AVAILABLE AT WWW.COOPERLIGHTING.COM)



**150-Watt HPS**  
16,000-Lumen Lamp  
Type III Semi Cutoff



**100-Watt HPS**  
9,500-Lumen Lamp  
Type V

**Footcandle Table**

Select mounting height and read across for footcandle values of each isofootcandle line. Distance in units of mounting height.

Mounting Height	Footcandle Values for Isofootcandle Lines				
	A	B	C	D	E
<b>150-Watt HPS (Type III)</b>					
10'	2.88	1.44	0.72	0.36	0.28
12'	<b>2.00</b>	<b>1.00</b>	<b>0.50</b>	<b>0.25</b>	<b>0.10</b>
14'	1.50	0.75	0.37	0.18	0.07
<b>100-Watt HPS (Type V)</b>					
10'	1.44	0.72	0.36	0.28	
12'	<b>1.00</b>	<b>0.50</b>	<b>0.25</b>	<b>0.10</b>	
14'	.75	0.37	0.18	0.07	

**ORDERING INFORMATION**

Sample Number: LXF70SR2554

Product Family	Lamp Wattage	Lamp Type	Ballast Type	Voltage	Distribution
LXF=Lexington LXT=Lexington w/Traditional Top	<b>Pulse Start Metal Halide</b> <sup>1</sup> 70=70W 10=100W 15=150W 17=175W  <b>High Pressure Sodium</b> 50=50W 70=70W 10=100W 15=150W  <b>M (Probe Start)</b> <sup>2</sup> 17=175W	P=Pulse Start Metal Halide S=High Pressure Sodium M=Metal Halide	H=Reac./HPF N=Hi. Reac./NPF P=Hi. Reac./HPF R=Hi. Reac./NPF W=CWA	2=120V 0=208V 4=240V 7=277V 8=480V 9=347V W=Multi-Tap wired 120V P=240V w/PCR wired 120V V=Multi-Tap wired 240V N=Multi-Tap wired 277V	<b>Vertical Lamp</b> 22=Type II 33=Type III <sup>3</sup> 55=Type V  <b>Horizontal Lamp</b> 2H=Type II 3H=Type III <sup>3</sup> 4H=Type IV

**Options (Add as Suffix)**

- 1=Single Fuse (120, 277 or 347V)
- 2=Double Fuse, (208, 240 or 480V)
- 4=NEMA Photocontrol Receptacle
- P=Polycarbonate Lens Panels
- T=3/4" Pendant Mount Provision
- N=NEMA Ballast Bracket <sup>4</sup>
- S=Snap Latches for Tool-less Lamp Replacement
- J=Factory Installed Ladder Rest
- U=UL / CSA Listed
- AP=Grey
- BK=Black
- BZ=Bronze
- WH=White

**NOTES:**

1. Medium-base socket standard for 150W and below Metal Halide.
2. Probe Start Metal Halide available for non-US markets only (175W).
3. Requires use of coated lamp to achieve Type III distribution.
4. Available in Reactor HPF and NPF. For Hi Reactance or CWA availability, consult your Streetworks representative.