

## DESCRIPTION

The Lexington LED outdoor luminaire displays the old-fashioned charm of traditional lantern-type post top lighting, enhancing any setting with distinctive styling. As a decorative luminaire, the Lexington LED tastefully complements the architectural and environmental design of parks and roadways. It's patented LightBAR™ technology delivers uniform and efficient illumination to pedestrian and roadway applications.

<b>Catalog #</b>		<b>Type</b>	
<b>Project</b>			
<b>Comments</b>		<b>Date</b>	
<b>Prepared by</b>			

## SPECIFICATION FEATURES

### Construction

**TOP:** Hinged die-cast aluminum top with cupola cover. **SCREWS:** Captive retaining screw. **HOUSING:** Die-cast aluminum base housing. Standard color is black. Other finish colors available. Consult your Streetworks representative. 1" ANSI wattage/source label.

### Optics

Choice of symmetric or asymmetric distributions with refractive lens panels. Clear lens panels also available. 4000K CCT (+/- 275K), minimum 70 CRI.

### Electrical

LED drivers are potted and equipped with heat sinks for optimal performance and prolonged life. Standard drivers feature electronic universal voltage (120V-277V/50-60Hz), greater than 0.90 power factor, and operating temperature range from -30°C to +40°C. Includes surge protection for transient line surges up to 10kV. Standard three-position tunnel-type terminal block. System is rated for 90% lumen maintenance at 60,000 hours (compliant with IESNA TM-21).

### Mounting

Self-aligning pole-top fitter fits 2-3/8" and 3" O.D. tenons. Square headed 1-1/4" polymer coated mounting bolts.

### Finish

Cast components finished in a Super durable black TGIC polyester powder coat paint, 2.5 mil nominal thickness for superior protection against fade and wear. Optional colors include: bronze, grey and white. RAL and custom color matches available.

### Warranty

Five-year warranty.



## LXF/LXT LEXINGTON LED

1 LightBAR=26W (Nominal)

2 LightBARS=52W (Nominal)

LED

DECORATIVE POST TOP  
LUMINAIRE

### CERTIFICATION DATA

UL/cUL Listed  
ISO 9001  
IP66 LightBARS  
LM79 / LM80 Compliant

### ENERGY DATA

**Electronic LED Driver**  
>0.9 Power Factor  
<20% Total Harmonic Distortion  
120-277V 50/60Hz  
-30°C Minimum Temperature  
40°C Ambient Temperature Rating

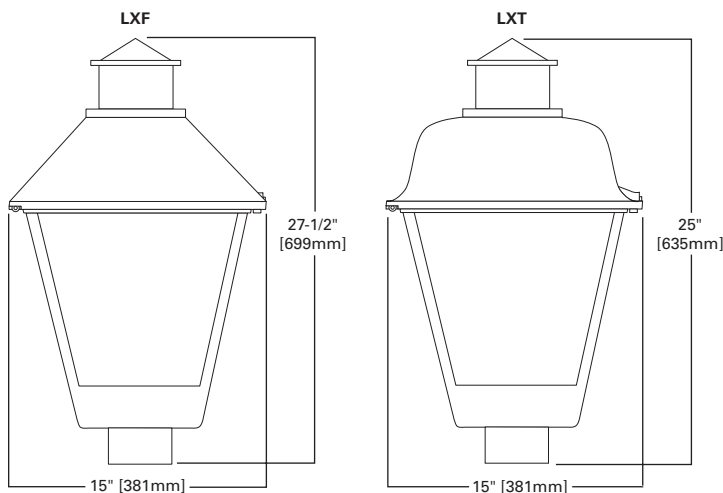
### EPA

**Effective Projected Area:** (Sq. Ft.)  
1.7

### SHIPPING DATA

**Approximate Net Wt:**  
25 lbs. (11 kgs.)

## DIMENSIONS



**POWER AND LUMENS**

Number of LightBARs		E01	E02	F01	F02
LightBAR Type		E Bars (21 LEDs)	E Bars (21 LEDs)	F Bars (7 LEDs)	F Bars (7 LEDs)
Power (Watts)		25W	52W	26W	55W
Optics					
SYM	Lumens	2,469	4,939	2,038	4,077
	BUG Rating	B1-U3-G2	B2-U4-G3	B1-U3-G2	B2-U4-G3
ASYM	Lumens	2,645	5,290	2,183	4,367
	BUG Rating	B2-U3-G2	B3-U3-G3	B1-U3-G1	B2-U3-G2

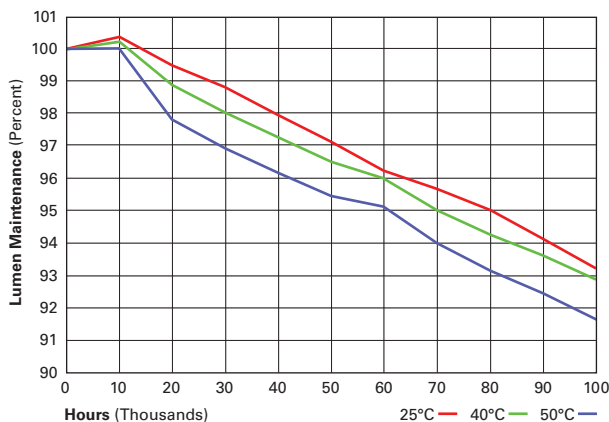
**LUMEN MULTIPLIER**

Ambient Temperature	Lumen Multiplier
10°C	1.02
15°C	1.01
25°C	1.00
40°C	0.99
50°C	0.96

**LUMEN MAINTENANCE**

Ambient Temperature	25,000 Hours*	50,000 Hours*	60,000 Hours*	100,000 Hours	Theoretical L70 (Hours)
25°C	> 99%	> 97%	> 96%	> 93%	> 450,000
40°C	> 98%	> 97%	> 96%	> 92%	> 425,000
50°C	> 97%	> 96%	> 95%	> 91%	> 400,000

\* Per IESNA TM-21 data.



**ORDERING INFORMATION**

Sample Number: LXF-E02-LED-E-U-SYM-4-BK

Product Family <sup>1</sup>	Number of LightBARs <sup>2,3</sup>	Source Type	Driver	Voltage	Distribution
LXF=Lexington LXT=Lexington w/Traditional Top	E01=(1) 21 LED LightBAR E02=(2) 21 LED LightBAR F01=(1) 7 LED LightBAR <sup>4</sup> F02=(2) 7 LED LightBAR <sup>4</sup>	LED=Solid State Light Emitting Diodes	E=Non-Dimming D=Dimming <sup>5</sup>	U=Universal (120-277V)	SYM=Symmetric ASYM=Asymmetric
Options (Add as Suffix)				Accessories (Order Separately)	
7030=70 CRI / 3000K CCT <sup>6</sup> 7050=70 CRI / 5000K CCT <sup>6</sup> 7060=70 CRI / 6000K CCT <sup>6</sup> 8030=80 CRI / 3000K CCT <sup>6</sup> 2L=Two Circuits <sup>7</sup> 4=NEMA Photocontrol Receptacle 4N7=NEMA 7-PIN Photocontrol Receptacle <sup>8</sup> CLP=Clear Lens Panels <sup>9</sup> T=3/4" Pendant Mount Provision S=Snap Latches for Tool-less Light Replacement J=Factory Installed Ladder Rest U=UL/CSA Listed HSS=Factory Installed House Side Shield <sup>10</sup> AP=Grey BK=Black BZ=Bronze WH=White				OA1222=10kV Surge Replacement Module	

- NOTES:**
- Customer is responsible for engineering analysis to confirm pole and fixture compatibility for all applications. Refer to our white paper WP513001EN for additional support information.
  - LED LightBAR powered by 350mA.
  - Standard 4000K CCT and nominal 70 CRI.
  - Consult factory for F-bar photometric data.
  - Must specify 4N7 option.
  - Consult factory for lead times and multiplier.
  - Low-level output varies by bar count. Consult factory. Requires two LightBARs.
  - Must specify dimming driver.
  - Only available in symmetric optical distribution. Consult factory for photometric data.
  - One per LightBAR. Will considerably reduce lumen output.