

SPECIFY SEAL COLOR	
Black	(J1D101)
Beige	(J1D102)
Gray	(J1D103)
Off White	(J1D104)
Bright White	(J1D105)

101-A09-025 SYSTEM

Joint Width		Movement ±			
		Horizontal		Vertical	
US	mm	US	mm	US	mm
1"	25	1/4"	6	1/4"	6

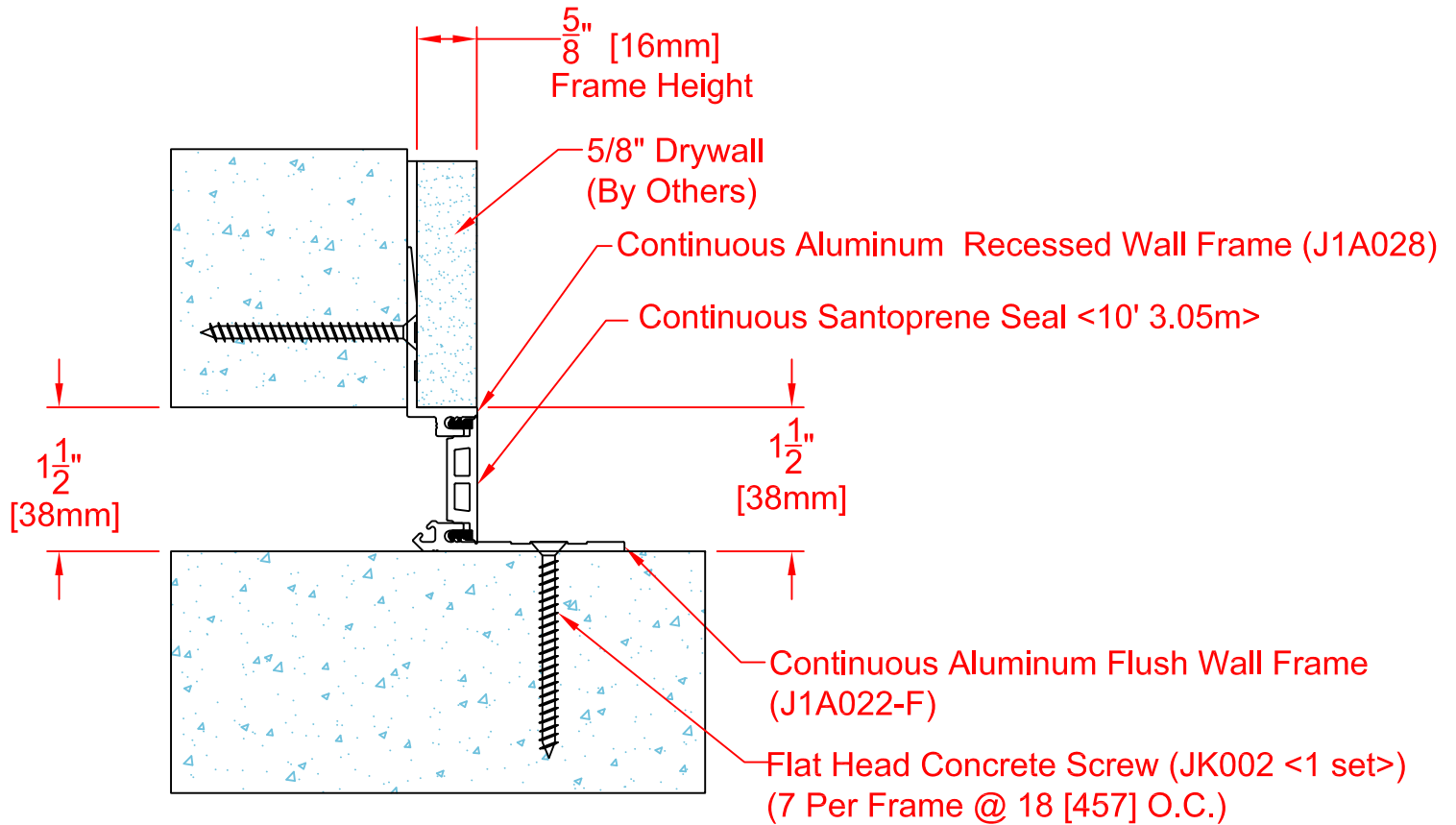
Aluminum Finish-204-R1 Clear Anodized

JOINTMASTER[®]
EXPANSION JOINT SYSTEMS

DATE: 1-30-02
SCALE: 1:2
DOC: CADJM.060/Rev2

APPLICATION-
FLUSH MOUNT WALL/CORNER - WALL/CEILING CONDITION
FOR 5/8" FINISH

inpro[®]



SPECIFY SEAL COLOR	
Black	(J1D151)
Beige	(J1D152)
Gray	(J1D153)
Off White	(J1D154)
Bright White	(J1D155)

101-A09-038 SYSTEM

Joint Width		Movement ±			
		Horizontal		Vertical	
US	mm	US	mm	US	mm
1-1/2"	38	3/8"	10	3/8"	10

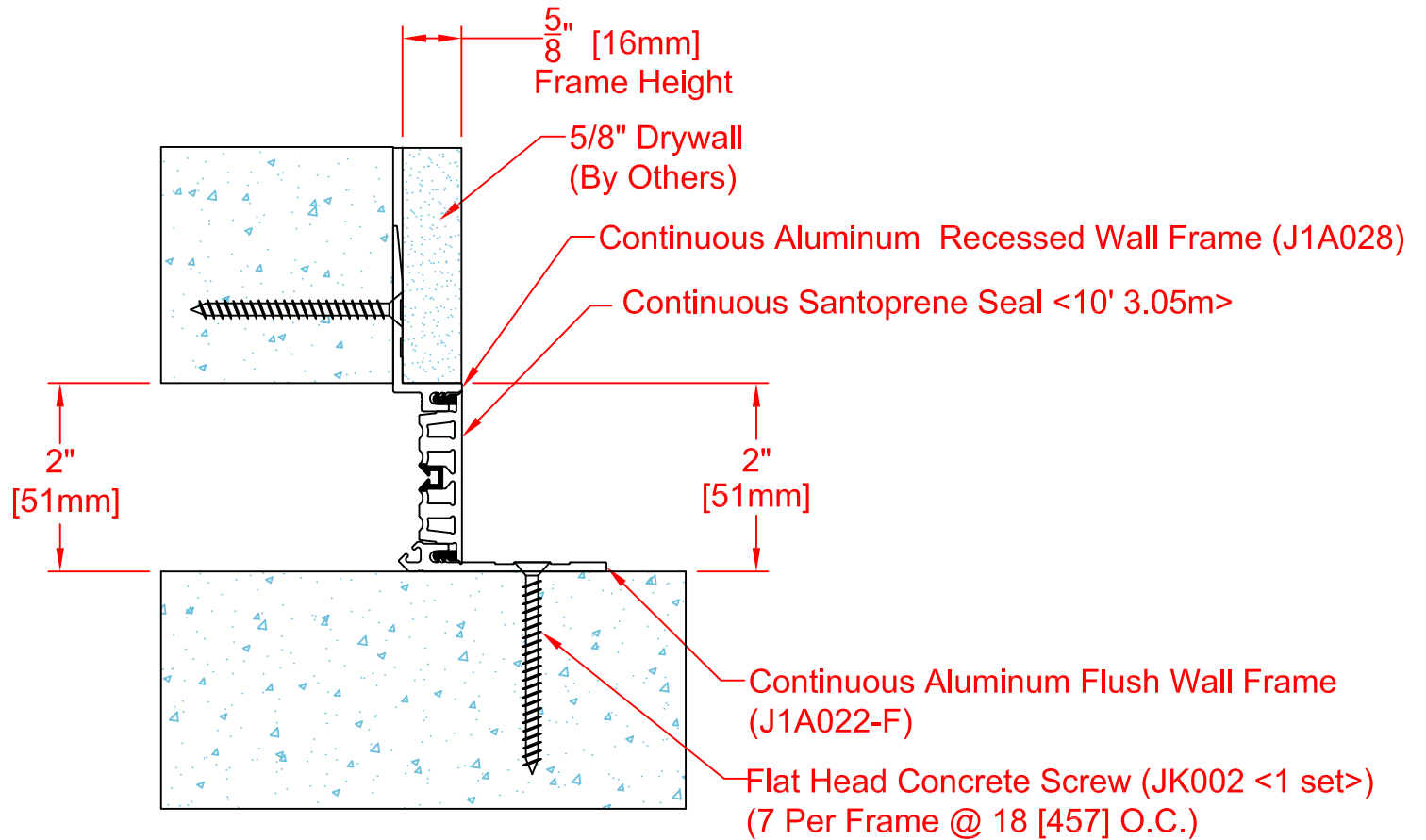
Aluminum Finish-204-R1 Clear Anodized

JOINTMASTER™
EXPANSION JOINT SYSTEMS

DATE: 1-30-02
SCALE: 1:2
DOC: CADJM.060/Rev2

APPLICATION-
FLUSH MOUNT WALL/CORNER - WALL/CEILING CONDITION
FOR 5/8" FINISH

inpro.



SPECIFY SEAL COLOR	
Black	(J1D201)
Beige	(J1D202)
Gray	(J1D203)
Off White	(J1D204)
Bright White	(J1D205)

101-A09-050 SYSTEM

Joint Width		Movement ±			
		Horizontal		Vertical	
US	mm	US	mm	US	mm
2"	51	1/2"	13	1/2"	13

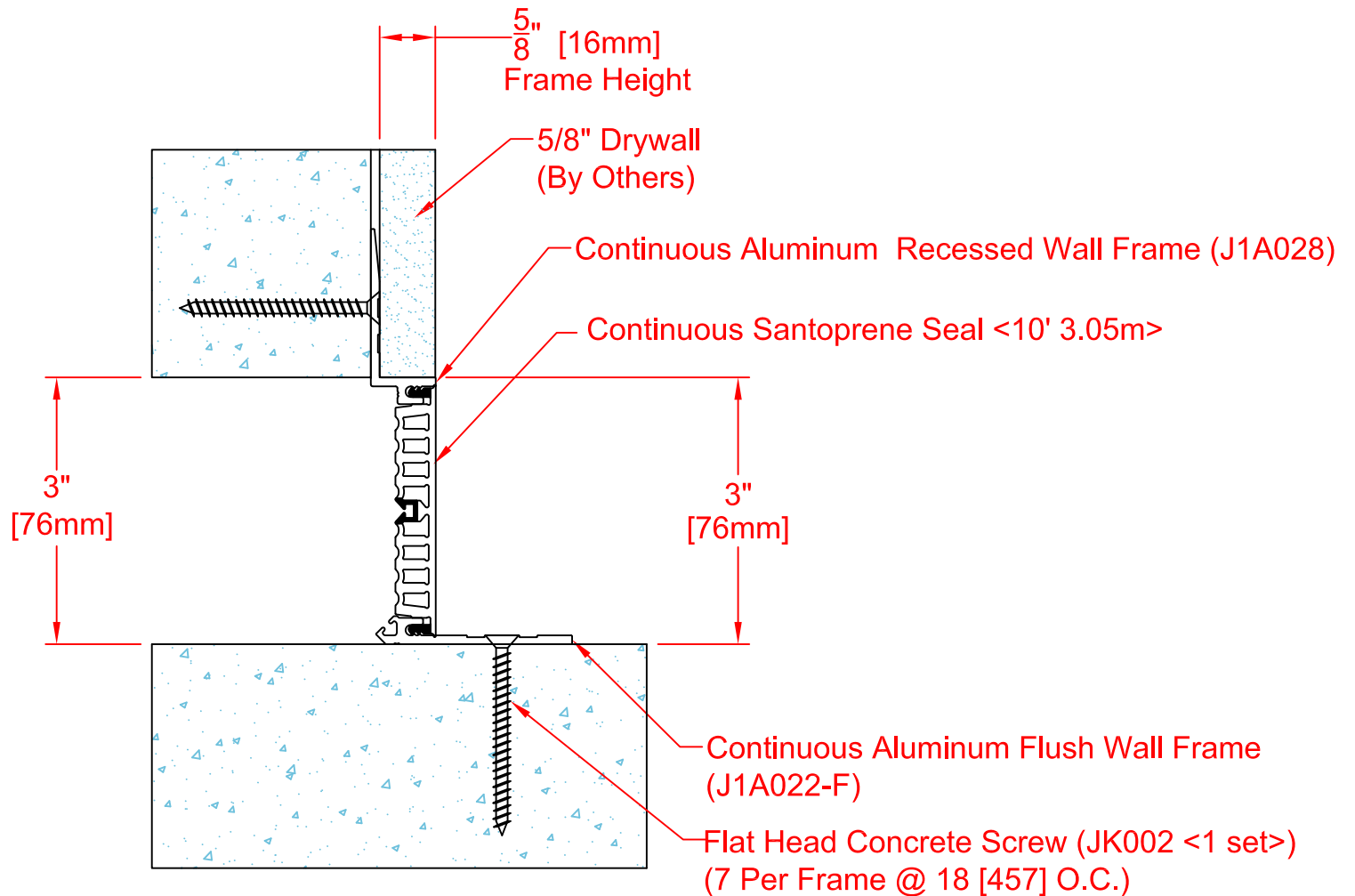
Aluminum Finish-204-R1 Clear Anodized

JOINTMASTER™
EXPANSION JOINT SYSTEMS

DATE: 1-30-02
SCALE: 1:2
DOC: CADJM.060/Rev2

APPLICATION-
FLUSH MOUNT WALL/CORNER - WALL/CEILING CONDITION
FOR 5/8" FINISH

inpro.



SPECIFY SEAL COLOR	
Black	(J1D301)
Beige	(J1D302)
Gray	(J1D303)
Off White	(J1D304)
Bright White	(J1D305)

101-A09-075 SYSTEM

Joint Width		Movement ±			
		Horizontal		Vertical	
US	mm	US	mm	US	mm
3"	76	3/4"	19	3/4"	19

Aluminum Finish-204-R1 Clear Anodized

JOINTMASTER™
EXPANSION JOINT SYSTEMS

DATE: 1-30-02
SCALE: 1:2
DOC: CADJM.060/Rev2

APPLICATION-
FLUSH MOUNT WALL/CORNER - WALL/CEILING CONDITION
FOR 5/8" FINISH

inpro.