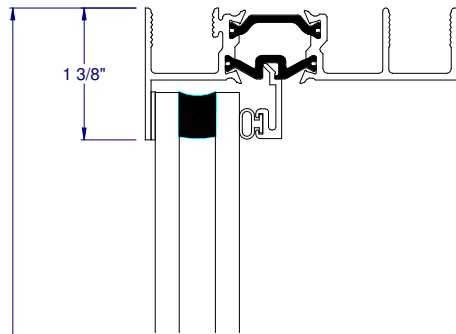
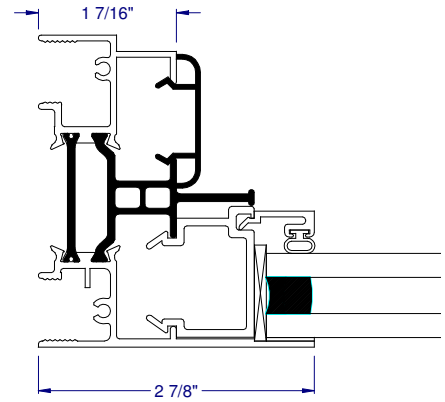


① FIXED HEAD

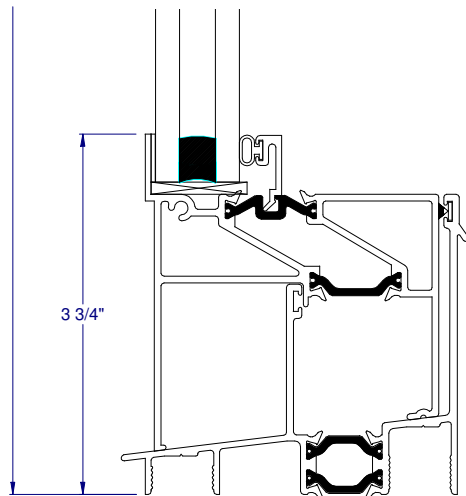


⑩ FIXED JAMB



WINDOW HEIGHT

⑨ FIXED SILL



⑪ H-MULL TRANSITION MULLION

